



INSTALLATION INSTRUCTIONS

V90167

ACCURUS SQUARE TRIM BASED SERIES

Model: ACM510 with AC5101-5103

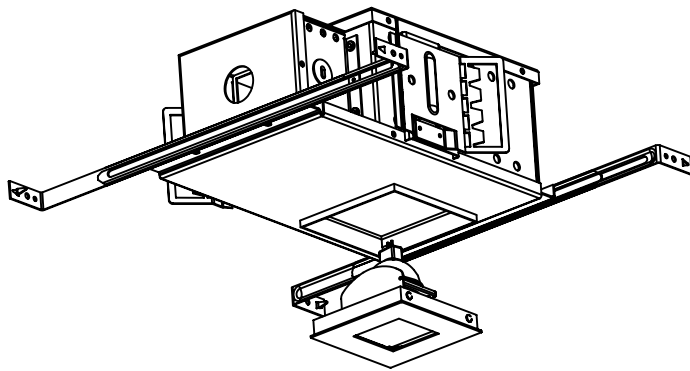


Avoid Fire or Electric Shock

- *Installation Instructions for qualified electricians only.
- *Install per National Electrical Code and local regulations.
- *Read Installation Instructions completely before installation.
- *Failure to follow Installation Instructions may void warranties.



THIS PRODUCT MUST BE INSTALLED IN ACCORDANCE WITH THE APPLICABLE INSTALLATION CODE BY A PERSON FAMILIAR WITH THE CONSTRUCTION AND OPERATION OF THE PRODUCT AND THE HAZARDS INVOLVED.



Fixture Mounting

BUTTERFLY MOUNTING:

1. Fixture comes equipped with Universal Butterfly Mounting and can take common 1 inch or 1-1/2 inch Black Iron or Galvanized Mounting Channels (Supplied By Others). See Fig. 1.
2. Position Fixture so the Mounting Channels lie on top of ceiling runners.
3. Fasten Mounting Channels securely to ceiling runners.
4. Secure Mounting Channels to Universal Butterfly Mounting Brackets with wire tie downs.
5. Adjust elevation of Fixture so Adjustable Frame Edge will be flush with surface of finished Ceiling by loosening two (2) 1/4 inch Hex Screws on both Universal Butterfly Mounting Brackets. See Fig. 1.
6. Tighten two (2) 1/4 inch Hex Screws on both Universal Butterfly Mounting Brackets to secure Fixture. See Fig. 1.
7. Install Ceiling drywall up to Adjustable Frame on Fixture. See Fig. 2.
8. Position Adjustable Frame to be in plane with Ceiling by sliding up or down. See Fig. 2.
9. Apply caulking or mudding compound around perimeter edge of Adjustable Frame and drywall cutout.

Fixture Mounting (Con't)

HANGER BAR MOUNTING:

1. Maximum Hanger Bar rafter span: 22-1/2 inches.
2. Spread Hanger Bars to fit span of rafters.
3. Hammer Flanges to seat Hanger Bar Tabs in rafters. See Fig. 1.
4. Secure Hanger Bars using one (1) nail in Mounting Hole in each Flange.
5. Install Ceiling drywall up to Adjustable Frame on Fixture. See Fig. 2.
6. Position Adjustable Frame to be in plane with Ceiling by sliding up or down. See Fig. 1 & Fig. 2.
7. Apply caulking or mudding compound around perimeter edge of Adjustable Frame and drywall cutout.

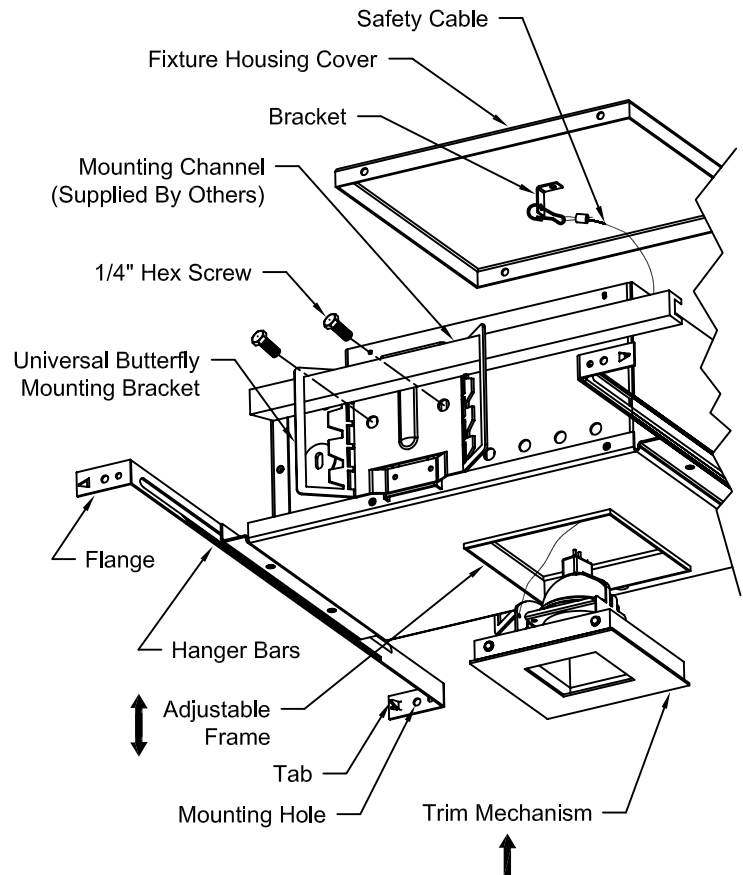


Figure 1



INSTALLATION INSTRUCTIONS (CON'T)

ACCURUS SQUARE TRIM BASED SERIES

Model: ACM510 with AC5101-5103

V90167

Fixture Mounting (Con't)

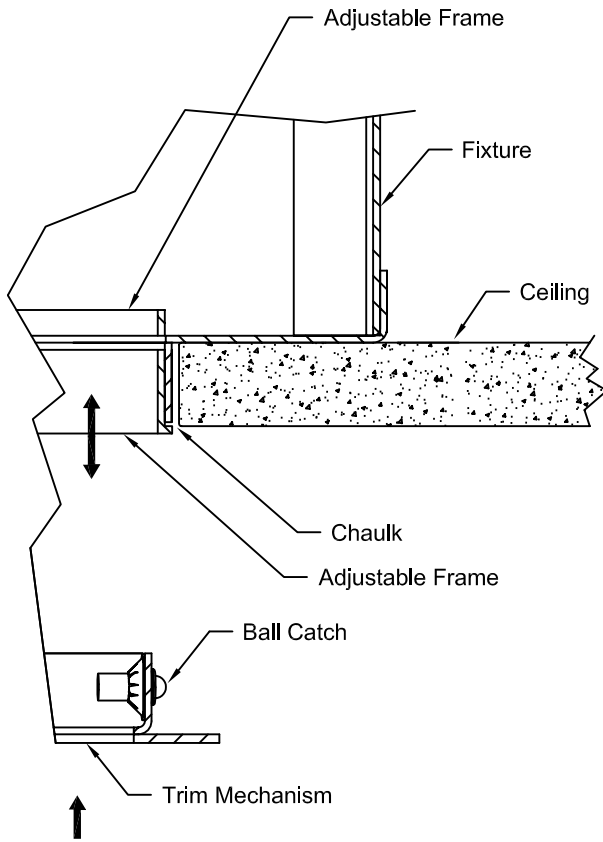


Figure 2

Trim Installation

1. Connect Safety Cable attached to Banana Bracket on Trim Mechanism (See Fig. 1 & Fig. 4) to Fixture by inserting Safety Cable through opening in Fixture and inserting Snap Hook on end of Safety Cable into hole in Bracket attached to inside of Fixture Housing Cover (See Fig. 1).
2. Install Trim Mechanism into Fixture by pressing firmly to engage Ball Catches. See Fig. 2.

Lamp Installation

*Lamp Bracket accommodates from one (1) to three (3) accessories.

1. Remove Trim Mechanism from Fixture.
2. Slide out Lamp and/or Accessories from under Bracket Arm to remove. See Fig. 3.
3. Replace Lamp and/or Accessories as necessary.
4. Replace Trim Mechanism into Fixture.

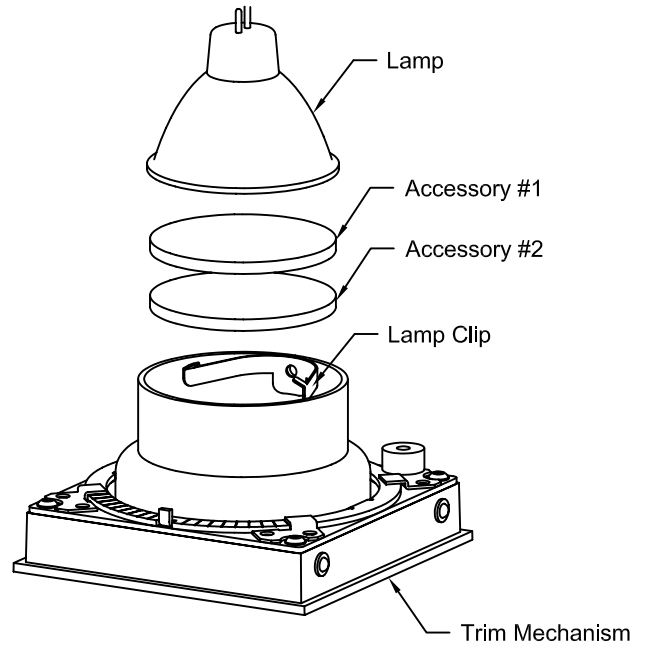


Figure 3



INSTALLATION INSTRUCTIONS (CON'T)

ACCURUS SQUARE TRIM BASED SERIES

Model: ACM510 with AC5101-5103

V90167

90° Rotational Lamp Adjustment

1. Remove Trim Mechanism from Fixture.
2. Loosen Lock Knob.
3. Rotate Rotational Adjustment Ring until Lamp is in desired position using Angle Indicators for reference.
4. Tighten Lock Knob.
5. Replace Trim Mechanism into Fixture.

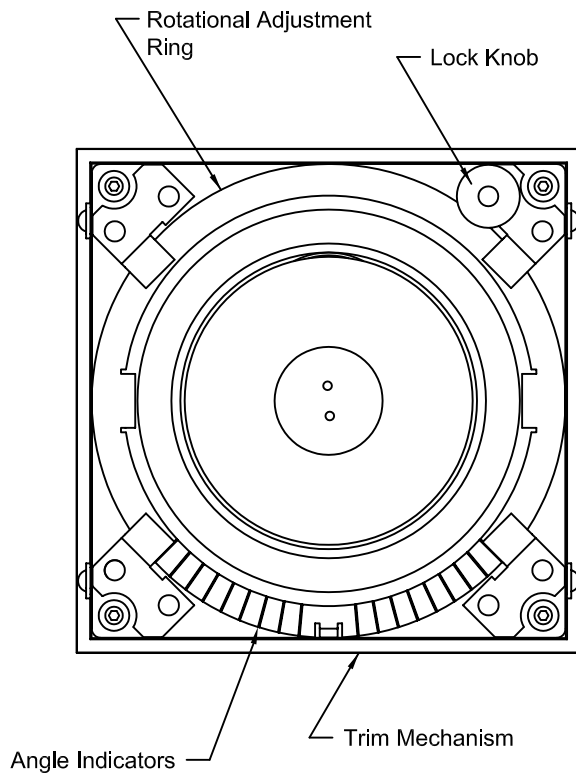


Figure 4