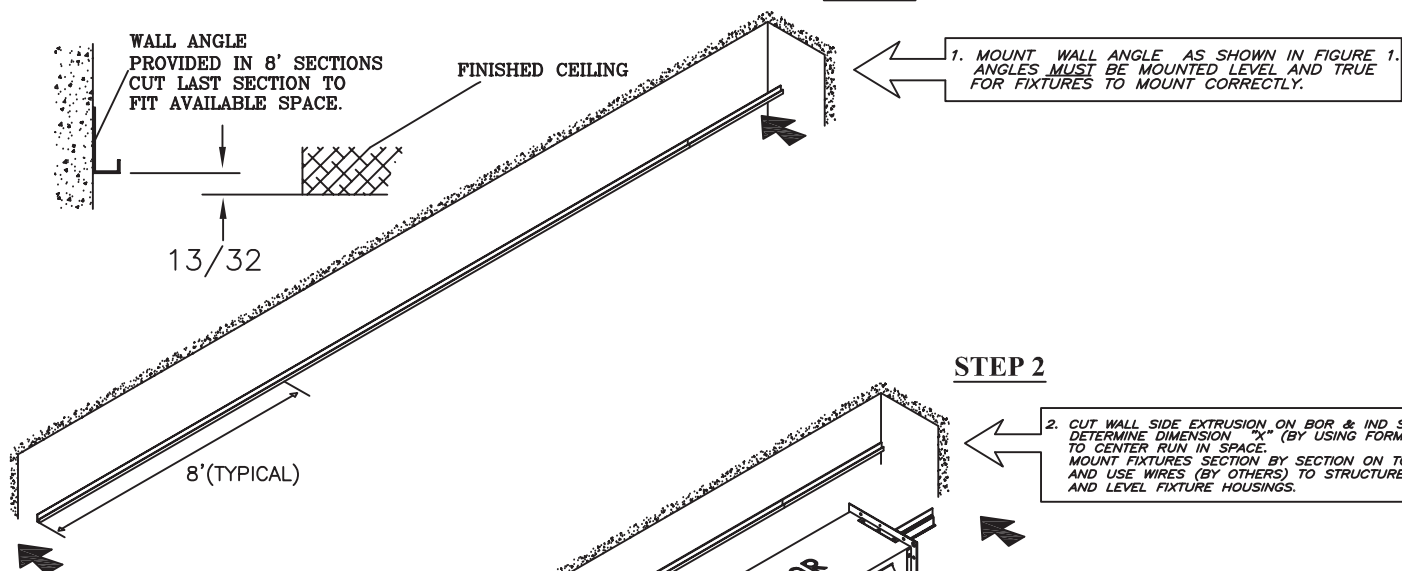
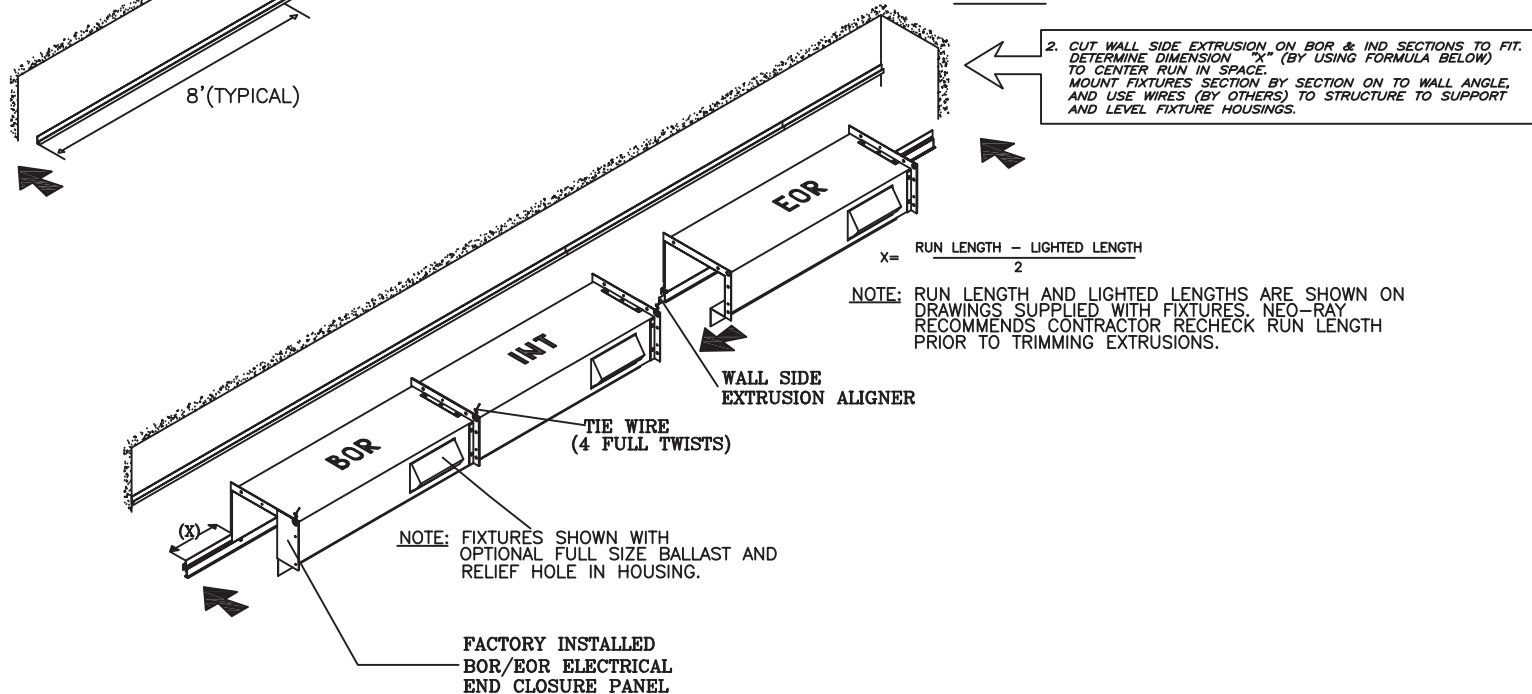


NOTE: FIXTURES MUST BE INSTALLED PRIOR TO CEILING

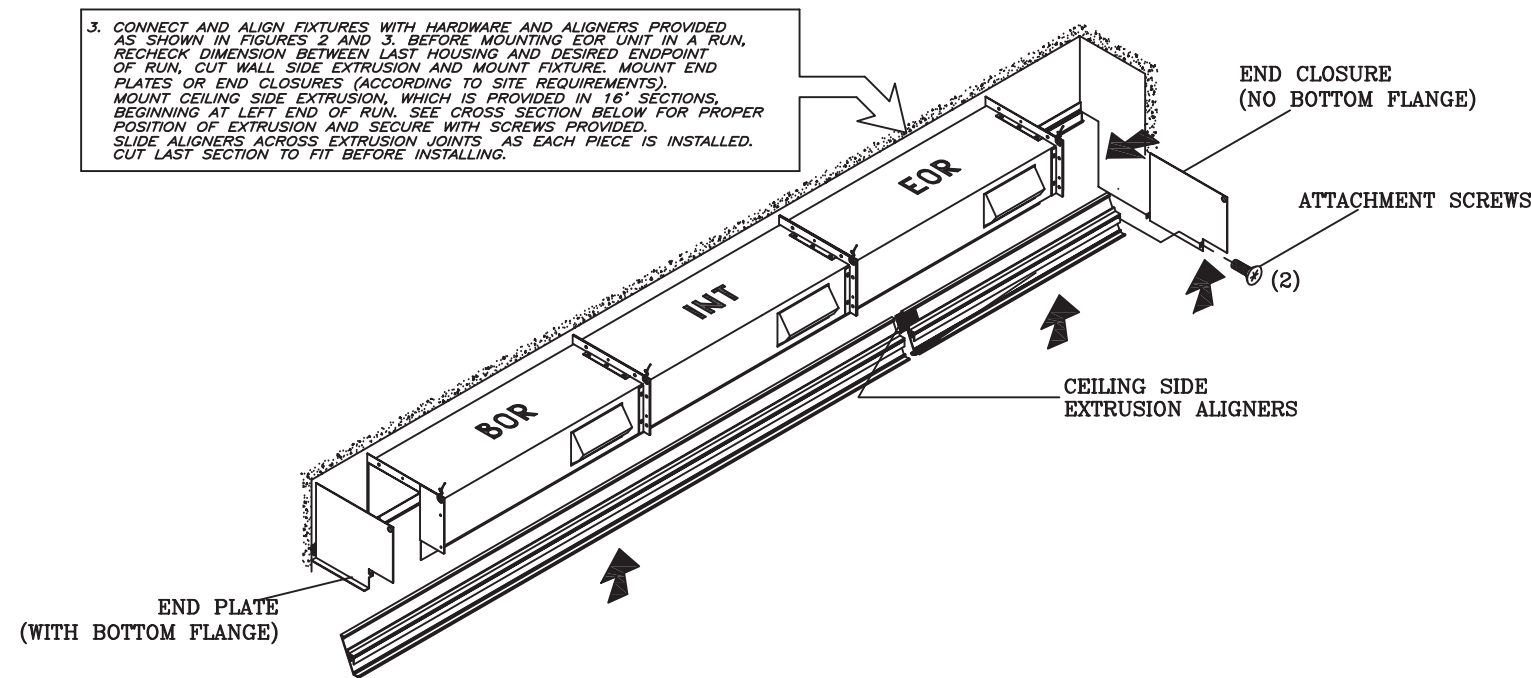
STEP 1



STEP 2



STEP 3



STEP 4

4. INSTALL PENTAFLEX SUPPORT STRAP (FOR UNLIT SECTIONS ONLY) AS SHOWN IN FIGURE 4. STRAP SHOULD BE POSITIONED SLIGHTLY FAVORING THE END OF RUN. FOR EXTENSIONS OF LESS THAN 3" THE STRAP MAY BE DISCARDED. INSTALL AND CONNECT WIRING TRAYS/REFLECTORS INTO HOUSINGS AS REQUIRED. CHECK CROSS SECTIONS AT RIGHT FOR PROPER INSTALLATION.

