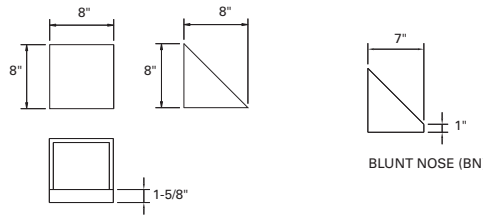




## 684-WP SERIES

684-WP Wedge Wall Sconce features bronze construction.



Sample Number: 684-WP-CFL/1-277V-GM

| Series                    | Lamp                           | Voltage  | Finish <sup>2,3</sup>   | Options        |
|---------------------------|--------------------------------|--|---|----------------|
| 684-WP =Wedge Wall Sconce | CFL/1 (26/32W-Triple) INC/1/75 | 120V<br>277V <sup>1</sup><br>347V <sup>1</sup> | NBZ (standard), BK, BM, CC, DP, GM, GRM, GY, SCL, SM, SNL, VG, WH | BN<br>C<br>TGL |

Notes:  
 1 Available with CFL only.  
 2 Premium TGIC polyester powder coat paint, 2.5 mil nominal thickness for superior protection against fade and wear.  
 3 Bronze will weather to a dark bronze patina.

**MATERIAL**  
 Painted aluminum or solid bronze.  
 1/8" white acrylic diffuser.

**BALLAST**  
 Integral electronic HPF, multi-volt 120/277V (347V Canada), thermally protected with end-of-life circuitry to accommodate the specified lamp wattage.

**INSTALLATION**  
 Supplied with a mounting back for a standard 4" J-box or stucco ring. Optional rear (through wall) feed conduit mounting.

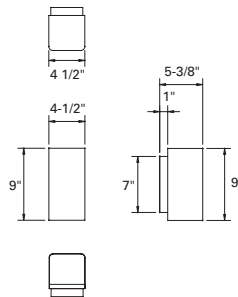
**LAMP/SOCKET**  
 One (1) 26W or 32W (GX24q-3) triple CFL lamp or one (1) 75W A-19 lamp. CFL socket injection molded plastic. INC socket fired ceramic rated for 660W-250V. Lamps furnished by others.

**FINISH AND OPTIONS**  
 See page 1020 for finish details and options.



## 685-WP SERIES

685-WP square cylinder in bronze with direct illumination.



Sample Number: 685-WP-CFL/1/26-277V-GM

| Series                  | Lamp                             | Voltage  | Finish <sup>2,3</sup>                                   | Options |
|-------------------------|----------------------------------|--|---|---------|
| 685-WP =Square Cylinder | CFL/1/26<br>CFL/1/32<br>INC/1/75 | 120V<br>277V <sup>1</sup><br>347V <sup>1</sup> | NBZ (standard), BK, BM, CC, DP, GM, GRM, GY, SM, VG, WH | DL      |

Notes:  
 1 Available with CFL only.  
 2 Premium TGIC polyester powder coat paint, 2.5 mil nominal thickness for superior protection against fade and wear.  
 3 Bronze will weather to a dark bronze patina.

**MATERIAL**  
 Solid bronze with an enclosed top [Dark Sky Compliant] and open bottom, wet location. Open top and open bottom, damp location (only) option (DL).

**BALLAST**  
 Integral electronic HPF multi-volt 120/277V (347V Canada), thermally protected with end-of-life circuitry to accommodate specified lamp wattage.

**INSTALLATION**  
 Supplied with a mounting back for a standard 4" J-box or stucco ring. Surface mount conduit power feed - Contact factory.

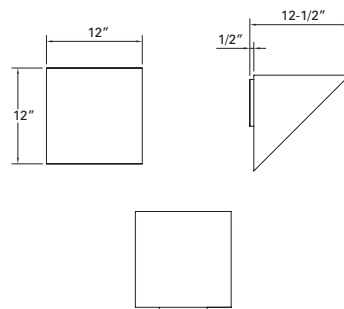
**LAMP/SOCKET**  
 One (1) 26W (G24q-3) quad tube CFL or 32W (GX24q-3) lamp or one (1) 75W A-19 lamp. CFL socket injection molded plastic. INC socket fired ceramic rated for 660W-250V. Lamps furnished by others.

**FINISH AND OPTIONS**  
 See page 1020 for finish details and options.



## 687-WP SERIES

687-WP Classic Geometric Wedge shape with indirect illumination.



Sample Number: 687-WP-MH/1/70-277V-GM

| Series                           | Size      | Lamp  | Voltage  | Finish <sup>3,4</sup>   | Options |
|----------------------------------|-----------|---|--|---|---------|
| 687-WP = Classic Geometric Wedge | 9"<br>12" | CFL/1 (26/32/42W-Triple)<br>CFL/1/13<br>CFL/2/26<br>INC/1/150<br>MH/1/50<br>MH/1/70<br>MH/1/100 | 120V<br>277V <sup>1</sup><br>347V <sup>2</sup> | NBZ (standard), BK, BM, CC, DP, GM, GRM, GY, SCL, SM, SNL, VG, WH | C       |

Notes:  
 1. CFL and MH only.  
 2. Available with CFL only.  
 3. Premium TGIC polyester powder coat paint, 2.5 mil nominal thickness for superior protection against fade and wear.  
 4. Bronze will weather to a dark bronze patina.

**MATERIAL**  
 Painted aluminum or solid bronze. Internal lamp assembly is cast aluminum. Clear acrylic lense (CFL) or clear tempered glass lense (INC & MH).

**BALLAST**  
 Integral electronic HPF, multi-volt 120/277V (347V Canada), thermally protected with end-of-life circuitry to accommodate 26W, 32W or 42W lamps. Integral metal halide ballast is electronic HPF multi-volt 120/277V for the specified lamp wattage. 347V ballast for metal halide - Contact factory.

**FINISH AND OPTIONS**  
 See page 1020 for finish details and options.

**INSTALLATION**  
 Supplied with a mounting back for a standard 4" J-box or stucco ring. Optional rear (through wall) feed conduit mounting. Surface mount conduit power feed Contact factory.

**LAMP/SOCKET**  
 One (1) 26W, 32W (GX24q-3) or 42W (GX24q-4) 4-pin triple tube CFL lamp, one (1) 50W, 70W or 100W ED-17 metal halide lamp or one (1) 150W A-19 lamp. CFL socket injection molded plastic. Metal halide socket is ceramic pulse-rated, 4KV. INC socket fired ceramic rated for 660W-250V. Lamps furnished by others.