

DESCRIPTION

674 Luminous Wall Sconce features horizontal trim bars with a vertical fin detail and is ADA compliant. Design options, such as perforated metal, colored acrylic, and different trim bar configurations are available.

Catalog #		Type
Project		
Comments		Date
Prepared by		

SPECIFICATION FEATURES

Material

Painted, natural or plated solid aluminum with a 1/8" matte white acrylic panel. Open top and bottom with a regressed aluminum perf shield.

Finish

Standard: Natural Aluminum (NA). [Sustainable Design] Premium: Matte White (MW), Lacquered Satin Aluminum (SAL), Polished Brass (PB), Satin Brass (SB), Satin Copper (SCP), Polished Copper (PCP), Satin Nickel (SN), Polished Nickel (PN), Oxidized Brass (OBRS), Clear Anodized Aluminum (CAL). Premium: White (WH), Black (BK), Grey (GY), Silver Metallic (SM), Gold Metallic (GM), Bronze Metallic (BM), Dark Platinum (DP), Graphite Metallic (GRM), Lacquered Satin Chrome (SCL), Lacquered Satin Nickel (SNL) or Custom Color (CC).

Optics

Refer to www.shaperlighting.com for complete photometrics.

Ballast

Integral electronic HPF, multi-volt 120/277V (347V Canada), thermally protected with end-of-life circuitry to accommodate the specified lamp wattage.

Lamp/Socket

31": Two (2) 14W T5 linear miniature bi-pin fluorescent lamps.
43": Two (2) 21W T5 linear miniature bi-pin fluorescent lamps.
55": Two (2) 28W T5 linear miniature bi-pin fluorescent lamps. Fluorescent socket injection molded plastic. Lamps furnished by others.

Installation

Supplied with a universal circular strap for a standard 4" J-box or plaster ring.

Options

Hand-Painted Faux Alabaster Acrylic Diffuser (FD), Modified Length - Contact Factory, Alternative Trim Bars or Perf Accent Design - Contact Factory, Damp Location (DL): All Painted

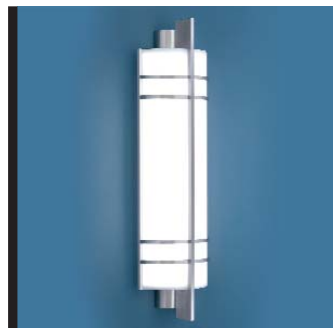
Finishes, Lacquered Satin Chrome (SCL), Lacquered Satin Nickel (SNL) and Clear Anodized Aluminum (CAL) finishes only, "Green Glass" Acrylic (GGA), Integrated Emergency Battery (IEM) - 55" only, REM - Remote Emergency Battery. Energy Star Rating - Consult factory.

Labels

U.L. and C.U.L approved for indoor and damp location. See options for damp location finishing requirements. ADA compliant.

Modifications

Shaper's skilled craftspeople with their depth of experience offer the designer the flexibility to modify standard wall luminaires for project specific solutions. Contact the factory regarding scale options, unique finishes, mounting, additional materials/colors, or decorative detailing.



674 SERIES

Interior Wall Luminaire
Luminous Sconce



ORDERING INFORMATION

Sample Number: 674-55-T5/2/28-277V-PCP

Series 674 =Interior Luminous Wall Sconce	Size 31" 43" 55"	Lamp T5/2/14 ¹ T5/2/21 ² T5/2/28 ³	Voltage 120V 277V 347V	Finish BK =Black BM =Bronze Metallic CC =Custom Color DP =Dark Platinum GM =Gold Metallic GRM =Graphite Metallic GY =Grey MW =Matte White NA =Natural Aluminum OBRS =Oxidized Brass PB =Polished Brass PCP =Polished Copper PN =Polished Nickel SAL =Lacquered Satin Aluminum SB =Satin Brass SCP =Satin Copper SM =Silver Metallic SN =Satin Nickel SNL =Lacquered Satin Nickel WH =White	Options DL =Damp Location DM =CFL Dimming Ballast GGA =Green Glass Acrylic IEM =Integral Emergency Ballast ^{2,3} REM =Remote Emergency Battery ⁴ FD =Hand Painted Faux Alabaster Diffuser

Notes:

- ¹ Available in 31".
- ² Available in 43".
- ³ Available in 55".
- ⁴ Supplied by others.

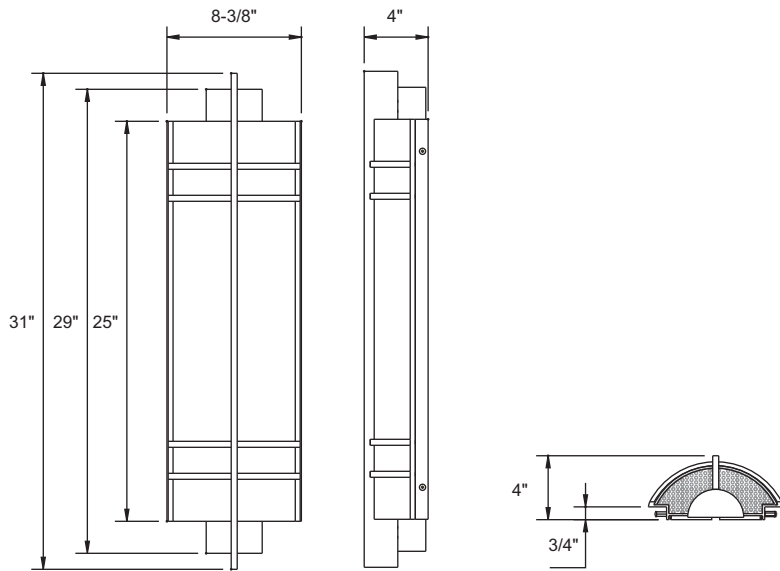
ADA AMERICAN DISABILITIES ACT (ADA)

Shaper offers a large selection of ADA interior and exterior wall luminaires. ADA requires all fixtures below 68" to have a maximum projection of 4".

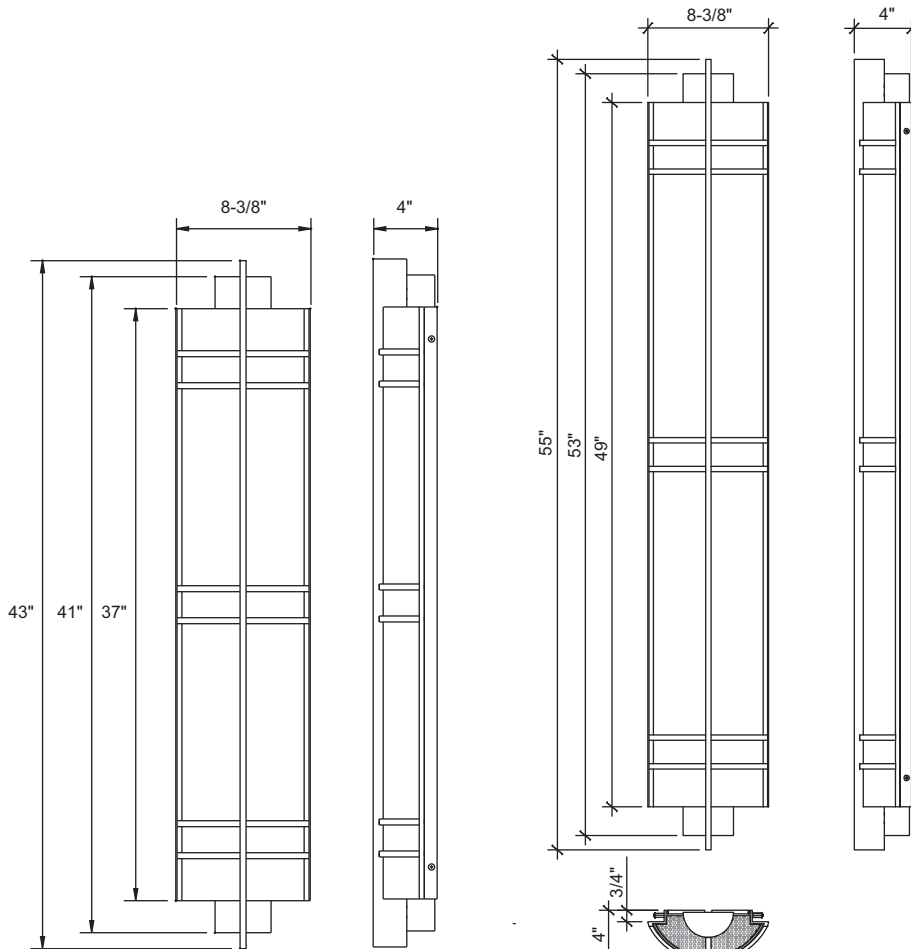
SUSTAINABLE DESIGN

Shaper has a long-standing history of offering environmentally-friendly fixtures. The copper and bronze alloys used in our exterior luminaires feature up to 98% recycled content, contribute less undesirable air emissions compared to painted aluminum and are easy to recycle.

Refer to the Icon Legend
Link on shaperlighting.com.



674
31" STANDARD



674
43" STANDARD

674
55" STANDARD