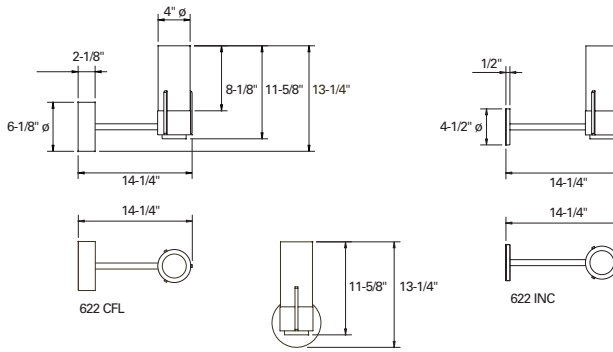


SHAPER™



622 SERIES

622 Arm Mount Luminous Cylinder features Three Accent Trim Bars.



Sample Number: 622-CFL/1/18-347V-PCP

Series	Lamp	Voltage	Finish	Options
622=Arm Mount Luminous Cylinder	CFL/1/18	120V	NA (standard),	DL
	CFL/1/26	277V ¹	CC, MW, OBRS, PB,	DM ²
	INC/1/40	347V ¹	PC, PCP, PN, SAL, SB, SC, SCL, SCP, SN, SNL	REM ³ FC

Notes:
1 Available with CFL only.
2 Consult the factory for available options.
3 Supplied by others.

MATERIAL
Solid brass or aluminum housing and decorative trim. Matte white acrylic 4" dia. luminous cylinder.

BALLAST
Integral electronic HPF, multi-volt 120/277V (347V Canada), thermally protected with end-of-life circuitry to accommodate the specified lamp wattage.

INSTALLATION
Supplied with a universal circular strap for a standard 4" J-box or plaster ring.

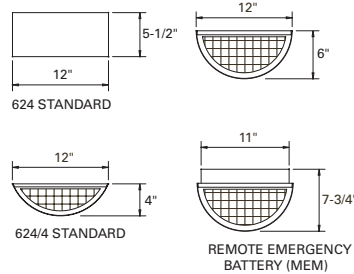
LAMP/SOCKET
One (1) 18W (G24q-2) or 26W (G24q-3) 4-pin quad CFL lamp or one (1) 40W A-19 lamp. CFL socket injection molded plastic. INC socket fired ceramic rated for 660W-250V. Lamps furnished by others.

FINISH AND OPTIONS
See page 1020 for finish details and options.



624 & 624/4 SERIES

624 Wall Bracket features a clean modern shape with direct/indirect illumination. The 624/4 is ADA compliant.



Sample Number: 624-CFL/2/13-347V-PCP

Series	Lamp	Voltage	Finish	Options
624=Wall Bracket	CFL/1/13 ¹	120V	MW (standard),	BLN
624/4=ADA Compliant Wall Bracket	CFL/1/26 ¹	277V ³	CC, PB, PC, PCP,	CL
	CFL/2/13 ²	347V ³	PN, RSS, SB, SC, SCL, SCP, SN, SNL	DL
	CFL/2/26 ²			DM ⁴
	INC/1/75			MEM REM

Notes:
1 Available with 624/4 Series.
2 Available with 624 Series.
3 Available with CFL only.
4 Consult the factory for available options.

MATERIAL
Solid brass or aluminum housing and decorative trim. Matte white acrylic 4" dia. luminous cylinder. Optional frosted white acrylic bottom lense or white aluminum cube cell top louver.

BALLAST
Integral electronic HPF, multi-volt 120/277V (347V Canada), thermally protected with end-of-life circuitry to accommodate the specified lamp wattage.

INSTALLATION
Supplied with a universal circular strap for a standard 4" J-box or plaster ring.

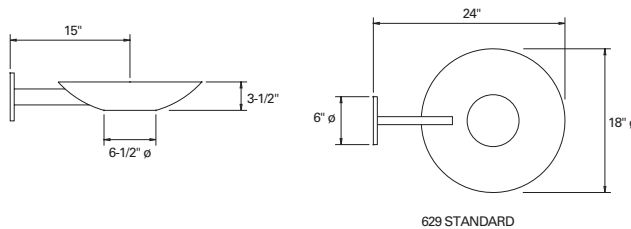
LAMP/SOCKET
624: Two (2) 13W (2GX7) 4-pin low wattage CFL or 26W (G24q-3) 4-pin quad CFL lamps, or one (1) 75W A-19 lamp.
624/4: One (1) 13W (2GX7) 4-pin low wattage CFL or 26W (G24q-3) 4-pin quad CFL lamp, or one (1) 75W A-19 lamp. CFL socket injection molded plastic. INC socket fired ceramic rated for 660W-250V. Lamps furnished by others.

FINISH AND OPTIONS
See page 1020 for finish details and options.



629 SERIES

629 Indirect Bowl with an open Acrylic Ring Diffuser and an arm mount bracket.



Sample Number: 629-T5C/1/40-347V-PCP

Series	Lamp	Voltage	Finish	Options
629=Indirect Bowl w/ Acrylic Ring Diffuser	INC/3/60	120V	NA (standard),	DL
	T5C/1/40	277V ¹ 347V ¹	CC, MW, PB, PC, PCP, PN, SAL, SB, SC, SCL, SCP, SN, SNL	REM ²

Notes:
1 Available with CFL only.
2 Supplied by others.

MATERIAL
Aluminum arm and wall canopy. Aluminum or cold rolled steel bowl. Matte white acrylic ring diffuser.

BALLAST
Integral electronic HPF, multi-volt 120/277V (347V Canada), thermally protected with end-of-life circuitry to accommodate the specified lamp wattage.

INSTALLATION
Supplied with a mounting plate with an integral tenon for a standard 4" J-box or plaster ring.

LAMP/SOCKET
One (1) 40W T5 circular fluorescent lamp three (3) 60W T-10 lamps, or two (2) 75W A-19 lamps. CFL socket injection molded plastic. INC socket fired ceramic rated for 660W-250V. Lamps furnished by others.

FINISH AND OPTIONS
See page 1020 for finish details and options.