

DESCRIPTION

618 Direct/Indirect Luminous Bowl available in two sizes with an arm mount bracket.

Catalog #		Type
Project		
Comments		Date
Prepared by		

SPECIFICATION FEATURES

Material

Aluminum arm and wall canopy. Matte white acrylic bowl and optional Cone Diffuser (CD).

Finish

Standard: Natural Aluminum (NA). [Sustainable Design] Premium: Matte White (MW), Lacquered Satin Aluminum (SAL), Satin Copper (SCP), Polished Copper (PCP) or Custom Color (CC).

Optics

Refer to www.shaperlighting.com for complete photometrics.

Ballast

Integral electronic HPF, multi-volt 120/277V (347V Canada), thermally protected with end-of-life circuitry to accommodate the specified lamp wattage.

Lamp/Socket

One (1) 26W or 32W (GX24q-3) 4-pin triple CFL lamp or one (1) 100W A-19 lamp. CFL socket injection molded plastic. INC socket fired ceramic rated for 660W-250V. Lamps furnished by others.

Installation

Supplied with a universal circular strap for a standard 4" J-box or plaster ring.

Options

Dimming Ballast - Contract the factory for ballast options (DM), Acrylic Matte White Cone Diffuser (CD), Remote Emergency Battery - Supplied by others (REM), Damp Location (DL): All Painted finishes only. Energy Star Rating - Consult factory. MRI Applications (INC only) - Contact Factory.

Labels

U.L. and C.U.L approved for indoor and damp location. See options for damp location finishing requirements.

Modifications

Shaper's skilled craftspeople with their depth of experience offer the designer the flexibility to modify standard wall luminaires for project specific solutions. Contact the factory regarding scale options, unique finishes, mounting, additional materials/colors, or decorative detailing.



618 SERIES

Interior Wall Luminaire
Starter Collection
Direct/Indirect
Luminous Bowl with an
Arm Mount Bracket



ORDERING INFORMATION

Sample Number: 618-18-INC/1/100-120V-PCP

Series 618 =Luminous Bowl w/ Arm Mount Bracket	Size 14" 18"	Lamp CFL/1 (26/32W-Triple) INC/1/100	Voltage 120V 277V ¹ 347V ¹	Finish <u>Standard</u> NA=Natural Aluminum <u>Premium</u> CC=Custom Color MW=Matte White PCP=Polished Copper SAL=Lacquered Satin Aluminum SCP=Satin Copper	Options CD= Acrylic Cone Diffuser DL=Damp Location DM=CFL Dimming Ballast ² REM=Remote Emergency Battery ³

Notes:

- ¹ Available with CFL only.
- ² Consult the factory for available options.
- ³ Supplied by others.

STARTER COLLECTION

Shaper's exclusive Starter Collection fixtures are featured throughout the Shaper product line. The concept of offering highly styled, affordable fixtures was introduced over fourteen years ago and has become one of our fastest growing lines. The design premise, basic construction, clean lines and unadorned shapes are highly desirable in modern architectural environments.

SUSTAINABLE DESIGN

Shaper has a long-standing history of offering environmentally-friendly fixtures. The copper and bronze alloys used in our exterior luminaires feature up to 98% recycled content, contribute less undesirable air emissions compared to painted aluminum and are easy to recycle.

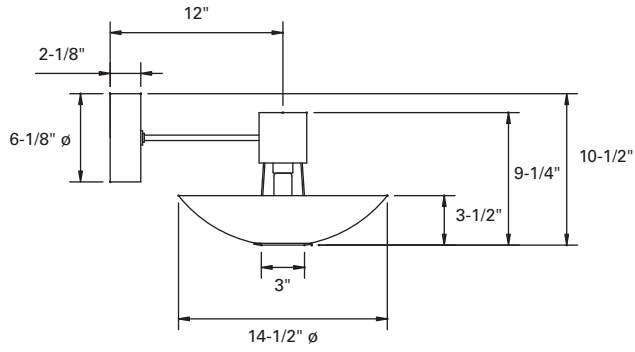
MAGNETIC RESONANCE IMAGING (MRI)

Lighting fixtures for MRI facilities are specialized and unique, requiring non-ferrous construction. Fluorescent fixtures cannot be used due to the ferrous parts in ballasts and lampholders. Modified incandescent fixtures meet the requirements.

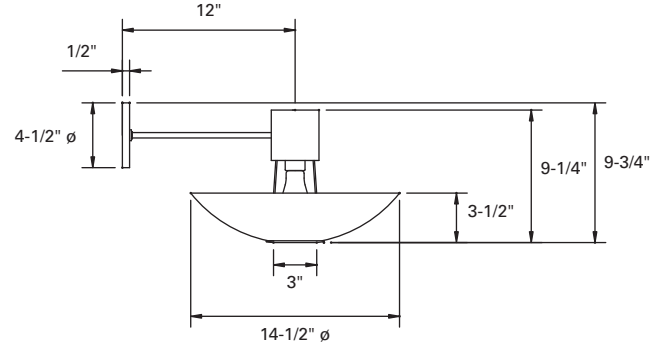
ENERGY STAR

Shaper now offers a wide variety of fixtures that can be provided with an Energy Star Rating.

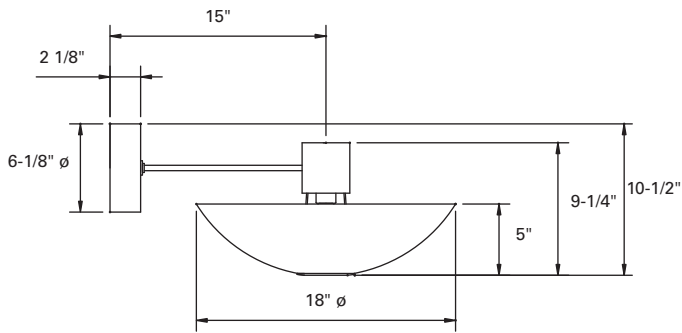
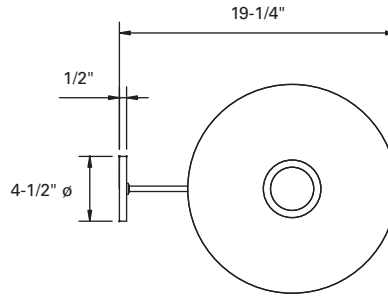
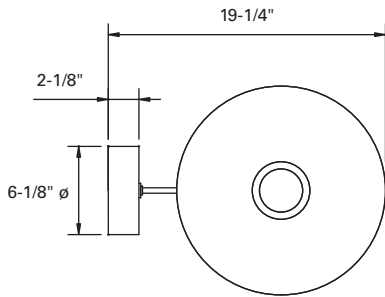
Refer to the Icon Legend Link on shaperlighting.com.



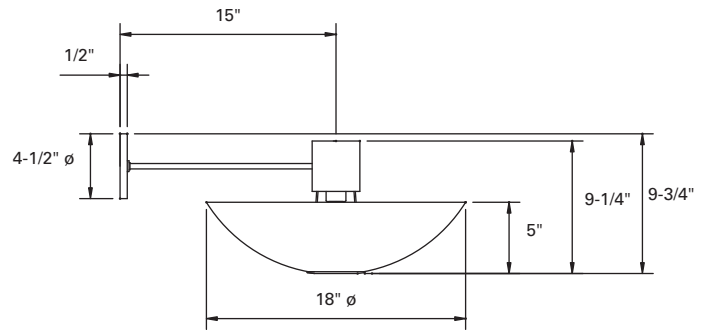
14" ϕ CFL STANDARD



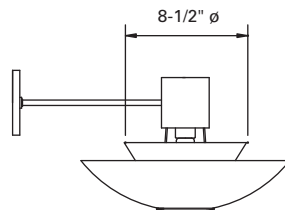
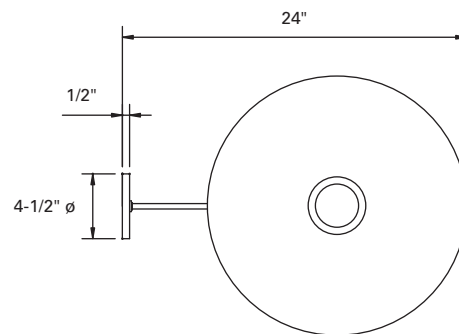
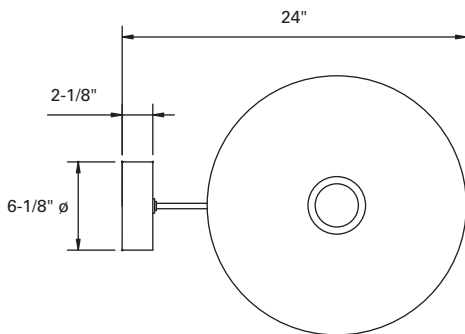
14" ϕ INC STANDARD



18" ϕ CFL STANDARD



18" ϕ INC STANDARD



CONE DIFFUSER (CD)