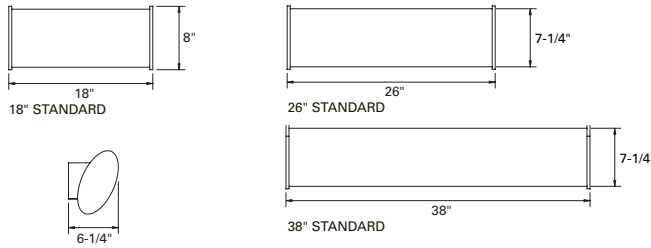


SHAPER™



608 SERIES

608 Angled Luminous Wall Sconce features a streamlined geometric design with soft, uniform illumination.

Sample Number: 608-26-INC/3/60-120V-OBRS

Series	Size	Lamp	Voltage	Finish	Options
608= Angled Luminous Sconce	18"	CFL/2/27 ¹	120V	MW (standard),	DL
	26"	INC/2/60 ¹	277V ⁴	CC, OBRS, PB,	IEM ^{2,3}
	38"	INC/3/60 ²	347V ⁴	PC, PCP, PN, SAL, SB, SC, SCL, SCP, SN, SNL	REM ^{1,5}
		T5/2/14 ²			
		T5/2/21 ³			
		T8/2/25 ³			

Notes:

- 1. Available in 18".
- 2. Available in 26".
- 3. Available in 38".
- 4. Available with CFL only.
- 5. Supplied by others.

MATERIAL

Painted or plated solid aluminum with a 1/8" matte white frosted acrylic diffuser.

BALLAST

Integral electronic HPF, multi-volt 120/277V (347V Canada), thermally protected with end-of-life circuitry to accommodate the specified lamp wattage.

INSTALLATION

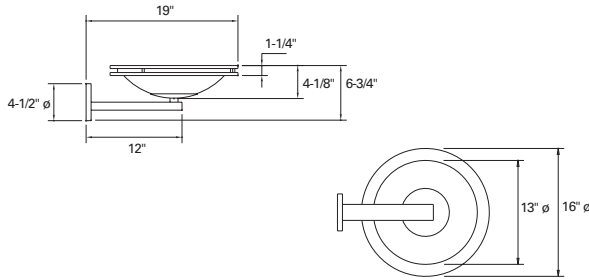
Supplied with a mounting back for a standard 4" J-box or plaster ring. The 26" and 38" luminaires are provided with extra mounting holes to provide secure attachment to the wall.

LAMP/SOCKET

18": Two (2) 27W (2G11) high lumen CFL lamps or two (2) 60W A-19 lamps.
26": Two (2) 14W mini bi-pin linear fluorescent T-5 lamps or three (3) 60W A-19 lamps.
38": Two (2) 21W mini bi-pin linear T-5 lamps, two (2) 25W bi-pin linear fluorescent T8 lamps or four (4) 60W A-19 lamps. CFL socket injection molded plastic. INC socket fired ceramic rated for 660-250V. Lamps furnished by others.

FINISH AND OPTIONS

See page 1020 for finish details and options.



610 SERIES

610 Direct/Indirect Two Ring Luminous Bowl with an arm mount bracket.

Sample Number: 610-CFL/2/26-347V-PCP

Series	Lamp	Voltage	Finish	Options
610=Two Ring Bowl w/ Arm Mount	CFL/2/26	120V	NA (standard),	DL
	INC/2/100	277V ¹	CC, MW, PB, PC, PCP, SAL, SB, SC, SCL, SCP	DM ²
		347V ¹		REM ³
				FB

Notes:

- 1 Available with CFL only.
- 2 Consult the factory for available options.
- 3 Supplied by others.

MATERIAL

Aluminum arm and wall canopy. Aluminum or cold rolled steel rings with matte white acrylic bowl.

BALLAST

Integral electronic HPF, multi-volt 120/277V (347V Canada), thermally protected with end-of-life circuitry to accommodate the specified lamp wattage.

INSTALLATION

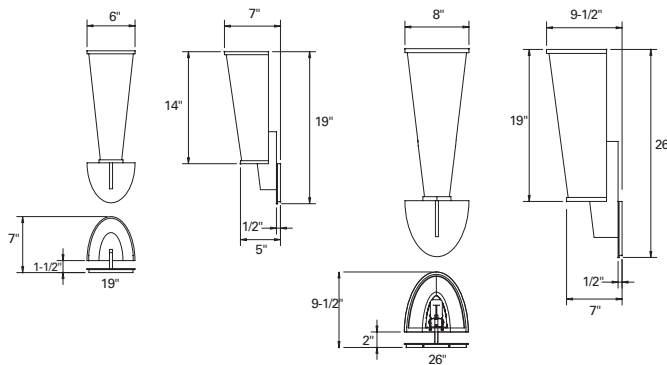
Supplied with a mounting plate for a standard 4" J-box or plaster ring.

LAMP/SOCKET

Two (2) 26W (G24q-3) 4-pin quad CFL lamps or two (2) 100W A-19 lamps. CFL socket injection molded plastic. INC socket fired ceramic rated for 660W-250V. Lamps furnished by others.

FINISH AND OPTIONS

See page 1020 for finish details and options.



611 SERIES

611 Tapered Flute is available in two sizes.

Sample Number: 611-26-CFL/1/39-347V-PCP

Series	Size	Lamp	Voltage	Finish	Options
611=Tapered Flute	19"	CFL/1/27 ¹	120V	NA (standard),	DL
	26"	CFL/1/39 ²	277V ³	CC, MB, MW, PB,	DM ^{4,5}
		INC/1/60	347V ³	PC, PCP, PN, SAL, SB, SC, SCL, SCP, SN, SNL	REM ⁶
		INC/2/60 ¹			FD

Notes:

- 1 Available in 19". 2 Available in 26". 3 Available with CFL only.
- 4 Not available in 27W. 5 Consult the factory for available options. 6 Supplied by others.

MATERIAL

Solid aluminum with a formed matte white acrylic diffuser.

BALLAST

Integral electronic HPF, multi-volt 120/277V (347V Canada), thermally protected with end-of-life circuitry to accommodate the specified lamp wattage.

INSTALLATION

Supplied with a universal mounting plate for a standard 4" J-box or plaster ring.

LAMP/SOCKET

19": One (1) 27W (2G11) 4-pin high lumen CFL lamp or two (1) 60W frosted T-10 lamps.
26": One (1) 39W (2G11) 4-pin high lumen CFL lamp or three (2) 60W frosted T-10 lamps. CFL socket injection molded plastic. INC socket fired ceramic rated for 660W-250V. Lamps furnished by others.

FINISH AND OPTIONS

See page 1020 for finish details and options.