

COOPER LIGHTING - LUMARK®



DP AXIO

1 9 2 - 3 6 0 W

Compact Fluorescent

COMPACT FLUORESCENT HIGH-BAY INDUSTRIAL LUMINAIRE

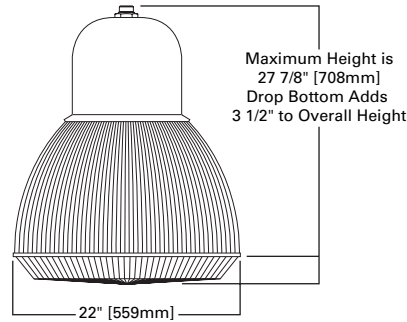
- Mounting hub is tapped with an opening for 3/4" conduit. Ballast cover is easily removed for easy wiring and installation
- The heavy-duty, spun aluminum housing is finished in a white polyester powder coat standard. Other finish colors available
- Compact Fluorescent electronic ballast in 1 or lamp configuration provides up to four (4) switch level control or optional dimming ballast. Compact Fluorescent ballast are electronic, universal voltage 120-277V, less than 10% harmonic distortion, with minimum starting temperature of 0°C for 32, 42W and -30°C (-22°F) for 60 and 120W
- Compact Fluorescent sockets are rotary lock high temperature PBT material and incorporate: 32W GX24q3 or 42W GX24q4. 60 and 120W is a 2G8
- Available with high-efficiency 22" prismatic acrylic refractor or 22" high-reflectance white spun aluminum reflector
- Optional drop bottom and conical bottom refractor or safety glass bottom door
- Approximate net weight: 37 lbs. (16.82 kgs.)

DESCRIPTION

The AXIO Series Luminaire offers unmatched photometric performance with an updated housing style. A wide range of lamp, ballast and optical choices gives the DP series unmatched flexibility and performance capabilities. U.L. listed and CSA certified for damp location standard.

The AXIO Series is perfect for school gymnasiums, multi-purpose rooms, retail stores, auto showrooms, and manufacturing assembly areas.

DIMENSIONS



ORDERING INFORMATION

SAMPLE NUMBER: PLDP-PC22-3/120-E-LL

| | | | | | |
|---|---------------------------------|---|---|--|---|
| Lamp Type PL=Compact Fluorescent | Series DP=AXIO Series | Refractor Type PC22=22" Prismatic Acrylic SC22=22" Spun Aluminum White | Lamp Wattage 6/32=(6) 32W Triple Tube 8/32=(8) 32W Triple Tube 6/42=(6) 42W Triple Tube 8/42=(8) 42W Triple Tube 4/60=(4) 60W PLH 3/120=(3) 120W PLH | Voltage 120V 208V 240V 277V E=Electronic (120-277V) | Options & Accessories (See Below) |
|---|---------------------------------|---|---|--|---|

Options ²

PC3=3' Cord with NEMA Plug (No Switching)³
 PC3/4C=3' Cord with NEMA Plug (Dual Switching)³
 PC3/5C=3' Cord with NEMA Plug (Triple Switching)³
 C3=3' Cord with No Plug. Must be used with FH-1 or FL-1 (No Switching)³
 FH-1=Fixture Hook
 FL-1=Fixture Loop
 SCF=3' Aircraft Safety Cable
 CF/EM=External Battery Backup⁴
 DS=Dual Switching³
 TS=Triple Switching³
 QS=Quad Switching³
 I42EB=Internal 42W Emergency Ballast
 LL=Lamps Included⁵

Accessories ⁶

FH-1=Fixture Hook
 FL-1=Fixture Loop
 PC3=3' Cord with NEMA Plug³
 CB22=Conical Bottom Lens for 22" Refractor
 DB22=Drop Lens for 22" Refractor
 WGD22=Wire Guard for PD or PC 22" Refractor (Not compatible with SGB22)⁷
 WG22/SGB=Wire Guard with Glass Lens for Refractor (Available for PD or PC only)⁷
 SGB22=Safety Glass Bottom for PD 22" Refractor (Not compatible with WG22)⁷
 FWG22/WDB=Full Wire Guard for use with DB22 Drop Lens and PD 22 Refractor⁷

| Refractor | Lamp Wattage | Ambient Environment | Supply Wire (Min.) |
|-----------|--------------|---------------------|--------------------|
| DP | 192-360W | 25°C * 40°C | 90°C |

NOTES: * 3/120W PL-H Lamps.

NOTES: 1 Specify voltage with emergency ballast, plug or MWS options. 2 Add as suffix in the order shown. 3 Non-switched products provided with standard 3' cord and NEMA plug (120V-L5-15P, 208V-L6-15P, 240V-L6-15P, 347V-L37-20P, AND 480V-L8-20P). Dual and Triple switching available with cord and plug option in 120 or 277V only. "TS" switching (120V-L21-20P and 277V-L22-20P), "DS" switching (120V-L15-20P and 277V-L16-20P). Consult your Cooper Lighting representative for wiring and circuit details. 4 Marked ballast leads pulled out of housing for easy identification. Pendant mount only. Not available with cord and plug options. 5 Specified for lamp to ship with order. Lamp is specified separate from luminaire. Lamp is Cooper designated product based on luminaire requirements. 6 Order separately. 7 Wire guards and lens enclosures should be used for any application needing additional protection such as gymnasiums. 8 Add as suffix in the order shown. 9 Specifications and dimensions subject to change without notice.