



MPWA

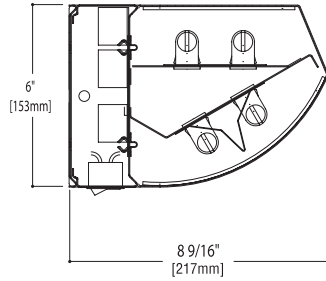
5 1 W - 2 1 6 W
Fluorescent



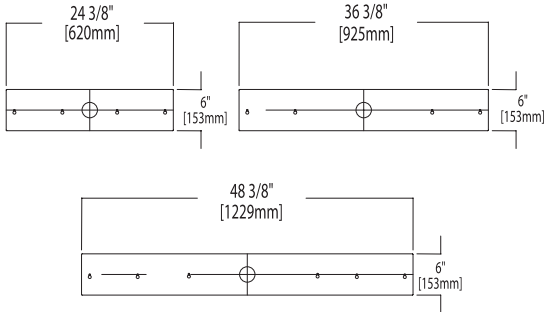
**ARCHITECTURAL
HEALTHCARE
WALL MOUNTED
LUMINAIRE**

- Up light: .125" thick, prismatic K12 pattern, acrylic lens is standard; Down light: .125" thick, contoured drape formed, prismatic K12 pattern, acrylic lens is standard
- Nickel-plated thumbscrews are standard (requires no tools to remove lens assembly)
- Housing is 18 gauge, die-formed, cold rolled steel with seam-welded ends
- MPWA uses T8 Linear Fluorescent or T5 HO Linear Fluorescent
- Ballast Options include T8 Electronic Instant Start, T5 Electronic Programmed Start and T8 Magnetic-HPF
- High gloss white polyester powder coat finish is standard on exterior housing; interior reflector is high reflectance white
- UL/CUL Listed for Damp Locations

DIMENSIONS



MOUNTING



ORDERING INFORMATION

SAMPLE NUMBER: MPWA-2/232-120-EB83-EXLL-PS4

<p>Series MPWA = Medical Patient Wall Architectural</p>	<p>Voltage 120=120V 277=277V 347=347V UNV=120V through 277V</p>	<p>Ballast 3 Electronic Ballasts are Standard EB83=T8 EB53=T5 LEOC8=Magnetic energy savings ballast (T8 only, min. 3 per fixture) ¹</p>	<p>Switching Control Options PICK ONE BELOW or (if no switching option is specified, fixture ships with leads left unwired for switch wiring completed in field) PS4=4 position pull chain ² PS1D=2 position pull chain (controls bottom lamp only, upper lamps on separate circuit) ² LVCP=Low voltage controller, patient controlled (patient controls all lamps) ¹ LVCF=Low voltage controller, facility controlled as needed ¹</p>	<p>Options EBP=Emergency battery pack ¹ (no red, yellow, or green charge light will be provided) FNL=Fluorescent Night Light, 2-pin (G23 Base), 7 or 9w twin tube (Lamps by others). GCO=Grounded Convenience Outlet, right side mounted facing unit ² (Non Hospital Grade Only) GCOL=Grounded Convenience Outlet, left side mounted facing unit ² GLR=Fuse and holder NRLR=White LED Nurse Chart Reading Light, right side mounted facing unit ² NRLL=White LED Nurse Chart Reading Light, left side mounted facing unit ² RIF=Radio Interference Filter. For use with T8 magnetic ballast only (1 per ballast) ¹ SFP=Machine Screws, Philips Head Natural Stainless Steel SF1=Tamper-proof Torx™-Head Fasteners</p>
<p>Lamp Type 24" Nom. Length T8 Fluorescents 1/217=(3) 17W Lamps 1 Up, 2 Down 2/217=(4) 17W Lamps 2 Up, 2 Down</p>	<p>T5HO Fluorescents 1/239=(3) 39W Lamps 1 Up, 2 Down 2/239=(4) 39W Lamps 2 Up, 2 Down</p>	<p>Exam Light EXLR=Exam Light, Switch Right Side Mounted Facing Unit. EXLL=Exam Light, Switch Left Side Mounted Facing Unit.</p>	<p>Finish Options (If not specified, fixture ships with standard high gloss white finish) MF=Metallic Finish DP=Dark Platinum IH=Almond Finish Custom Colors are available (specify or supply sample, requires a flat fee, consult customer service) SSN=Stainless Steel Natural (brushed finish) SSP=Stainless Steel Painted (Standard high gloss white or specify finish) (i.e. SSP-DP)</p>	
<p>36" Nom. Length T8 Fluorescents 1/225=(3) 25W Lamps 1 Up, 2 Down 2/225=(4) 25W Lamps 2 Up, 2 Down</p>	<p>T8 Fluorescents 1/232=(3) 32W Lamps 1 Up, 2 Down 2/232=(4) 32W Lamps 2 Up, 2 Down</p>			
<p>48" Nom. Length T5HO Fluorescents 1/254=(3) 54W Lamps 1 Up, 2 Down 2/254=(4) 54W Lamps 2 Up, 2 Down</p>	<p>T5HO Fluorescents 1/254=(3) 54W Lamps 1 Up, 2 Down 2/254=(4) 54W Lamps 2 Up, 2 Down</p>			

Notes: For additional options, consult your Cooper Lighting Representative.

Special Claims: When mounting, installer must verify fixture weight in selecting proper anchoring; when not anchoring directly to stud. Refer to installation instructions.

The depicted luminaire is not rated for hazardous locations or adverse environments. Illustrations and photographs depicted in this literature are representative examples only. Consult the appropriate certified and licensed lighting engineering and installation professionals for site-specific applications of products and codes.

Specifications and dimensions subject to change without notice.

¹ Due to internal size limitations, some configurations and options are not available with other options. Consult customer service. ² 120V only

DESCRIPTION

Fail-Safe's MPWA series combines a multi-function, wall mounted luminaire with the architectural styling of today's healthcare environment. Through innovative features, the MPWA accommodates for multiple applications throughout the healthcare environment while offering an appealing and highly styled design for all architectural tastes. The MPWA luminaire has been designed with the patient and healthcare professional in mind.