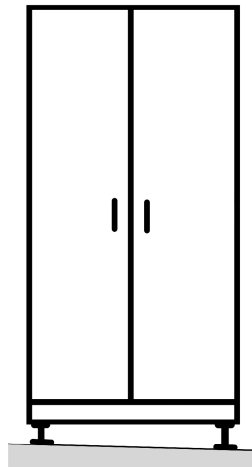
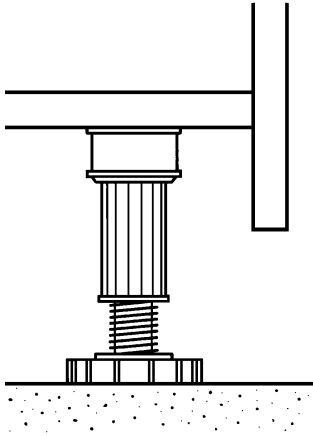
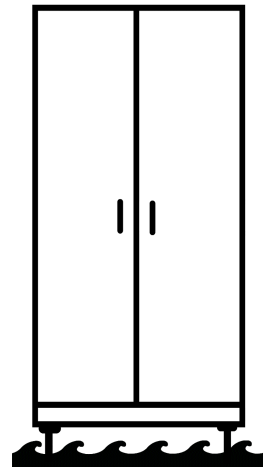


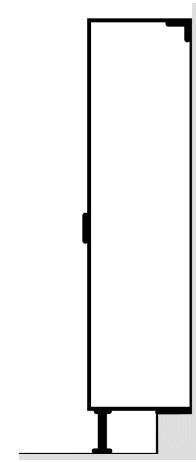
Model 12009



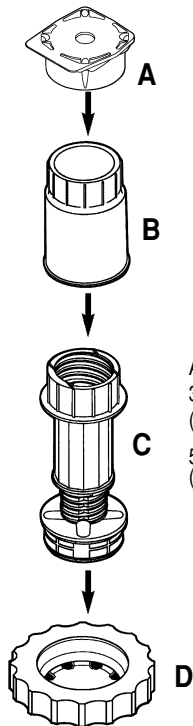
Level Cabinets



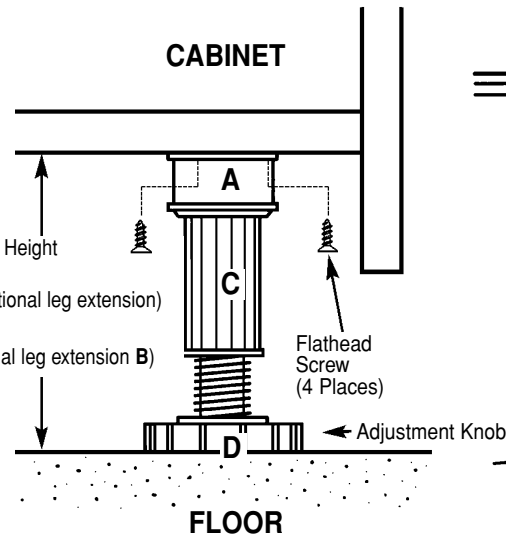
Protect From Water



Level with Foundation

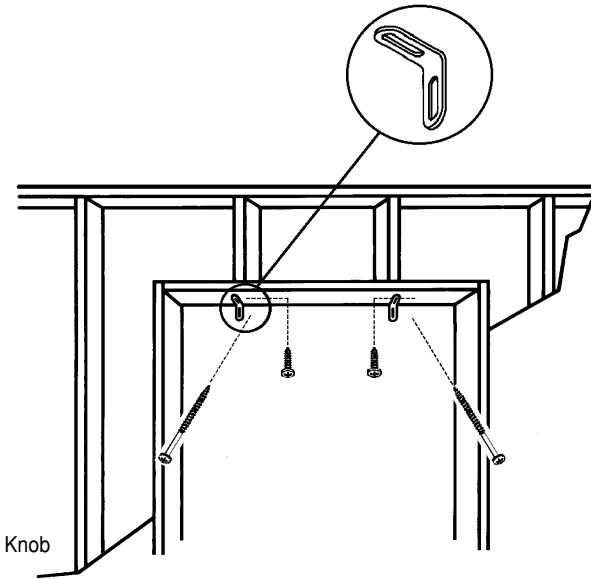


Adjustment Height
3³/₄" to 6"
(without optional leg extension)
5³/₄" to 8"
(with optional leg extension B)



Flathead
Screw
(4 Places)

Adjustment Knob



Attach short wood screws into cabinet top.
Attach long screws thru cabinet back panel
and into wall studs.