

UNIVERSAL WALL MOUNTS



IDEAL FOR 23-50" FLAT PANEL DISPLAYS

NEW!

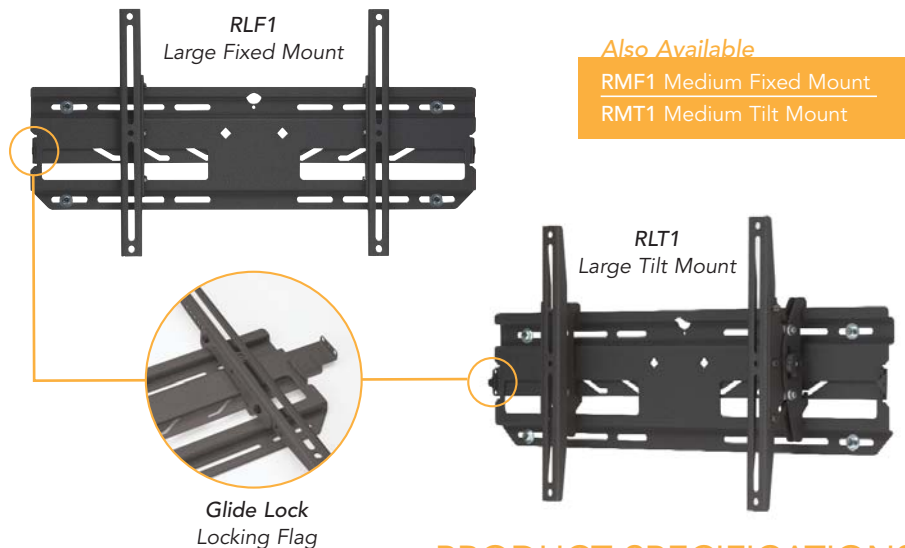
GET BACK TO BASICS

Universal, rail-style wall mounts are easy to install and simple to use.

These simple, universal rail-style wall mounts offer an easy to assemble, two-piece design that integrates into any environment. These mounts are ideal for those who don't require the full feature-set or supporting accessories of Chief's FUSION™ Series fixed and tilt wall mounts.

UNIQUE FEATURES

- Patented Centris® Technology fingertip tilt adjustments 
- Multiple mounting options including single stud, 16", 20" and 24" centers
- Post-installation lateral shift
- Tool-less latching feature with exclusive Glide Lock™ Locking Flag
- Integrated security with the addition of a padlock
- Allows for easy outlet placement above or below mount
- Installation hardware included



Also Available
 RMF1 Medium Fixed Mount
 RMT1 Medium Tilt Mount

PRODUCT SPECIFICATIONS

Model	Dimensions WxHxD	Weight Capacity	Tilt	Screen Size Range	Mounting Hole Patterns (Maximum WxH)	Installation Options	Color(s)
RMF1	20" x 10" x 1.64" (508 x 254 x 42 mm)	100 lbs (45 kg)	-	23-45" LCDs (58-114 cm)	9" x 17" (227 x 432 mm), VESA 400 x 200 mm	Single Stud, 16" Centers	■
RMT1	20" x 10" x 3.26" (508 x 254 x 83 mm)	100 lbs (45 kg)	+/- 15°	23-45" LCDs (58-114 cm)	9" x 17" (227 x 432 mm), VESA 400 x 200 mm	Single Stud, 16" Centers	■
RLF1	29" x 18" x 1.64" (737 x 457 x 42 mm)	175 lbs (80 kg)	-	30-50" Plasmas & LCDs (76-127 cm)	17" x 29" (432 x 737 mm)	16", 20" and 24" Centers	■
RLT1	29" x 18" x 3.26" (737 x 457 x 83 mm)	175 lbs (80 kg)	+/- 15°	30-50" Plasmas & LCDs (76-127 cm)	17" x 29" (432 x 737 mm)	16", 20" and 24" Centers	■

end-user focused faster installation superior service proven quality

CHIEF MANUFACTURING ■ A DIVISION OF CSAV, INC ■ www.chiefmfg.com
 USA/INTERNATIONAL ■ P 800.582.6480/952.894.6280 ■ F 877.894.6918/952.894.6918 ■ chief@chiefmfg.com
 CHIEF MOUNTS CANADA ■ P 877.345.4329 ■ F 888.377.5314 ■ info@chiefmounts.ca
 CSAV EUROPE B.V. ■ P 31 (0)40 2668620 ■ F 31 (0)40 2668615 ■ europe.chief@csavinc.com
 CSAV ASIA PACIFIC LTD ■ P 86 755 8996 9226 ■ F 86 755 8996 9217 ■ asia.chief@csavinc.com