



## INSTALLATION INSTRUCTIONS

# FDP SERIES

## SMALL FLAT PANEL DISPLAY DUAL SCREEN POLE MOUNT Exclusive Q2™ Mounting System

Prior to assembly, unpack carton completely and verify contents.  
If you are missing any of the following components, please contact Customer Service at 1-800/582-6480.

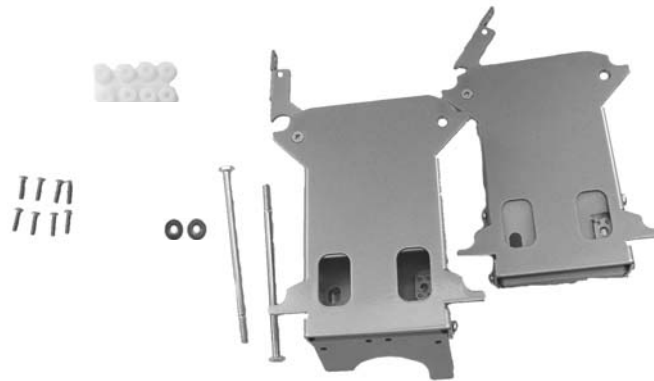


Figure 1

(2) FDP Pole-Mounting Bracket Half  
(2) 1/4-20 X 4.25" Hex Bolt

(2) 1/4" Flat Washer  
(8) 10-24 X 1.00 Thread Forming Screw  
(8) 1/2" X 1/2" Nylon Spacer

### BEFORE PROCEEDING, READ INSTALLATION INSTRUCTIONS COMPLETELY

The FSP will fit on any 1/1/2" to 2" O.D. pipe including 1 1/2"NPT.

## CAUTION!

**Flat Panel Displays are Extremely Fragile.**  
**If Monitor Uses a Screw Size Other Than M4 X 10mm (M4 X 20mm),**  
**DO NOT USE M4 Screws Provided. Monitor Damage Could Occur.**

#### Interface Bracket Installation:

1. See installation procedures accompanying your mounting bracket.

#### Optional Latching Flag Placement:

1. Remove Phillips head screw, Nylock nut and latching flag (see Figure 2).
2. Reposition latching flag and secure using Phillips head screw, Nylock nut.

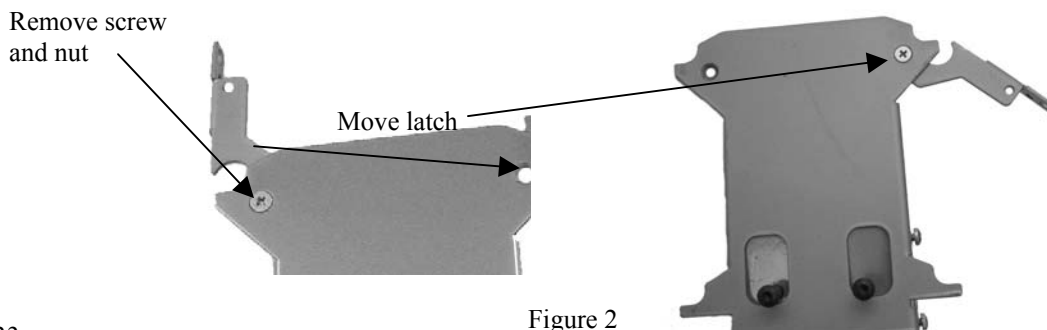


Figure 2

## Pole-Mounting Bracket Assembly and Installation:

1. Assemble two pole-mounting bracket halves as shown in Figure 3 and secure using two 1/4-20 X 4.25" hex bolts and two 1/4" flat washers.
2. For vertical pole mounting, install the pole-mounting bracket on 1 1/2" to 2" OD pipe/pole and secure using 7/16" hex drives (see Figure 4).
3. For horizontal pole mounting; remove eight tilt adjustment screws, reposition the tilt bracket as shown in Figure 5, and insert nylon spacers. Secure using 10-24 x 1.00 screws provided.

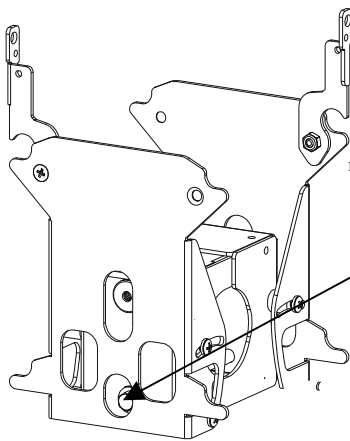


Figure 3

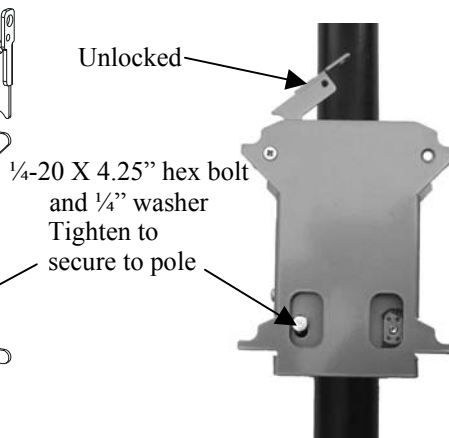


Figure 4

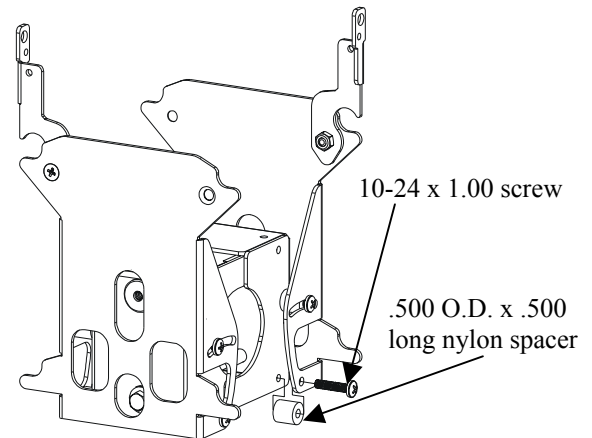


Figure 5

## Mounting Display with Interface Bracket to Pole-Mounting Bracket:

1. Make sure both latching flags on pole-mounting bracket are in the unlocked position (see Figure 4).
2. Place your small flat panel displays; with interface brackets attached, onto the pole-mounting bracket, making sure they are securely seated.
3. Engage pole-mounting bracket latching flags, locking small flat panel displays in place (see Figure 6).
4. Adjust tilt by loosening (slightly) tilt adjustment screws (see Figure 7) on each side of pole-mounting bracket, adjust to desired angle, and tighten tilt adjustment screws.

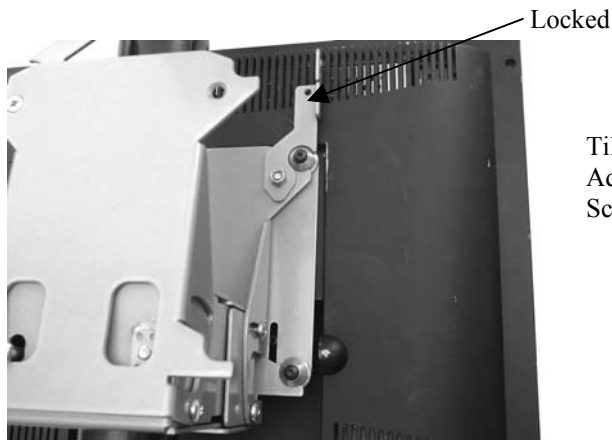


Figure 6

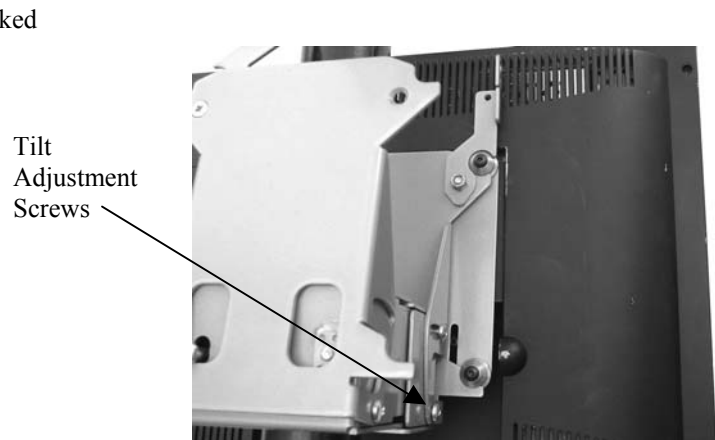


Figure 7