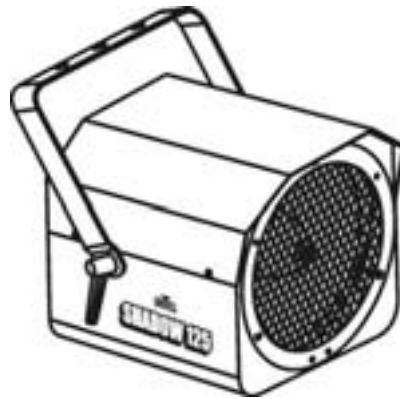


# TFX-125BL

## Shadow™ 125

### USER MANUAL



Chauvet, 3000 N 29<sup>th</sup> Ct, Hollywood, FL 33020 U.S.A  
(800) 762-1084 – (954) 929-1115  
FAX (954) 929-5560  
[www.chauvetlighting.com](http://www.chauvetlighting.com)

# TABLE OF CONTENT

<b>TABLE OF CONTENT</b> .....	<b>2</b>
<b>BEFORE YOU BEGIN</b> .....	<b>3</b>
WHAT IS INCLUDED .....	3
UNPACKING INSTRUCTIONS.....	3
AC POWER .....	3
SAFETY INSTRUCTIONS.....	3
<b>INTRODUCTION</b> .....	<b>4</b>
FEATURES.....	4
PRODUCT OVERVIEW.....	4
<b>SETUP</b> .....	<b>5</b>
LAMP.....	5
Lamp installation .....	5
POWER .....	5
MOUNTING .....	6
Orientation .....	6
Rigging .....	6
OPERATION .....	6
<b>APPENDIX</b> .....	<b>7</b>
GENERAL MAINTENANCE .....	7
RETURNS PROCEDURE.....	7
CLAIMS .....	7
GENERAL TROUBLESHOOTING .....	8
TECHNICAL SPECIFICATIONS.....	9

# BEFORE YOU BEGIN

## What is included

- TFX-125BL fixture
- H-125BL Blacklight bulb
- Power cord with plug
- Warranty Card & Manual

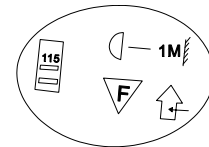
## Unpacking Instructions

Immediately upon receiving a fixture, carefully unpack the carton, check the contents to ensure that all parts are present, and have been received in good condition. Notify the shipper immediately and retain packing material for inspection if any parts appear damaged from shipping or the carton itself shows signs of mishandling. Save the carton and all packing materials. In the event that a fixture must be returned to the factory, it is important that the fixture be returned in the original factory box and packing.

## AC Power

To determine the power requirements for a particular fixture, see the label affixed to the back plate of the fixture or refer to the fixture's specifications chart. A fixture's listed current rating is its average current draw under normal conditions. All fixtures must be powered directly off a switched circuit and cannot be run off a rheostat (variable resistor) or dimmer circuit, even if the rheostat or dimmer channel is used solely for a 0% to 100% switch. Before applying power to a fixture, check that the source voltage matches the fixture's requirement. Check the fixture or device carefully to make sure that if a voltage selection switch exists that it is set to the correct line voltage you will use.

Figure 1 - AC Voltage Switch



### Warning!

**Verify that the power select switch on your unit matches the line voltage applied. All fixtures must be connected to circuits with a suitable Earth Ground.**

Not all fixtures have a voltage select switch. Please be sure to connect to the proper voltage.

## Safety Instructions



Please read these instructions carefully, which includes important information about the installation, usage and maintenance?



- Please keep this User Guide for future consultation. If you sell the unit to another user, be sure that they also receive this instruction booklet.
- Always make sure that you are connecting to the proper voltage and that the line voltage you are connecting to is not higher than that stated on decal or rear panel of the fixture.
- This product is intended for indoor use only!
- To prevent risk of fire or shock, do not expose fixture to rain or moisture. Make sure there are no flammable materials close to the unit while operating.
- The unit must be installed in a location with adequate ventilation, at least 50cm from adjacent surfaces. Be sure that no ventilation slots are blocked.
- Always disconnect from power source before servicing or replacing lamp or fuse and be sure to replace with same lamp source.
- Secure fixture to fastening device using a safety chain. Never carry the fixture solely by its head. Use its carrying handles.
- Maximum ambient temperature is Ta: 40°. Do not operate fixture at temperatures higher than this.
- In the event of serious operating problem, stop using the unit immediately. Never try to repair the unit by yourself. Repairs carried out by unskilled people can lead to damage or malfunction. Please contact the nearest authorized technical assistance center. Always use the same type spare parts.
- Don't connect the device to a dimmer pack.
- Make sure power cord is never crimped or damaged.
- Never disconnect power cord by pulling or tugging on the cord.
- Avoid direct eye exposure to lamp while it is on.

### Caution!

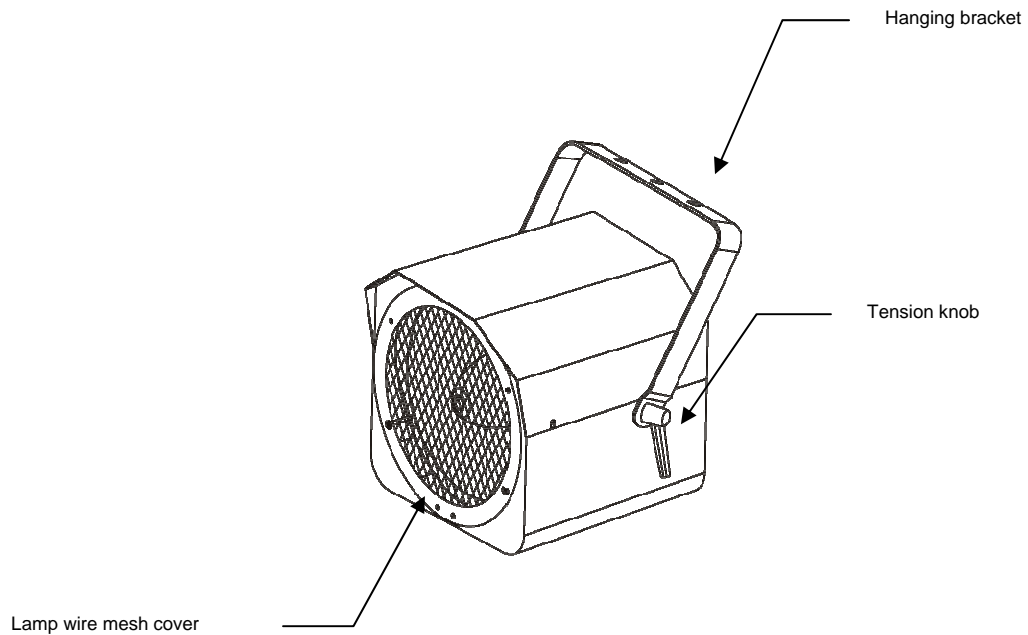
**There are no user serviceable parts inside the unit. Do not open the housing or attempt any repairs yourself. In the unlikely event your unit may require service, please contact CHAUVET.**

# INTRODUCTION

## Features

- high-powered 125-watt blacklight cannon
- long throw
- easy lamp access
- safety wire mesh
- switch-selectable power settings 115V or 230V, (240V available)
- **no duty cycle!**

## Product Overview



Product Overview

# SETUP

## Lamp

You will need to install a lamp prior to the initial operation of the fixture. A bulb is included with your product.

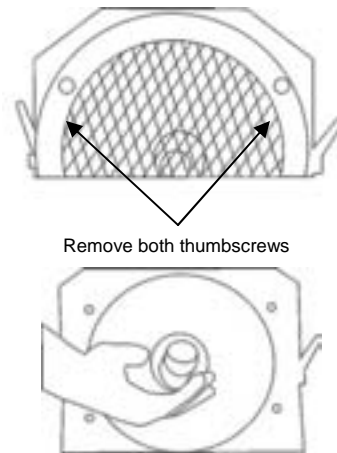
**Warning!** *When replacing the lamp, please wait 15 minutes after powering down to allow the unit to cool down! Always disconnect from main power prior to lamp replacement.*

Do not touch the envelope (glass area) of the bulb with bare hands. If this happens, clean the lamp with alcohol and wipe it with a lint free cloth before installation.

### LAMP INSTALLATION

- 1) Remove both thumbscrews located on the front of the fixture and open the lamp cover.
- 2) If replacing the lamp, remove old lamp first by unscrewing it from its base.
- 3) Hold the new lamp with a lint-free cloth or napkin and screw lamp into the socket providing minimal torque to secure lamp in place.
- 4) Close lamp cover, align the screw holes and fasten the thumbscrews back onto the cover.

Figure 2 – TFX-125 Lamp Installation

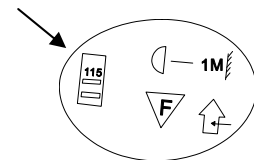


## Power

Your product is equipped with switch-selectable AC power setting and frequency.

**Warning!** *Verify that the power select switch on your unit matches the line voltage applied. All fixtures must be connected to circuits with a suitable Earth Ground.*

Slide switch up or down depending on your line voltage.



- To determine the power requirements for a particular fixture, see the label affixed to the back plate of the fixture or refer to the fixture's specifications chart.
- A fixture's listed current rating is its average current draw under normal conditions.
- All fixtures must be powered directly off a switched circuit and cannot be run off a rheostat (variable resistor) or dimmer circuit, even if the rheostat or dimmer channel is used solely for a 0% to 100% switch.
- Before applying power to a fixture, check that the source voltage matches the fixture's requirement.
- All fixtures must be connected to circuits with a suitable Earth Ground.
- When in doubt, please consult a qualified electrician to determine the frequency in your locale.

## Mounting

### ORIENTATION

This fixture may be mounted in any position provided there is adequate room for ventilation.

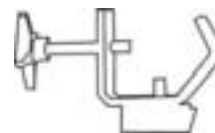
### RIGGING

Mount the fixture using a suitable "C" or "O" type clamp. Adjust the angle of the fixture by loosening both knobs and tilting the fixture.

After finding the desired position, retighten both knobs.

- When selecting installation location, take into consideration lamp replacement access and routine maintenance.
- Safety cables should always be used.
- Never mount in places where the fixture will be exposed to rain, high humidity, extreme temperature changes or restricted ventilation.

Figure 3 - Clamp



Note!  
Clamp is sold separately.

## Operation

The Shadow 125, also known as the TFX-125BL, produces a high powered long throw, medium sized beam of black light. Black light causes fluorescent materials to emit visible light. This effect is commonly used in nightclub entrances and dance floors.

The TFX-125BL is a stand alone fixture. AC voltage is all that is required to operate. This unit is best used at a throw distance of between 18 and 26 feet due to a parabolic reflector system that focuses and harnesses the light into a medium sized beam.

Weighing in at 17 lbs and consuming only 125 watts of power, the TFX-125BL does lend itself for mobile applications. However, always tilt the fixture to project below eye level as the intensity of the beam could have an irritating effect to patrons who stare at its luminosity. We recommend a lighting stand that is capable of extending a minimum of 9 feet and a position farthest away from the dance floor.

# APPENDIX

## General Maintenance

To maintain optimum performance and minimize wear fixtures should be cleaned frequently. Usage and environment are contributing factors in determining frequency. As a general rule, fixtures should be cleaned at least twice a month. Dust build up reduces light output performance and can cause overheating. This can lead to reduced lamp life and increased mechanical wear. Be sure to power off fixture before conducting maintenance.

Unplug fixture from power. Use a vacuum or air compressor and a soft brush to remove dust collected on external vents and internal components. Clean all glass when the fixture is cold with a mild solution of glass cleaner or Isopropyl Alcohol and a soft lint free cotton cloth or lens tissue. Apply solution to the cloth or tissue and drag dirt and grime to the outside of the lens. Gently polish optical surfaces until they are free of haze and lint. Do not touch the lamp glass when cleaning fixture. Oil and dirt can cause damage and premature aging of the lamp. In the event that the lamp is touched or becomes dirty, clean the lamps with an alcohol wipe.

The cleaning of internal and external optical lenses and/or mirrors must be carried out periodically to optimize light output. Cleaning frequency depends on the environment in which the fixture operates: damp, smoky or particularly dirty surrounding can cause greater accumulation of dirt on the unit's optics. Clean with soft cloth using normal glass cleaning fluid. - Always dry the parts carefully. - Clean the external optics at least every 20 days. Clean the internal optics at least every 30/60 days.

## Returns Procedure

Returned merchandise must be sent prepaid and in the original packing, call tags will not be issued. Package must be clearly labeled with a Return Merchandise Authorization Number (RA #). Products returned without an RA # will be refused. Call CHAUVET and request RA # prior to shipping the fixture. Be prepared to provide the model number, serial number and a brief description of the cause for the return. Be sure to properly pack fixture, any shipping damage resulting from inadequate packaging is the customer's responsibility. CHAUVET reserves the right to use its own discretion to repair or replace product(s). As a suggestion, proper UPS packing or double-boxing is always a safe method to use.

## Claims

Damage incurred in shipping is the responsibility of the shipper; therefore the damage must be reported to the carrier upon receipt of merchandise. It is the customer's responsibility to notify and submit claims with the shipper in the event that a fixture is damaged due to shipping. Any other claim for items such as missing component/part, damage not related to shipping, and concealed damage, must be made within seven (7) days of receiving merchandise.

## General Troubleshooting

Symptom	Solution(s)	Applies to			
		Lights	Foggers & Snow	Controllers	Dimmers & Chasers
Auto shut off	Check fan thermal switch reset	✓			
Beam is very dim or not bright	Clean optical system or replace lamp Check 220/110v switch for proper setting	✓			
Breaker/Fuse keeps blowing	Check total load placed on device				✓
Chase is too slow	Check users manual for speed adjustment	✓		✓	✓
Device has no power	Check for power on Mains. Check device's fuse. (internal and/or external)	✓		✓	✓
Fixture is not responding	Check DMX Dip switch settings for correct addressing Check DMX cables Check polarity switch settings	✓			
Fixture is on but there is no movement to the audio	Make sure you have the correct audio mode on the control switches. If audio provided via ¼" jack, make sure a live audio signal exists Adjust sound sensitivity knob	✓		✓	✓
Lamps cuts off sporadically	Possible bad lamp or fixture is overheating. Lamp may be at end of its life.	✓			
Light will not come on after power failure	Some discharge lamps require a cooling off period before the electronics in the fixture can kick start it again, wait 5 to 10 minutes before powering up	✓			
Loss of signal	Use only DMX cables Install terminator Note: Keep DMX cables separated from power cables or black lights.	✓	✓	✓	✓
Motor movements are jerky or jumpy	Possible bad motor driver or sensors Check polarity switch on controller	✓		✓	
Moves slow	Check 220/110v switch for proper setting	✓			
No flash	Re-install bulb, may have shifted in shipping	✓			
No light output	Check slip ring & brushes for contact Install bulb Call service technician	✓			
Relay will not work	Check reset switch Check cable connections				✓
Remote does not work	Make sure connector is firmly connected to device	✓	✓		
Stand alone mode	All Chauvet lighting fixtures featuring stand-alone functions do not require additional settings, simply power the fixture and it will automatically enter into this mode	✓			
Unit wobbles when rotating	Check for damages possibly incurred during shipping	✓			



## Technical Specifications

### WEIGHT & DIMENSIONS

Length.....	216 mm (8.5 in)
Width .....	254 mm (10 in)
Height .....	254 mm (10 in)
Weight .....	7.7 Kg (17 lbs)

### POWER

Switch-selectable power settings .....	115V 60 Hz or 230V 50 Hz
European version .....	240V 50 Hz
AC input.....	3 prongs IEC 60320 C14 male socket

### LAMPS

CHAUVET H-125BL .....	125W
-----------------------	------

### THERMAL

Maximum ambient temperature.....	40° (104° F)
----------------------------------	--------------

### FUSE

Main.....	20mm Glass 5A Fast Blow
-----------	-------------------------

### ORDERING INFORMATION

Shadow-125 .....	TFX-125BL
Fuse 5A .....	P170FUSE005