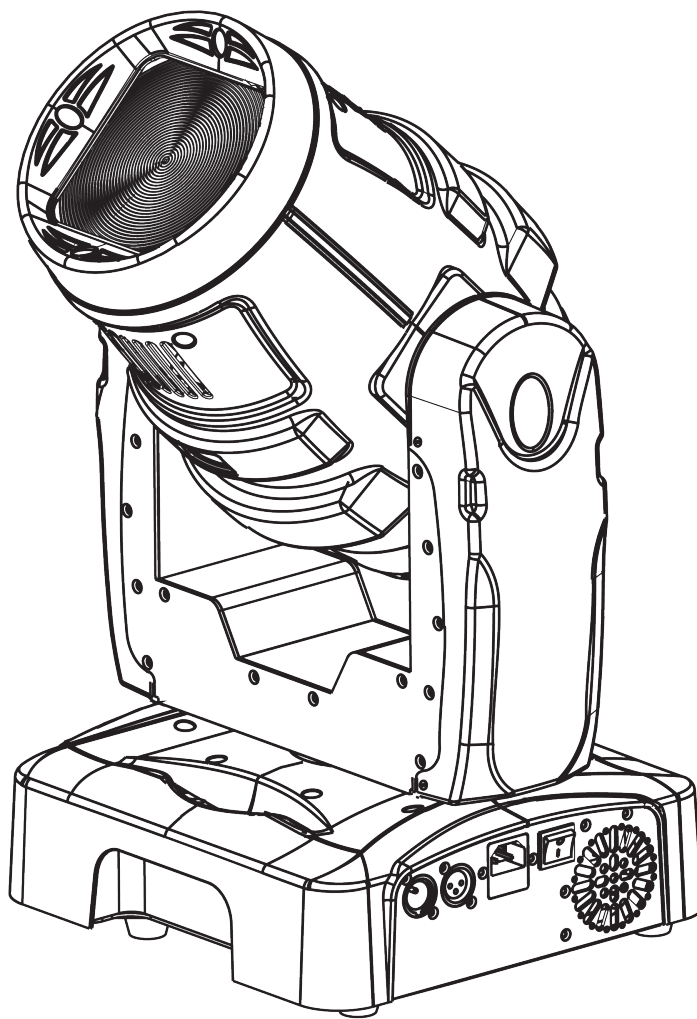


Q-BEAM™ 260-LED

User Manual




CHAUVET®

Edition Notes

The Q-Beam 260-LED User Manual Rev. 01d covers the description, safety precautions, installation, programming, operation, and maintenance of the Q-Beam 260-LED. CHAUVET® released this edition of the Q-Beam 260-LED User Manual Rev. 01d in December 2010.

Trademarks

CHAUVET® is a registered trademark of CHAUVET & Sons Inc. (d/b/a CHAUVET® or Chauvet). The CHAUVET® logo in its entirety including the Chauvet name and the dotted triangle, and all other trademarks on this manual pertaining to services, products, or marketing statements (example: It's Green Thinking™) are owned or licensed by CHAUVET®. Any other product names, logos, brands, company names, and other trademarks featured or referred to within this document are the property of their respective trademark holders.

Copyright Notice

CHAUVET® owns the content of this user manual in its entirety, including but not limited to pictures, logos, trademarks, and resources.

© Copyright 2010 CHAUVET®. All rights reserved

Electronically published by CHAUVET® in the United States of America

Manual Usage

CHAUVET® authorizes its customers to download and print this manual for professional information purposes only. CHAUVET® expressly prohibits the usage, copy, storage, distribution, modification, or printing of this manual or its content for any other purpose without its written consent.

Document Printing

For better results, print this document in color, on letter size paper (8.5 x 11 inches), double sided. If using A4 paper (210 x 297 mm), configure your printer to scale the content of this document to A4 paper.

Intended Audience

Any person in charge of installing, operating, and/or maintaining the Q-Beam 260-LED should read the guide that shipped with it as well as this manual in their entirety before installing, operating, or maintaining this product.

Disclaimer

CHAUVET® believes that the information contained in this manual is accurate in all respects. However, CHAUVET® assumes no responsibility for any error or omissions in this document. CHAUVET® reserves the right to revise this document and to make changes from time to time in the content hereof without obligation of CHAUVET® to notify any person or company of such revision or changes. This does not constitute in any way a commitment by CHAUVET® to make such changes. CHAUVET® may issue a revision of this manual or a new edition of it to incorporate such changes.

CHAUVET® Publications Hot Line

If you have any comments about the accuracy of this document or general suggestions regarding how we can improve it, please call us at (800) 762-1084 (US callers) or +1-954-929-1115 (international callers). You can download the latest versions of all CHAUVET® products' manuals from www.chauvetlighting.com.

Document Revision

The Q-Beam 260-LED User Manual Rev. 01d supersedes all previous versions of this manual. Please discard any older versions of this manual you may have, whether in printed or electronic format, and replace them with this version.

Author	Editor	Manager	PD Manager
O. Desmonteix	D. Coupe	M. Graham	F. Sellers

Product at a Glance

Use on Dimmer	X	Auto Programs	P
Outdoor Use	X	Auto-ranging Power Supply	P
Sound Activated	P	Replaceable Fuse	P
DMX	P	User Serviceable	X
Master/Slave	P	Duty Cycle	X

Table of Contents

1. Before You Begin	1
What is Included	1
Unpacking Instructions	1
Typographic Conventions	1
Icon Meaning.....	1
Safety Notes.....	2
Expected LED Lifespan	2
2. Introduction	3
Product Description	3
Features.....	3
<i>Additional Features</i>	3
DMX Channel Summary	4
Product Overview	5
Product Dimensions	6
3. Setup	7
AC Power	7
<i>AC Plug</i>	7
<i>Fuse Replacement</i>	7
Gobo Replacement.....	8
DMX Linking.....	8
<i>DMX Modes</i>	8
<i>Master/Slave Connectivity</i>	8
Mounting	9
<i>Orientation</i>	9
<i>Rigging</i>	9
4. Operation	10
Control Panel Description	10
Control Options	10
Programming.....	10
<i>DMX Operation</i>	10
<i>Stand-alone Operation</i>	10
<i>Master/Slave Operation</i>	10
<i>Display Mode</i>	10
<i>Keylock</i>	11
<i>Rotation Mode</i>	11
<i>Edit Custom</i>	11
<i>Software Version</i>	12
<i>Range Limitation</i>	12
<i>Move-in Black</i>	12
<i>Reset Control</i>	12
<i>System Default</i>	12
Menu Map	13
DMX Values	14
<i>BASIC</i>	14
<i>ADVANCED</i>	15
5. Technical Information	16
General Maintenance	16
Photometrics	16
Troubleshooting Guide	17
Returns Procedure	18
Claims.....	18
Contact Us	18



Technical Specifications.....19

1. Before You Begin

What is Included

- One Q-Beam 260-LED
- One IEC power cord with Edison plug (US market)
- One safety cable
- Two omega brackets
- Warranty Card
- Quick Reference Guide

Unpacking Instructions




Immediately upon receiving this product, carefully unpack it and check the container in which you received it. Make sure that you have received all the parts indicated above and that they are all in good condition. If the material inside the container (this product and any other accessory included with it) appears damaged from shipping, or if the container shows signs of mishandling, notify the shipper immediately. In addition, retain the container and all the packing material for inspection.

See the *Claims* section in the *Technical Information* chapter.

Typographic Conventions

Convention	Meaning
1~512	A range of values in the text
50/60	A set of mutually exclusive values in the text
[10]	A DIP switch to be configured
<i>Claims</i>	A new term, or a section or chapter in this document
"COLORado™ UM"	The name of another publication or manual
<SET>	A button on the fixture's control panel
Settings	A fixture function or a menu option
MENU > Settings	A sequence of menu options
1~10	A range of menu values from which to choose in a menu
Yes/No	A set of two mutually exclusive menu options in a menu
ON	A unique value to entered or select in a menu

Icon Meaning

Icon	Meaning
	This icon indicates critical installation, configuration, or operation information. Failure to comply with this information may render the fixture partially or completely inoperative, damage third-party equipment, or cause harm to the user.
	This icon indicates important installation or configuration information. Failure to comply with this information may prevent the fixture from functioning correctly.
	This icon indicates useful, although non-critical information.



The term "DMX" used throughout this document refers to the USITT DMX512-A transmission protocol.

Safety Notes

Please read the following notes carefully because they include important safety information about the installation, usage, and maintenance of this product.

It is important to read all these notes before starting to work with this product.



There are no user serviceable parts inside this product. Any reference to servicing it you may find from now on in this User Manual will only apply to properly CHAUVET® certified technicians. Do not open the housing or attempt any repairs unless you are one of them.



Please refer to all applicable local codes and regulations for the proper installation of this product.



Keep this manual for future consultation. If you sell this product to another user, make sure that they also receive this manual.

Personal Safety

- Avoid direct eye exposure to the light source while the fixture is on.
- Always disconnect this product from its power source before servicing.
- Always connect this product to a grounded circuit to avoid the risk of electrocution.
- Do not touch this product's housing when operating because it may be very hot.

Mounting and Rigging

- This product is for indoor use only! To prevent risk of fire or shock, do not expose this product to rain or moisture.
- Make sure there are no flammable materials close to this product while operating.
- When hanging this product, always secure it to a fastening device using a safety chain/cable (included).
- Do not carry this fixture from the head; use the handles instead.

Power and Wiring

- Always make sure that you are connecting this product to the proper voltage, as per the specifications in this manual or on the product's sticker.
- Never connect this product to a dimmer pack or rheostat.
- Never disconnect this product by pulling or tugging on the power cable.

Operation

- Do not operate this fixture if you see damage on the housing, lenses, or cables. In any of these cases, have the damaged parts replaced by an authorized technician at once.
- Do not cover the ventilation slots when the fixture is operating to avoid internal overheating.
- Do not aim this fixture toward the Sun. Otherwise, the lenses could concentrate the solar energy and cause internal overheating.
- The maximum ambient temperature (Ta) is 104° F (40° C). Do not operate this product at a higher temperature.
- In case of a serious operating problem, stop using this product immediately!



In the unlikely event that your CHAUVET® product may require service, please contact CHAUVET® Technical Support.

Expected LED Lifespan

LEDs gradually decline in brightness over time, mostly because of heat. Packaged in clusters, LEDs exhibit higher operating temperatures than in ideal, single LED conditions. For this reason, using clustered LEDs at their fullest intensity significantly reduces the LEDs' lifespan. Under normal conditions, this lifespan can be of 40,000 to 50,000 hours. If extending this lifespan is vital, lower the operational temperature by improving the fixture's ventilation and reducing the external temperature. In addition, limiting the overall projection intensity may also help to extend the LEDs' lifespan.

2. Introduction

Product Description

The Q-Beam™ 260-LED is a high power moving yoke fixture equipped with a 60-watt white LED. It includes a color wheel with eight slots plus white. It also comes with one gobo wheel with seven rotating slot-n-lock gobos plus open. It also includes a fixed 3-facet prism.

Features

- 9 or 12-channel DMX-512 LED moving yoke
- Pan: 540°
- Tilt: 270°
- Color wheel:
 - 8 colors + white
 - Rainbow color spin at variable speeds
- Gobo wheel 1:
 - Indexed, rotating gobo wheel with gobo shake
 - 7 gobos + open
 - Gobo wheel spin at variable speeds
- 3-facet static prism
- Variable electronic strobe
- Variable electronic dimmer (0~100%)
- Remote fixture reset
- 255 user-programmable steps without DMX controller
- Move-in-black for pan and tilt
- Built-in automated programs
- Built-in sound activated programs

Additional Features

- High-power 60 W LED
- User-selectable pan/tilt ranges
- Automatic pan/tilt correction
- Reset to factory settings option
- User-selectable basic or advanced operating modes

DMX Channel Summary

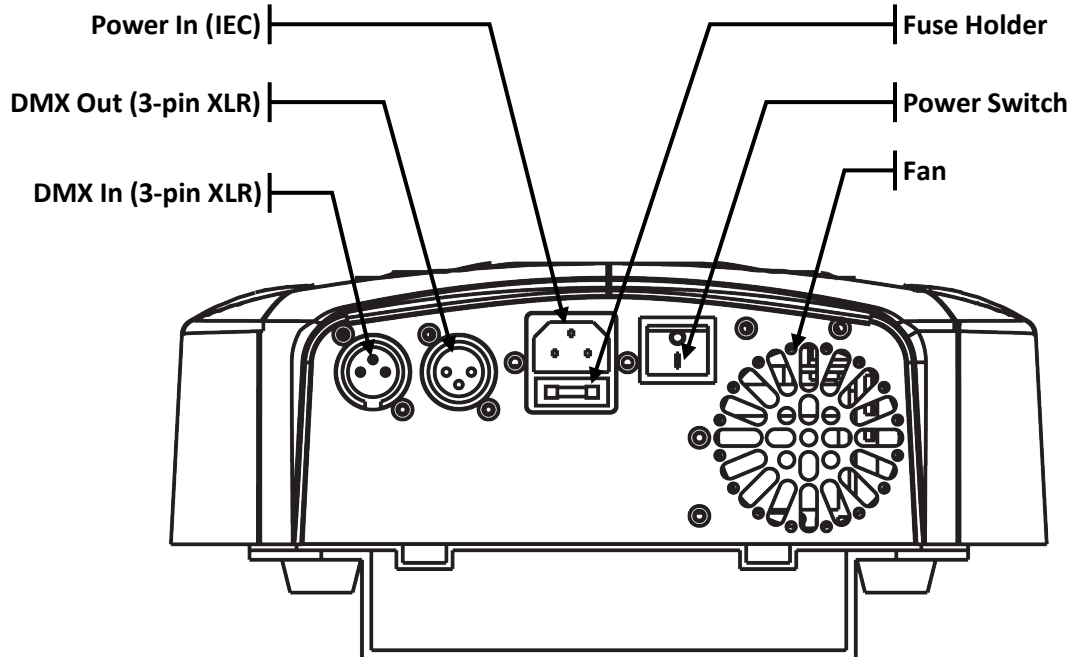
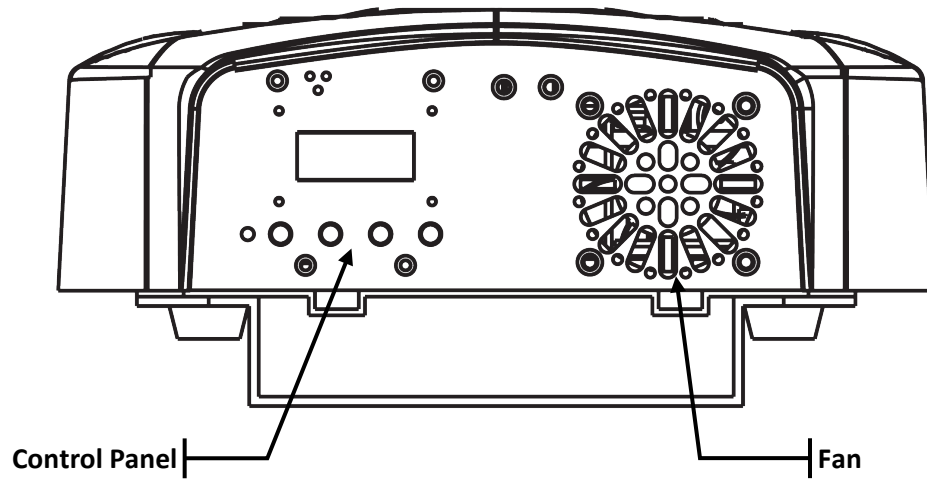
Basic

DMX Channel	Function
1	Pan
2	Tilt
3	Color Wheel
4	Rotating Gobo Wheel
5	Gobo Rotation
6	Fixed Prism
7	Dimmer
8	Strobe
9	Control

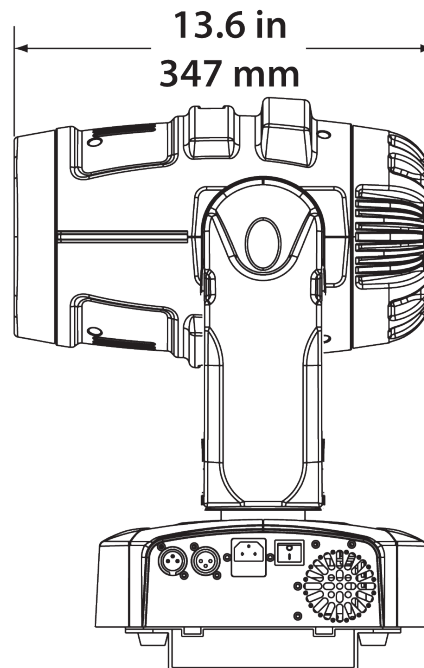
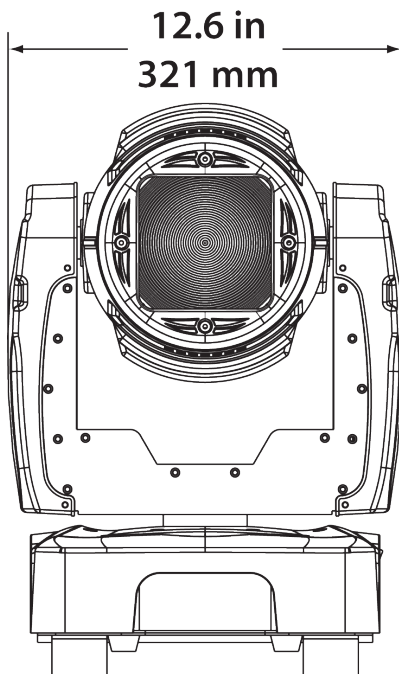
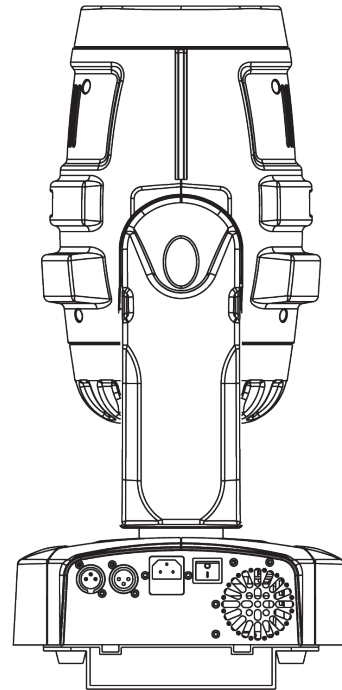
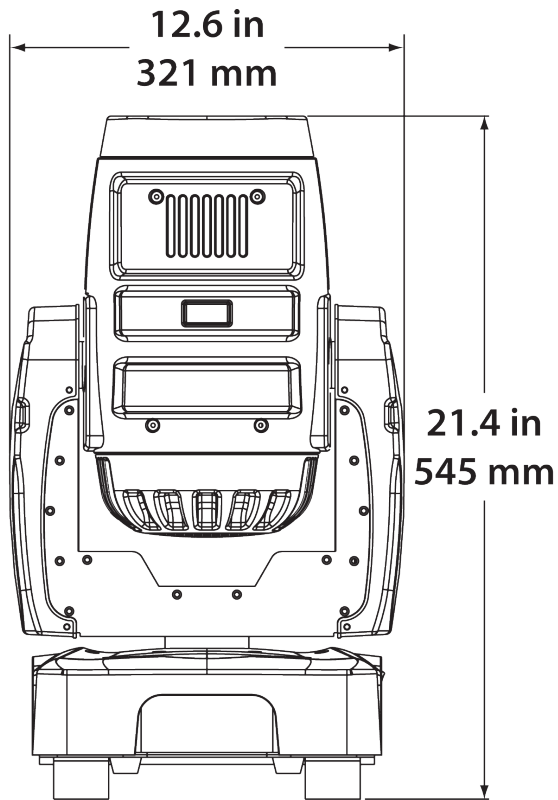
Advanced

DMX Channel	Function
1	Pan
2	Pan Fine
3	Tilt
4	Tilt Fine
5	Pan / Tilt Speed
6	Color Wheel
7	Rotating Gobo Wheel
8	Gobo Rotation
9	Fixed Prism
10	Dimmer
11	Strobe
12	Control

Product Overview



Product Dimensions



3. Setup

AC Power

The Q-Beam 260-LED has an auto-ranging power supply that can work with an input voltage range of 100–240 VAC, 50/60 Hz.

Make sure that you are connecting this product to the proper voltage, as per the specifications in this guide, the product's user manual, or on the product's sticker.



Always connect the Q-Beam 260-LED to a protected circuit with an appropriate electrical ground to avoid the risk of electrocution or fire.

To determine the power requirements for the Q-Beam 260-LED see the label affixed to the side of the fixture. Alternatively, you may refer to the corresponding specifications chart in the *Technical Information* chapter of this manual.

The listed current rating indicates the maximum current draw during normal operation. For more information, you may download the "Sizing the Circuit Breakers" document from the CHAUVET® Web site.



Never connect the Q-Beam 260-LED to a rheostat (variable resistor) or dimmer circuit, even if the rheostat or dimmer channel serves only as a 0 to 100% switch.

AC Plug

The Q-Beam 260-LED comes with a power input cord terminated with an IEC connector on one end and an Edison plug on the other end (US market). If the power cord that came with your fixture has no plug or you need to change the Edison plug, use the table below to wire the new plug.

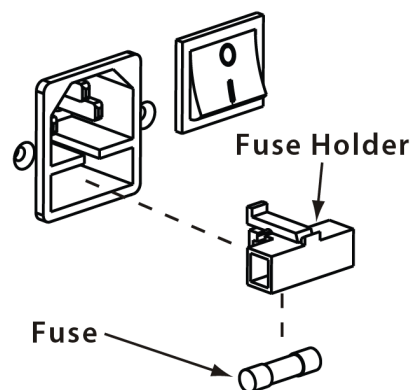
Connection	Wire (US)	Wire (Europe)	Pin
AC Live	Black	Brown	1
AC Neutral	White	Blue	2
AC Ground	Green/Yellow	Green/Yellow	3



Fuse Replacement

Make sure to disconnect the fixture's power cord before replacing a blown fuse, and always replace it with a fuse of the same type and rating.

- 1) With a flat head screwdriver, wedge the fuse holder out of its housing and remove the blown fuse from its holder.
- 2) Replace the blown fuse with a fuse of the exact same type and rating.
- 3) Insert the fuse holder back in its place, and reconnect power.





Gobo Replacement

Make sure to disconnect the fixture's power cord before replacing the gobo.

- 1) Loosen the four screws that hold the head's front cover and move it slightly forward.
- 2) Unfasten the four screws that hold the head's upper cover and remove it.
- 3) Manually rotate the gobo wheel and pull out the desired gobo
- 4) Install the new rotating gobo by sliding it under the pressure plate near the center of the wheel.
- 5) Reverse steps 1 and 2.

DMX Linking

You may link any Q-Beam 260-LED fixture to a DMX controller using a standard DMX serial connection. If using other DMX compatible fixtures with a Q-Beam 260-LED fixture, it is possible to control them individually with a single DMX controller.

If you are not familiar with the DMX standard, or if you need information about the DMX cables needed to link the Q-Beam 260-LED fixture to a DMX controller, you may download the "DMX Primer" document from the CHAUVET® Web site.

DMX Modes

The Q-Beam 260-LED uses the standard DMX data connection for its Basic and Advanced DMX modes. You will find information about these DMX modes in the *Introduction* chapter (brief description), the *Operation Instructions* chapter (configuration details), and the *DMX Values* section (individual channel values).

Master/Slave Connectivity

The Master/Slave mode allows a Q-Beam 260-LED fixture to control one or more a Q-Beam 260-LED fixtures without a DMX controller. The controlling fixture becomes the "master" when running in any mode other than DMX512. The controlled fixtures are the "slaves" and you must set them to "Slave" mode from their respective control panels. During the Master/Slave operation, the slave fixtures will operate in unison with the master fixture.

The master and slave fixtures link to each other using the standard DMX serial connection. If you are not familiar with the Master/Slave connectivity, you may download the "DMX Primer" document from the CHAUVET® Web site.



DO NOT connect a DMX controller to the fixtures operating in Master/Slave mode. Otherwise, the signals from the DMX controller may interfere with the signals from the master unit.

Conversely, DO NOT connect any fixture set to run as "master" to a DMX universe because the signals from that fixture may interfere with the signals from the DMX controller.



The *Operation* chapter of this manual provides detailed instructions on how to configure the Master and Slave units.

Mounting

Before mounting this fixture, read and follow the safety recommendations indicated in the *Safety Notes* section (page 2 of this manual).

Orientation

Always mount this fixture in any safe position while making sure that there is adequate room around it for ventilation, configuration, and maintenance.

Rigging

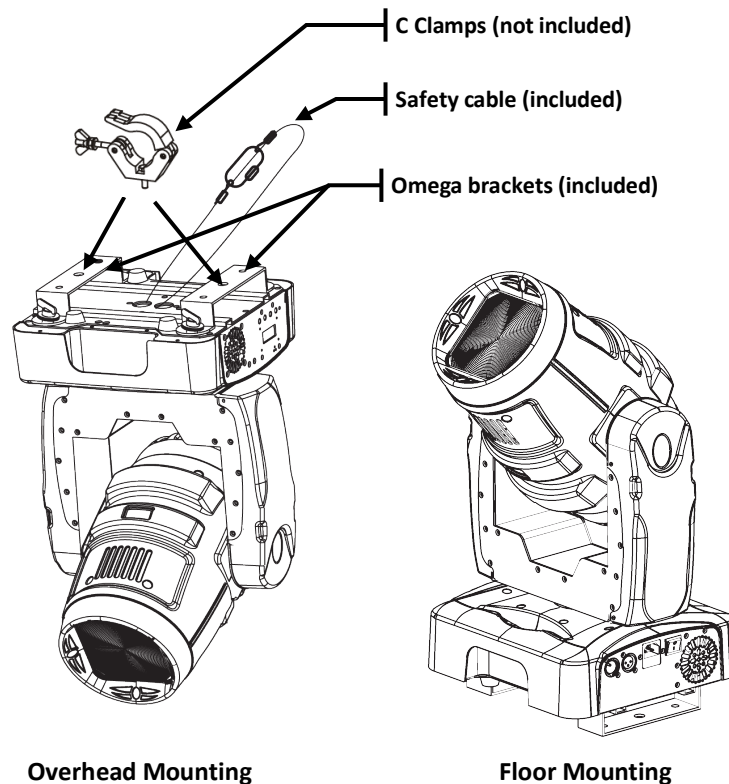
CHAUVET® recommends following the general guidelines below when mounting the Q-Beam 260-LED.

- When selecting an installation location, consider ease of access to the fixture for operation, programming adjustments, and routine maintenance.
- Make sure to mount this fixture away from any flammable material as indicated in the *Safety Notes* section.
- Never mount the fixture in places where rain, high humidity, extreme temperature changes, or restricted ventilation may affect it.
- If hanging this fixture, make sure that the location where you are mounting the fixture can support its weight. Please see the *Technical Specifications* section of this manual for the weight requirement of this fixture.

Procedure

The Q-Beam 260-LED comes with two omega brackets to which you can attach a couple of “C” or “O” clamps. You must supply your own “C” or “O” clamps and make sure that they are capable of supporting the weight of this fixture. You will have to use two mounting points per fixture. In addition, you may mount this product on the floor or a platform provided it is stable and it can support the weight of the fixtures on it.

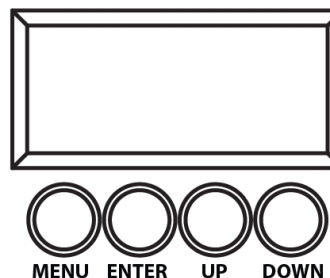
Product Mounting Diagram



4. Operation

Control Panel Description

Button	Function
<MENU>	Exits from the current menu or function
<ENTER>	Enables the currently displayed menu or sets the currently selected value in to the current function
<UP>	Navigates upwards through the menu list and increases the numeric value when in a function
<DOWN>	Navigates downwards through the menu list and decreases the numeric value when in a function



Control Options

You can set the Q-Beam 260-LED start address in the 001~512 DMX range. This allows for the control of up to 42 fixtures in the 12-channel Advanced personality.

Programming

Carry out all the programming procedures indicated below from the control panel. Refer to the *Menu Map* on page 13 to learn how the menu options relate to each other.

To go to an option, press <MENU> repeatedly until the option shows on the display.

To select an option value, press <UP> or <DOWN> until you see the desired value and press <ENTER> to accept it.

To exit to the previous menu level, press <MENU>.

DMX Operation

- 1) Enable DMX operation.
 - a) Go to **MENU > INTRO > RUN**.
 - b) Select **DMX512**.
- 2) Select a DMX mode.
 - a) Go to **MENU > INTRO > CHANNELS**.
 - b) Select **BASIC** or **ADVANCED**.
- 3) Select the DMX starting address.
 - a) Go to **MENU > INTRO > ADDRESS**.
 - b) Select a starting address, **001~498** (ADVANCED) or **001~501** (BASIC).

Stand-alone Operation

- 1) Go to **MENU > INTRO > RUN**.
 - a) Select a stand-alone operation mode (**AUTO 1**, **AUTO 2**, **SOUND 1**, **SOUND 2**, **CUSTOM**, or **TEST**).

Master/Slave Operation

- 1) Configure the Master fixture.
 - a) Select a stand-alone mode, as shown above.
- 2) Configure the Slave fixtures.
 - a) Go to **MENU > INTRO > RUN**.
 - b) Select **SLAVE**.



The fixture that operates in any stand-alone mode becomes the master.



- Do not connect a DMX controller to the master or slave fixtures.
- Never connect a fixture operating in stand-alone mode to a DMX universe

Display Mode

- 1) Go to **MENU > INTRO > DISPLAY**.
 - a) Select a display mode (**60 CLOSE** or **BRIGHT**).



When in the “60 CLOSE” setting, the display backlight will turn off after 60 s. When in the “BRIGHT” setting, the display backlight will stay on.

Continues on the next page

Continued from previous page

Keylock

- 1) Go to **MENU > INTRO > KEYLOCK**.
 - a) Select **YES** or **NO**.



When in the “YES” setting, the user will have to enter the password after 30 seconds of control panel inactivity or each time he/she turns the fixture on.



The default (non-modifiable) password is <UP>, <DOWN>, <UP>, <DOWN> and <ENTER>.

Rotation Mode

- 1) Go to **MENU > INVERT > PAN**.
 - a) Select a movement mode (**NORMAL** or **REVERSE**).
- 2) Go to **MENU > INVERT > TILT**.
 - a) Select a movement mode (**NORMAL** or **REVERSE**).
- 3) Go to **MENU > INVERT > COLOR**.
 - a) Select a movement mode (**STEP** or **LINEAR**).
- 4) Go to **MENU > INVERT > USE**.
 - a) Select **YES** to activate the new setting or **NO** to stop using it.

Edit Custom

- 1) Go to **MENU > EDIT > STEP**.
 - a) Select a programming step (**000~255**).
- 2) Go to **MENU > EDIT > PAN**.
 - a) Select a pan value (**000~255**).
- 3) Go to **MENU > EDIT > TILT**.
 - a) Select a tilt value (**000~255**).
- 4) Go to **MENU > EDIT > SPEED**.
 - a) Select a tilt/pan movement speed (**000~255**).
- 5) Go to **MENU > EDIT > COLOR**.
 - a) Select a color wheel position (**000~255**) as per the *DMX Values* table.
- 6) Go to **MENU > EDIT > GOBO 1**.
 - a) Select a rotating gobo (**000~255**) as per the *DMX Values* table.
- 7) Go to **MENU > EDIT > GOBO 1 ROT**.
 - a) Select a rotating gobo mode (**000~255**) as per the *DMX Values* table.
- 8) Go to **MENU > EDIT > PRISM**.
 - a) Select a prism operation mode (**000~255**) as per the *DMX Values* table.
- 9) Go to **MENU > EDIT > DIMMER**.
 - a) Select a dimmer setting (**000~255**).
- 10) Go to **MENU > EDIT > STROBE**.
 - a) Select a strobe setting (**000~255**) as per the *DMX Values* table.
- 11) Go to **MENU > EDIT > TIME**.
 - a) Select the duration of this step (**000~255**).
- 12) Go to **MENU > EDIT > USE**.
 - a) Select **YES** to save the settings for this step or **NO** to delete them.
- 13) Repeat steps “2” to “13” for the other steps.



The fixture will execute all the steps in the **CUSTOM** program and it will stop. To make the fixture to start over add a last step whose duration is 0 seconds.

Example:

Step 1:	Time = 5	Use = Yes	
Step 2:	Time = 4	Use = Yes	
Step 3:	Time = 6	Use = Yes	
Step 4:	Time = 0	Use = Yes	} (This step creates a loop)
Step 5:	Time = 0	Use = No	
			} (Unused steps)
▼	▼	▼	
Step 255	Time = 0	Use = No	

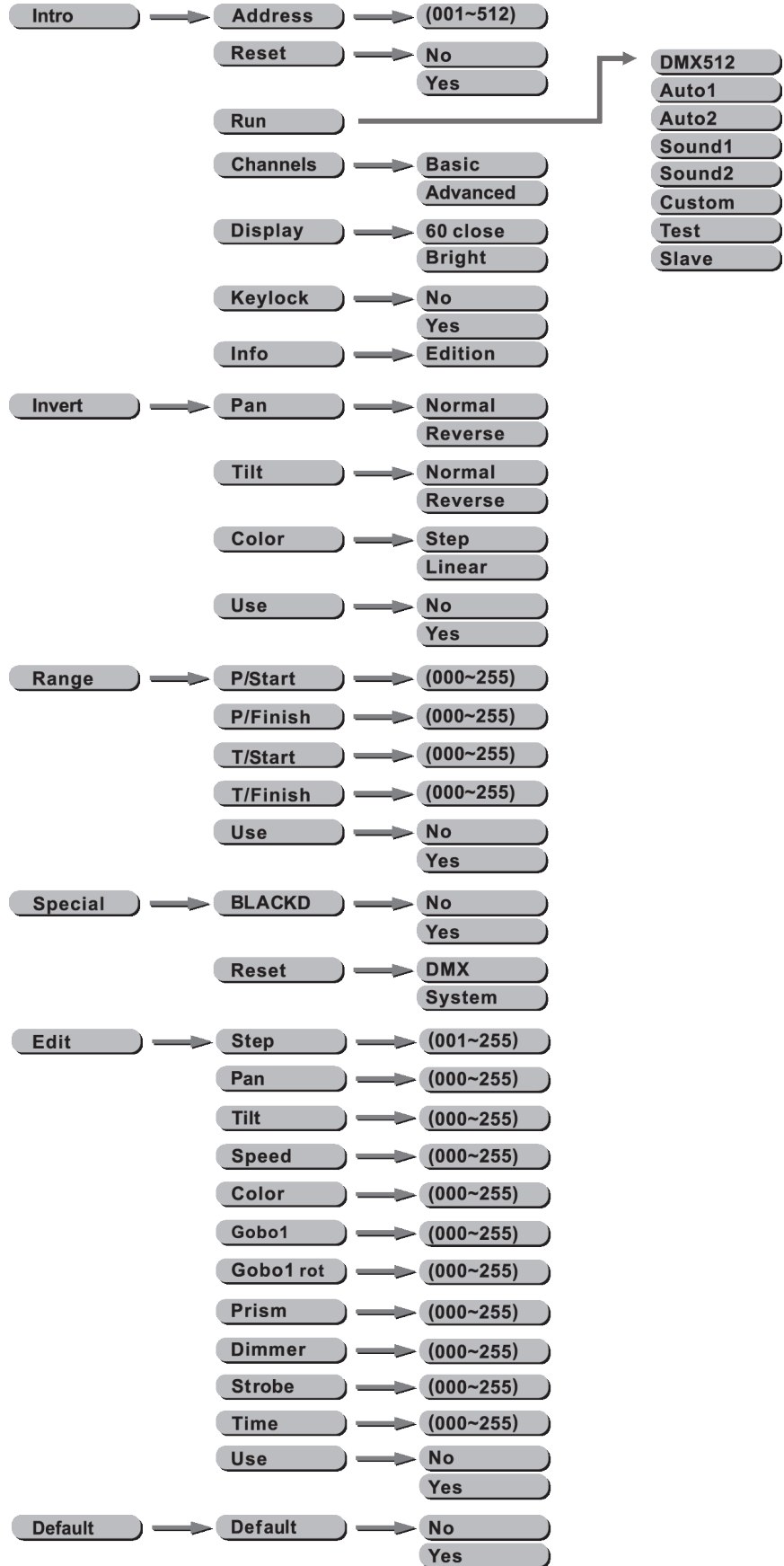
Continues on the next page

Continued from previous page

- Software Version**
- 1) Go to **MENU > INTRO > INFO**.
 - a) The display will show the installed software version.
- Range Limitation**
- 1) Go to **MENU > RANGE > P/START**.
 - a) Select the starting point for the limited pan (**000~255**).
 - 2) Go to **MENU > RANGE > P/FINISH**.
 - b) Select the finishing point for the limited pan (**000~255**).
 - 3) Go to **MENU > RANGE > T/START**.
 - c) Select the starting point for the limited tilt (**000~255**).
 - 4) Go to **MENU > RANGE > T/FINISH**.
 - d) Select the finishing point for the limited tilt (**000~255**).
 - 5) Go to **MENU > RANGE > USE**.
 - e) Select **YES** to activate the new settings or **NO** to stop using them.
- Move-in Black**
- 1) Go to **MENU > SPECIAL > BLACK**.
 - a) Select **YES** to enable the 3 seconds delay or **NO** to make the blackout immediate.
- Reset Control**
- 1) Go to **MENU > SPECIAL > RESET**.
 - a) Select **DMX** to enable the DMX controller to reset the fixture (**Control** function) or **NO** to reset the fixture only from the control panel.
- System Default**
- 1) Go to **MENU > DEFAULT > DEFAULT**.
 - a) Select **YES** to default the fixture to its original factory settings.

End of Programming

Menu Map



DMX Values

BASIC	Channel	Function	Value	Percent/Setting
	1	Pan	000 ◊ 255	0–540°
	2	Tilt	000 ◊ 255	0–270°
	3	Color Wheel	000 ◊ 015 016 ◊ 030 031 ◊ 045 046 ◊ 060 061 ◊ 075 076 ◊ 090 091 ◊ 105 106 ◊ 120 121 ◊ 135 136 ◊ 255	White Red Yellow Magenta Green Orange Blue Light green Light blue Rainbow or linear effect
	4	Gobo Wheel 1	000 ◊ 010 011 ◊ 020 021 ◊ 030 031 ◊ 040 041 ◊ 050 051 ◊ 060 061 ◊ 070 071 ◊ 080 081 ◊ 095 096 ◊ 110 111 ◊ 125 126 ◊ 140 141 ◊ 155 156 ◊ 170 171 ◊ 185 186 ◊ 255	No gobo Gobo 1 Gobo 2 Gobo 3 Gobo 4 Gobo 5 Gobo 6 Gobo 7 Shaking gobo 7 Shaking gobo 6 Shaking gobo 5 Shaking gobo 4 Shaking gobo 3 Shaking gobo 2 Shaking gobo 1 Flow effect
	5	Gobo Wheel 1 Rotation	000 ◊ 060 061 ◊ 150 151 ◊ 165 166 ◊ 255	360° Indexing CW rotation (slow~fast) No function CCW rotation (slow~fast)
	6	Prism	000 ◊ 127 128 ◊ 255	Prism off Prism on
	7	Dimmer	000 ◊ 255	Dark ◊ Bright
	8	Shutter/Strobe	000 ◊ 031 032 ◊ 063 064 ◊ 095 096 ◊ 127 128 ◊ 159 160 ◊ 191 192 ◊ 223 224 ◊ 255	Close Open Strobe (slow~fast) Open Pulse strobe effect (slow~fast) Open Random strobe effect (slow~fast) Open
	9	Control	000 ◊ 019 020 ◊ 039 040 ◊ 059 060 ◊ 139 140 ◊ 149 150 ◊ 159 160 ◊ 169 170 ◊ 179 180 ◊ 189 190 ◊ 199 200 ◊ 219 220 ◊ 255	No function Pan/tilt black activation (3 s delay) Pan/tilt black deactivation (3 s delay) No function Auto 1 (3 s delay) Auto 2 (3 s delay) Test (3 s delay) Custom Sound 1(3 s delay) Sound 2(3 s delay) Reset (3 s delay) No function

ADVANCED

Channel	Function	Value	Percent/Setting
1	Pan	000 ∘ 255	0~540°
2	Pan Fine	000 ∘ 255	Fine movement control
3	Tilt	000 ∘ 255	0~270°
4	Tilt Fine	000 ∘ 255	Fine movement control
5	Pan/Tilt Speed	000 ∘ 255	Fast~Slow
6	Color Wheel	000 ∘ 015	White
		016 ∘ 030	Red
		031 ∘ 045	Yellow
		046 ∘ 060	Magenta
		061 ∘ 075	Green
		076 ∘ 090	Orange
		091 ∘ 105	Blue
		106 ∘ 120	Light green
		121 ∘ 235	Light blue
136 ∘ 255	Rainbow or linear effect		
7	Gobo Wheel	000 ∘ 010	No gobo
		011 ∘ 020	Gobo 1
		021 ∘ 030	Gobo 2
		031 ∘ 040	Gobo 3
		041 ∘ 050	Gobo 4
		051 ∘ 060	Gobo 5
		061 ∘ 070	Gobo 6
		071 ∘ 080	Gobo 7
		081 ∘ 095	Shaking gobo 7
		096 ∘ 110	Shaking gobo 6
		111 ∘ 125	Shaking gobo 5
		126 ∘ 140	Shaking gobo 4
		141 ∘ 155	Shaking gobo 3
		156 ∘ 170	Shaking gobo 2
		171 ∘ 185	Shaking gobo 1
		186 ∘ 255	Flow effect
		8	Gobo Wheel Rotation
061 ∘ 150	CW rotation (slow~fast)		
151 ∘ 165	No function		
166 ∘ 255	CCW rotation (slow~fast)		
9	Prism	000 ∘ 127	Prism off
		128 ∘ 255	Prism on
10	Dimmer	000 ∘ 255	Dark ∘ Bright
11	Shutter/Strobe	000 ∘ 031	Close
		032 ∘ 063	Open
		064 ∘ 095	Strobe (slow~fast)
		096 ∘ 127	Open
		128 ∘ 159	Pulse strobe effect (slow~fast)
		160 ∘ 191	Open
		192 ∘ 223	Random strobe effect (slow~fast)
224 ∘ 255	Open		
12	Control	000 ∘ 019	No function
		020 ∘ 039	Pan/tilt black activation (3 s delay)
		040 ∘ 059	Pan/tilt black deactivation (3 s delay)
		060 ∘ 139	No function
		140 ∘ 149	Auto 1 (3 s delay)
		150 ∘ 159	Auto 2 (3 s delay)
		160 ∘ 169	Test (3 s delay)
		170 ∘ 179	Custom
		180 ∘ 189	Sound 1(3 s delay)
		190 ∘ 199	Sound 2(3 s delay)
		200 ∘ 219	Reset (3 s delay)
220 ∘ 255	No function		

5. Technical Information

General Maintenance

To maintain optimum performance and minimize wear, the user should clean the light fixtures frequently. Usage and environment are contributing factors in determining the cleaning frequency. As a rule, the user should clean the fixtures at least twice a month. Dust build up reduces light output performance and can cause overheating. This can lead to reduced light source life and increased mechanical wear.

CHAUVET® recommends cleaning the fixture's external optics with a soft cloth using normal glass cleaning fluid.

To clean a fixture, follow the recommendations below:

- Unplug the fixture from power.
- Wait until the fixture is cold.
- Use a vacuum (or dry compressed air) and a soft brush to remove dust collected on the external vents and reachable internal components.
- Clean all external optics and glass surfaces with a mild solution of glass cleaner or isopropyl alcohol, and a soft, lint free cotton cloth or a lens cleaning tissue.
- Apply the solution directly to the cloth or tissue and drag any dirt or grime to the outside of the lens.
- Gently polish the external glass surfaces until they are free of haze and lint.
- When cleaning units with a movable mirror, you should keep the contact with the mirror surface to a minimum to avoid scratching or damaging it.

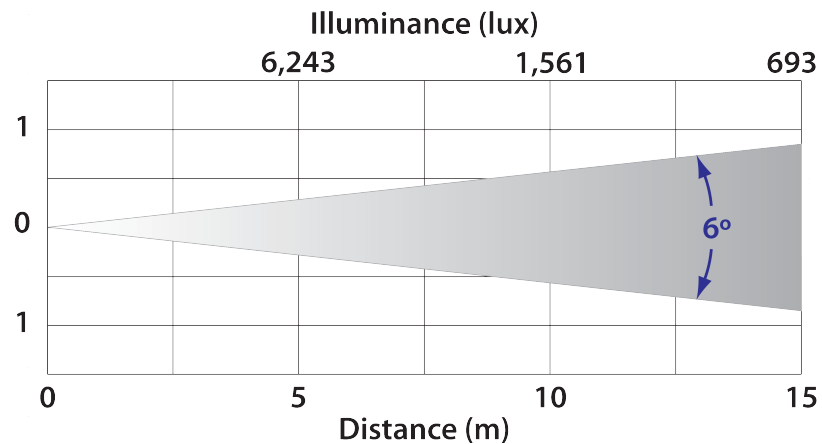


Always dry the external optics and glass surfaces carefully after cleaning them.



If the fixture has one or more cooling fans, refrain from spinning them using compressed air.

Photometrics



Troubleshooting Guide

Symptom	Cause(s)	Action(s)
Fixture is on LED is off	<ul style="list-style-type: none"> LED connection problems Faulty LED Faulty LED driver 	<ul style="list-style-type: none"> Reconnect LED Replace LED Replace LED driver
Fixture is on Head fan is off	<ul style="list-style-type: none"> Faulty head fan Faulty LED driver 	<ul style="list-style-type: none"> Replace head fan Replace LED driver
Fixture is on Base fan is off	<ul style="list-style-type: none"> Faulty base fan Faulty power supply 	<ul style="list-style-type: none"> Replace base fan Replace power supply
Color wheel problem	<ul style="list-style-type: none"> Faulty color wheel motor Faulty sensor board Faulty X/Y control board 	<ul style="list-style-type: none"> Replace color wheel motor Replace sensor board Replace X/Y control board
Prism problem	<ul style="list-style-type: none"> Faulty prism motor Faulty prism belt Faulty X/Y control board 	<ul style="list-style-type: none"> Replace prism motor Replace prism belt Replace X/Y control board
Gobo wheel problem	<ul style="list-style-type: none"> Faulty gobo wheel motor Blocked gobo wheel Faulty sensor board Faulty X/Y control board 	<ul style="list-style-type: none"> Replace gobo wheel motor Unblock Replace sensor board Replace X/Y control board
Pan movement problem	<ul style="list-style-type: none"> Faulty pan motor Faulty pan belt Faulty magnetic sensor Faulty optical sensor Faulty X/Y control board 	<ul style="list-style-type: none"> Replace pan motor Replace pan belt Replace magnetic sensor Replace optical sensor Replace X/Y control board
Tilt movement problem	<ul style="list-style-type: none"> Faulty tilt motor Faulty tilt belt Faulty magnetic sensor Faulty optical sensor Faulty X/Y control board 	<ul style="list-style-type: none"> Replace tilt motor Replace tilt belt Replace magnetic sensor Replace optical sensor Replace X/Y control board
Circuit breaker/fuse keeps tripping/blowing	<ul style="list-style-type: none"> Excessive circuit load Short circuit along the power wires 	<ul style="list-style-type: none"> Check total load placed on the electrical circuit Check for a short in the electrical wiring
Fixture does not power up	<ul style="list-style-type: none"> No power Loose or damaged power cord Blown fuse Faulty On/Off switch Faulty internal power supply 	<ul style="list-style-type: none"> Check for power on power outlet Check power cord Replace fuse Replace On/Off switch Replace internal power supply
Fixture does not respond to DMX	<ul style="list-style-type: none"> Wrong DMX addressing Damaged DMX cables Wrong polarity on the controller Loose DMX cables Faulty DMX interface Faulty Display board 	<ul style="list-style-type: none"> Check control panel and unit addressing Check DMX cables Check polarity switch settings on the controller Check cable connections Replace the display board Replace the display board
DMX signal problems	<ul style="list-style-type: none"> Non DMX cables Bouncing signals Long cable / low level signal Too many fixtures Interference from AC wires 	<ul style="list-style-type: none"> Use only DMX compatible cables Install terminator as suggested Install an optically coupled DMX splitter right after the fixture with the strong signal Install an optically coupled DMX splitter after unit #32 or before Keep DMX cables separated from power cables or fluorescent/black lights



If you still experience technical problems after trying the above solutions, contact CHAUVET® Technical Support.

Returns Procedure

The user must send the merchandise prepaid, in the original box, and with its original packing and accessories. CHAUVET® will not issue call tags.

Call CHAUVET® and request a Return Merchandise Authorization Number (RMA #) before shipping the fixture. Be prepared to provide the model number, serial number, and a brief description of the cause for the return.

The user must clearly label the package with a Return Merchandise Authorization Number (RMA #). CHAUVET® will refuse any product returned without an RMA #.



DO NOT write the RMA # directly on the box. Instead, write it on a properly affixed label.

Once you receive the RMA #, please include the following information on a piece of paper inside the box:

- Your name
- Your address
- Your phone number
- The RMA #
- A brief description of the problem

Be sure to pack the fixture properly. Any shipping damage resulting from inadequate packaging will be the customer's responsibility. As a suggestion, proper UPS packing or double-boxing is always a safe method to use.



CHAUVET® reserves the right to use its own discretion to repair or replace returned product(s).

Claims

The carrier is responsible for any damage incurred during shipping to this product or any part that shipped with it. Therefore, if the received merchandise appears to have damages caused during shipping, the customer must submit the damage report and any related claims with the carrier, not CHAUVET®. The customer must submit the report upon reception of the damaged merchandise. Failure to do so in a timely manner may invalidate the customer's claim with the carrier.

For other issues such as missing components or parts, damage not related to shipping, or concealed damage, the customer must make claims to CHAUVET® within seven (7) days of receiving the merchandise.

Contact Us

World Headquarters

General Information

CHAUVET®
 5200 NW 108th Avenue
 Sunrise, FL 33351
 Voice: (954) 929-1115
 Fax: (954) 929-5560
 Toll free: (800) 762-1084

Technical Support

Voice: (954) 929-1115 (Press 4)
 Fax: (954) 756-8015

World Wide Web

www.chauvetlighting.com

Technical Specifications

Dimensions and Weight

Length	Width	Height	Weight
13.6 (347 mm)	12.6 in (321 mm)	21.4 in (545 mm)	27.8 lbs (12.6 kg)

Note: Dimensions in inches rounded to the nearest decimal digit.

Power

Power Supply Type	Range	Voltage Selection
Switching (internal)	100~240 V, 50/60 Hz	Auto-ranging

Parameter	120 V, 60 Hz	230 V, 50 Hz
Consumption	150 W (1.25 A)	150 W (0.65 A)
Inrush current	0.3 A	1.1 A

Power I/O	Input	Output
Connectors	IEC	N/A
Cord plug	Edison	N/A

Light Source

Type	Power	Lifespan
LED	60 W	50,000 hours

Color	Quantity	Current
White	1	12,000 mA

Photo Optic

Parameter	Standard Optics
Illuminance @ 5 m	6,243 lx
Beam angle	6°

Head Movement

Pan Range	Tilt Range	Fine Adjustment Option
0~540°	0~270°	Yes (Advanced Mode)

Gobos

External Diameter	Image Diameter	Thickness
25.95 mm	19 mm	1.1 mm max.

Thermal

Maximum External Temp.	Cooling System
104° F (40° C)	Fan

DMX

I/O Connectors	Connector Type	Channel Range
3-pin XLR	Sockets	9 and 12

Ordering

Q-Beam 260-LED
QBEAM260LED

CHAUVET®
5200 NW 108th Avenue
Sunrise, FL 33351 (USA)
(800) 762-1084 – (954) 929-1115
FAX (954) 929-5560
www.chauvetlighting.com

Q-Beam 260-LED User Manual Rev. 01d
December 2010



It's Green Thinking