

### FEATURED MODEL

**157-185-CB** BLANCOACCLAIM Kitchen Pull-out Faucet in Café Brown

### ADDITIONAL MODELS

**157-185-CR** Polished Chrome

**157-185-ST** Stainless

### FEATURES

- Solid brass body with dual control Pull-out spray
- Ceramic disc cartridge
- Color coded hot & cold supply lines
- Durable spiral flexible pull-out spray hose
- Maximum 2.2 G.P.M. flow rate
- Installation in a 1-3/8" hole
- Taller Height and "space saving" reach for enhanced work space efficiency and ease of operation

### CODE/STANDARDS COMPLIANCE

ASME A112.18.1-2005

NSF 61 Certified in conformance to the Uniform Plumbing Code (UPC)

### WARRANTY

Blanco America's Kitchen faucets in Chrome and Stainless feature a LIMITED LIFETIME WARRANTY to be free of all manufacturing defects under normal use. 5-YEAR LIMITED LIFETIME WARRANTY on Café Brown. See our complete warranty for details.

While Blanco America endeavors to provide accurate information, all dimensions are nominal, cannot be guaranteed, and are subject to change or cancellation. Blanco America assumes no responsibility for use of superseded or voided specifications.

### PRODUCT SPECIFICATION

Kitchen faucet to include lever handle and pull-out spray, with solid brass body and ceramic disc cartridge. Faucet dimensions to be as follows: Reach: 7-1/2"; Spout Height: 12-3/4", and Faucet Height: 14-5/8". Hot and cold supply lines to be color coded. Kitchen faucet to be BLANCOACCLAIM™, Model 157-185-\_\_\_\_\_in\_\_\_\_\_finish.

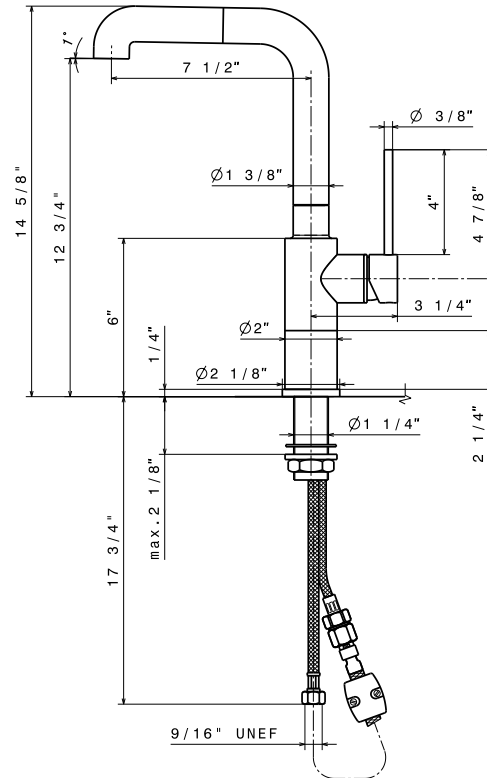
- Polished Chrome 157-185-CR
- Stainless 157-185-ST
- Café Brown 157-185-CB



MODEL 157-185

### NOMINAL DIMENSIONS

MODEL	REACH	SPOUT HEIGHT	FAUCET HEIGHT
157-185	7-1/2	12-3/4	14-5/8



See next page for exploded parts drawing and parts list.

### JOB INFORMATION

Job Name: \_\_\_\_\_

Contact: \_\_\_\_\_

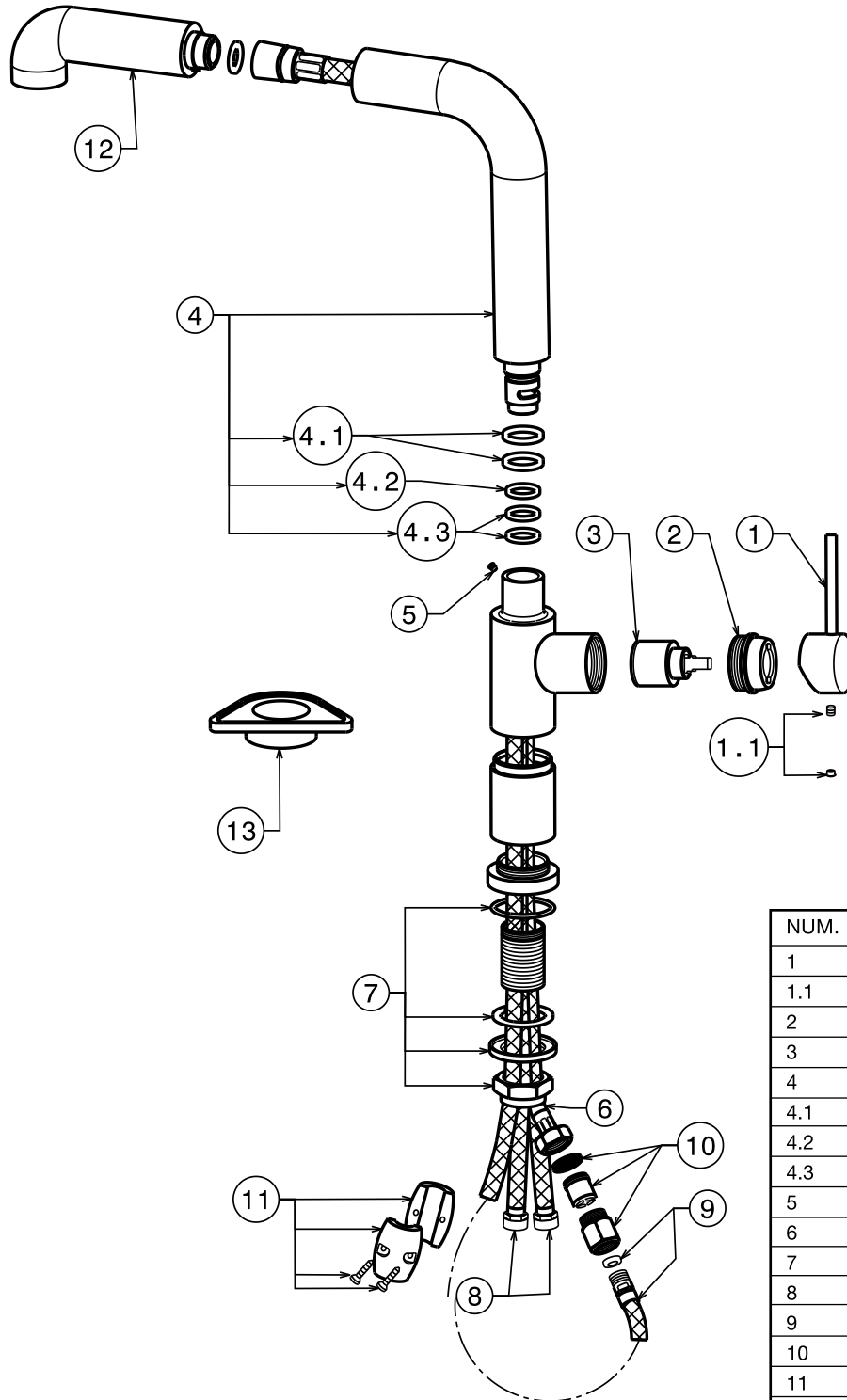
Date Specified: \_\_\_\_\_

Specifier: \_\_\_\_\_

Contractor: \_\_\_\_\_

**BLANCO AMERICA**  
**800.451.5782**  
**www.blancoamerica.com**

BLANCOACCLAIM™ MODEL 157-185



NUM.	PART #	DESCRIPTION
1	20670	LEVER
1.1	16125	SCREW+CAP FOR LEVER
2	11881	CARTRIDGE LOCK NUT
3	14720	CARTRIDGE LOCK NUT
4	20675	SPOUT
4.1	17909	PLASTIC RINGS FOR SPOUT
4.2	10951	O-RINGS FOR SPOUT
4.3	17912	PLASTIC RINGS FOR SPOUT
5	10236	SPOUT HOLDING SCREW
6	15924	SHORT FLEXI-HOSE
7	12040	MOUNTING SET
8	16559	FLEXI-HOSES
9	15102	SPRAY HOSE
10	15751	NO-RETURN VALVE+HOUSING
11	16599	WEIGHT
12	20621	SPRAY HOSE
13	11953	FITTING