

FEATURED MODEL

157-091-CR BLANCOMILANO™ Faucet in Polished Chrome

ADDITIONAL MODELS

157-091-ST Stainless (Satin Nickel)

157-091-ANTH Anthracite

FEATURES

- Solid brass body
- Ceramic disc cartridge
- Reversible mounting hardware adapts to thick or thin mounting surfaces
- 2.2 G.P.M. flow rate
- Installation in a 1-3/8" hole, side spray in 1-3/8" hole

CODE/STANDARDS COMPLIANCE

ASME A112.18.1-2005

IAPMO Listed

WARRANTY

Blanco America's Kitchen faucets feature a "NO HASSLE" LIMITED LIFETIME WARRANTY to be free of all manufacturing defects under normal use. See our complete warranty for details.

While Blanco America endeavors to provide accurate information, all dimensions are nominal, cannot be guaranteed, and are subject to change or cancellation. Blanco America assumes no responsibility for use of superseded or voided specifications.

PRODUCT SPECIFICATION

Kitchen faucet to include solid brass body, ceramic disc cartridge, decorative lever handle and side spray. Faucet dimensions to be as follows: Reach: 9-1/4"; Spout Height: 7-1/4". Reversible mounting hardware to adapt to thick or thin mounting surfaces. Kitchen faucet to be BLANCOMILANO™, Model 157-091-_____ in _____ finish.

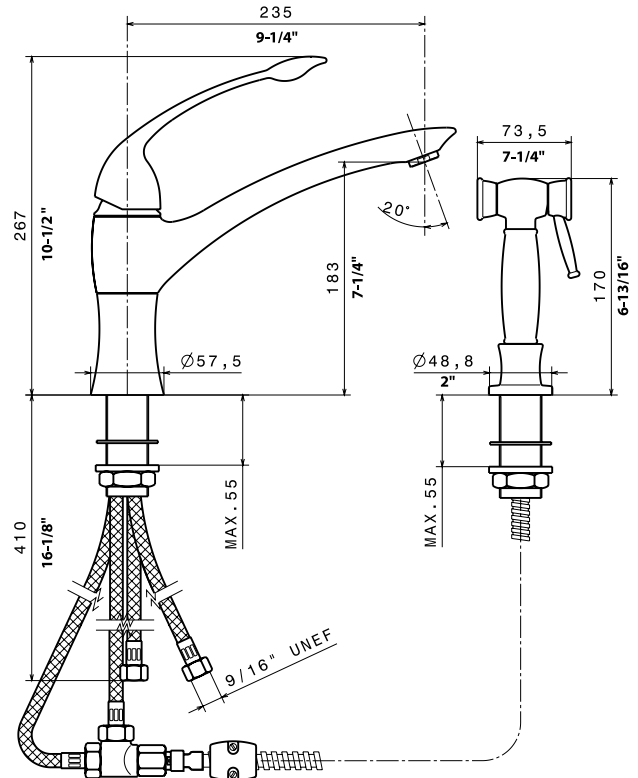
- Polished Chrome 157-091-CR
- Stainless (Satin Nickel) 157-091-ST
- Anthracite 157-091-ANTH



MODEL 157-091

NOMINAL DIMENSIONS

MODEL	REACH	SPOUT HEIGHT	FAUCET HEIGHT
157-091	9-1/4"	7-1/4"	10-1/2"



See next page for exploded parts drawing and parts list.

JOB INFORMATION

Job Name: _____

Contact: _____

Date Specified: _____

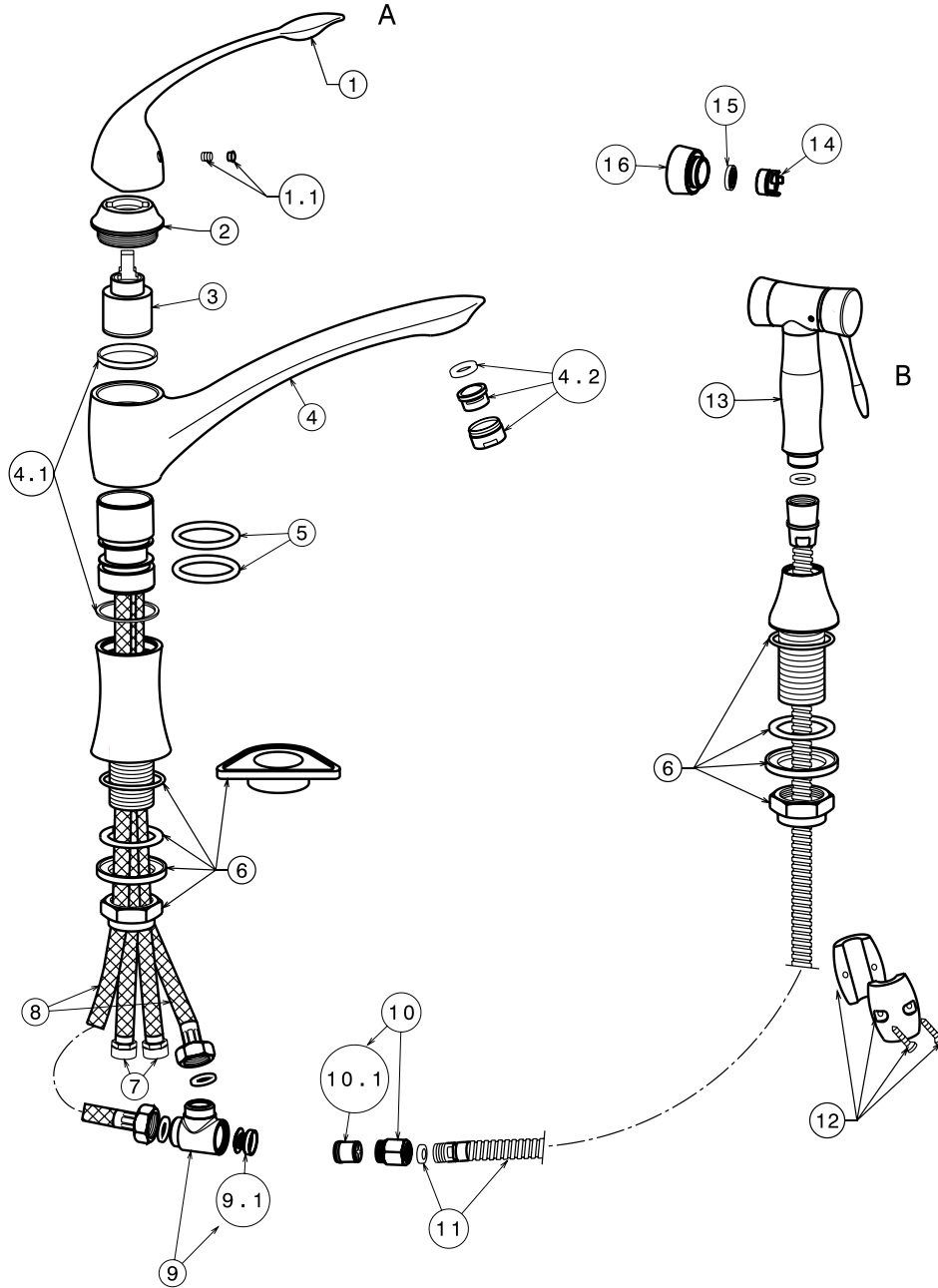
Specifier: _____

Contractor: _____

BLANCO AMERICA
800.451.5782
www.blancoamerica.com

BLANCOMILANO™ With Side Spray

MODEL 157-091



NUM.	DOC. PART #
1	16200
1.1	14538
2	16201
3	14720
4	16280
4.1	16281
4.2	89
5	15608
6	17928
7	15005
8	15003
9	16282
9.1	16283
10	15753
10.1	15701
11	15101
12	10618
13	12050
14	16284
15	16285
16	18307
17	16286