

FEATURED MODEL

515-542 White, 10" and 9" bowl depths

ADDITIONAL MODELS

515-541 Metallic Gray, 10" and 9" bowl depths

515-543 Biscuit, 10" and 9" bowl depths

515-544 Anthracite, 10" and 9" bowl depths

515-545 Café Brown, 10" and 9" bowl depths

FEATURES

- 80% rock hard granite
- Color all the way through
- Highly resistant to scratching, staining and all household acids and alkali solutions
- Non-porous, easy-to-clean
- Heat resistant to 536° F
- Extremely hygienic, does not absorb odors or bacteria

CODE/STANDARDS COMPLIANCE

ANSI Z124.6-97

IAPMO/UPC listed

OPTIONAL ACCESSORIES

Sink Grids: 222-462 (Small Bowl)

222-464 (Large Bowl)

Colander: 514-015

Cutting Board: 222-589

WARRANTY

Blanco America's SILGRANIT® Series sinks feature a LIMITED LIFETIME WARRANTY to be free of all manufacturing defects under normal use. See our complete warranty for details.

While Blanco America endeavors to provide accurate information, all dimensions are nominal, cannot be guaranteed, and are subject to change or cancellation. Blanco America assumes no responsibility for use of superseded or voided specifications.

PRODUCT SPECIFICATION

Undermount sink to be 1-3/4 bowl design, 37-1/2" in length and 20-1/2" in front-to-back depth. Sink to be made from Silgranit® hard composite material. Sink to feature rear drain placement with left bowl depth of 10" and right bowl depth of 9". Sink to be Blanco (Check one):

- Model 515-541 Model 515-542
 Model 515-543 Model 515-544
 Model 515-545

- Metallic Gray 515-541 White 515-542
 Biscuit 515-543 Anthracite 515-544
 Café Brown 515-545

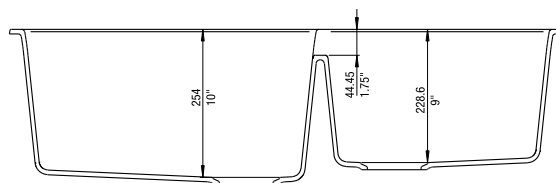
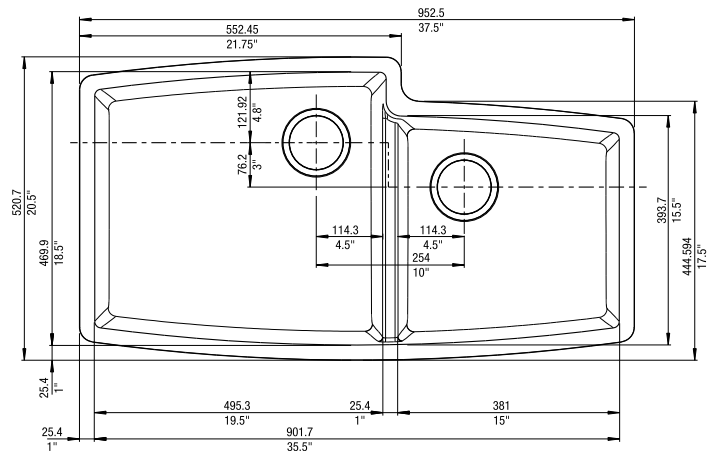


MODEL 515-542

NOMINAL DIMENSIONS

OVERALL	CUTOUT SIZE	BOWL DEPTH		DRAIN DIAMETER
		LEFT	RIGHT	
37-1/2 x 20-1/2	Template provided with 1/8" reveal	10	9	3-1/2

DXF cutout templates available on our web site.



JOB INFORMATION

Job Name: _____

Contact: _____

Date Specified: _____

Specifier: _____

Contractor: _____