

FEATURED MODEL

512-749 10" & 8" bowl depths

FEATURES

- 18 gauge, 304 series stainless steel
- 18/10 chrome/nickel content
- Handcrafted from a single panel of stainless steel
- Zero radius corners
- Elegant and functional drain grooves
- Long-lasting, easy-to-clean, satin polished finish
- Sound-deadening insulation
- Rear drain placement

CODE/STANDARDS COMPLIANCE

ASME 112.19.3-00

IAPMO/UPC listed

OPTIONAL ACCESSORY

Sink Grid: 512-940

Colanders: 215-651, 218-772

Cutting Board: 218-620

WARRANTY

Blanco America's BLANCOPRECISION™ SERIES sinks feature a "NO HASSLE" LIMITED LIFETIME WARRANTY to be free of all manufacturing defects under normal use. See our complete warranty for details.

While Blanco America endeavors to provide accurate information, all dimensions are nominal, cannot be guaranteed, and are subject to change or cancellation. Blanco America assumes no responsibility for use of superseded or voided specifications.

PRODUCT SPECIFICATION

Undermount sink to be 29" in length and 20" in front-to-back depth. Sink to be handcrafted from a single panel of 18 gauge, 304 series stainless steel, with 18/10 chrome/nickel content and satin polished finish. Sink to feature zero radius corners and rear drain placement. Sink to be Blanco Model 512-749, with large bowl depth of 10" and small bowl depth of 8".

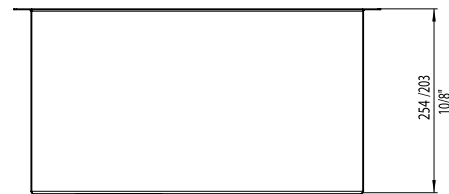
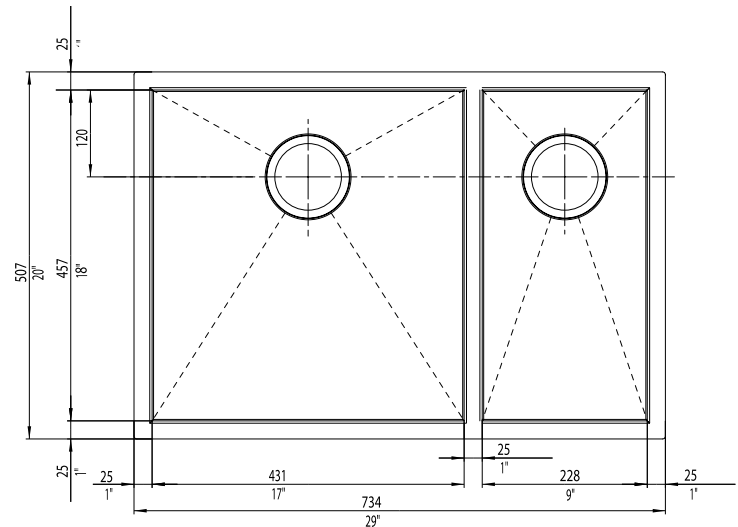


MODEL 512-749

NOMINAL DIMENSIONS

MODEL	OVERALL	BOWL DEPTH		DRAIN DIAMETER
		LEFT	RIGHT	
512-749	29 x 20	10	8	3-1/2

DXF cutout templates available on our web site or this specification CD.



JOB INFORMATION

Job Name: _____

Contact: _____

Date Specified: _____

Specifier: _____

Contractor: _____