

FEATURED MODEL

510-883 8" & 7" bowl depths

ADDITIONAL MODELS

510-882 Left side large bowl, 10" & 7" bowl depths

510-882R Right side large bowl, 7" & 10" bowl depths

514-470 Left side large bowl, 9" & 7" bowl depths

514-471 Right side large bowl, 7" & 9" bowl depths

FEATURES

- 18 gauge, 304 series stainless steel
- 18/10 chrome/nickel content
- Long-lasting, easy-to-clean, satin polished finish
- Rear drain placement

CODE/STANDARDS COMPLIANCE

ASME 112.19.3-00

IAPMO/UPC listed

OPTIONAL ACCESSORIES

Sink Grids: 220-991 (Formerly 510-901)

220-992 (Formerly 510-900)

Colanders: 215-651, 510-889

221-027 (Formerly 508-803)

WARRANTY

Blanco America's Platinum Series sinks feature a "NO HASSLE" LIMITED LIFETIME WARRANTY to be free of all manufacturing defects under normal use. See our complete warranty for details.

While Blanco America endeavors to provide accurate information, all dimensions are nominal, cannot be guaranteed, and are subject to change or cancellation. Blanco America assumes no responsibility for use of superseded or voided specifications.

PRODUCT SPECIFICATION

Undermount sink to be 1-3/4 bowl design, 37-13/32" in length and 20-7/8" in front-to-back depth. Sink to be made from 18 gauge, 304 series stainless steel, with 18/10 chrome/nickel content and satin polished finish. Sink to feature rear drain placement. Sink to be Blanco Model 510-883, with large bowl depth of 8" and small bowl depth of 7".

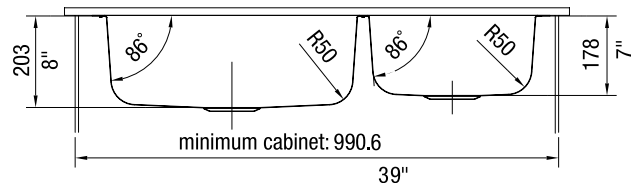
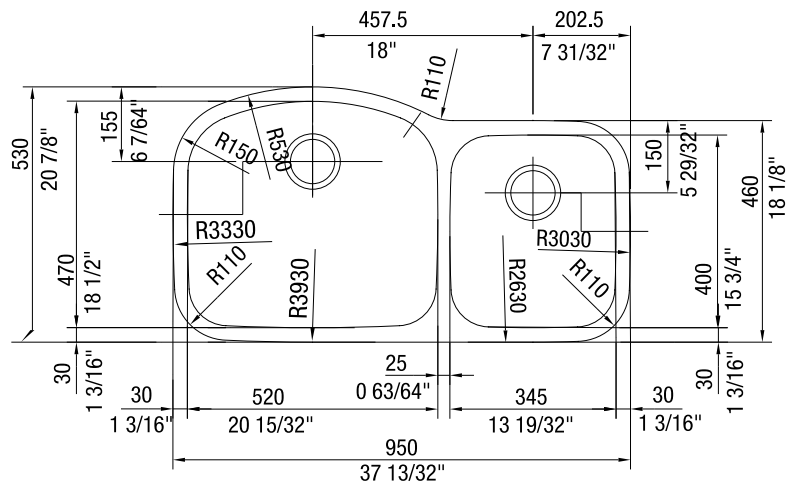


MODEL 510-883

NOMINAL DIMENSIONS

| MODEL | OVERALL | CUTOUT SIZE | BOWL DEPTH LEFT | BOWL DEPTH RIGHT | DRAIN DIAMETER |
|---------|-------------------|--|-----------------|------------------|----------------|
| 510-883 | 37-13/32 x 20-7/8 | Template provided with approximate 1/8" reveal | 8 | 7 | 3-1/2 |

DXF cutout templates available on our web site.



JOB INFORMATION

Job Name: _____

Contact: _____

Date Specified: _____

Specifier: _____

Contractor: _____