

### FEATURED MODEL

**157-090-CR**      **BLANCORADOS Kitchen Faucet in Polished Chrome**

### ADDITIONAL MODELS

**157-090-CR/CR**      **Polished Chrome with Polished Chrome Spray**

**157-090-ST**      **Stainless (Satin Nickel)**

**157-090-ST/ST**      **Stainless (Satin Nickel) with Stainless (Satin Nickel) Spray**

### FEATURES

- Solid brass body
- Ceramic disc cartridge
- Color coded hot & cold supply lines
- Durable spiral flexible pull-down spray hose
- Reversible mounting hardware adapts to thick or thin mounting surfaces
- 2.2 G.P.M. flow rate
- Installation in a 1-3/8" hole

### CODE/STANDARDS COMPLIANCE

ASME A112.18.1-2005

IAPMO Listed

### WARRANTY

Blanco America's Kitchen faucets feature a "NO HASSLE" LIMITED LIFETIME WARRANTY to be free of all manufacturing defects under normal use. See our complete warranty for details.

While Blanco America endeavors to provide accurate information, all dimensions are nominal, cannot be guaranteed, and are subject to change or cancellation. Blanco America assumes no responsibility for use of superseded or voided specifications.

### PRODUCT SPECIFICATION

Kitchen faucet to include lever handle and pull-down spray, with solid brass body and ceramic disc cartridge. Faucet dimensions to be as follows: Reach: 10"; Spout Height: 8-1/2". Hot and cold supply lines to be color coded. Reversible mounting hardware to adapt to thick or thin mounting surfaces. Kitchen faucet to be BLANCORADOS™, Model 157-090-\_\_\_\_\_in\_\_\_\_\_finish.

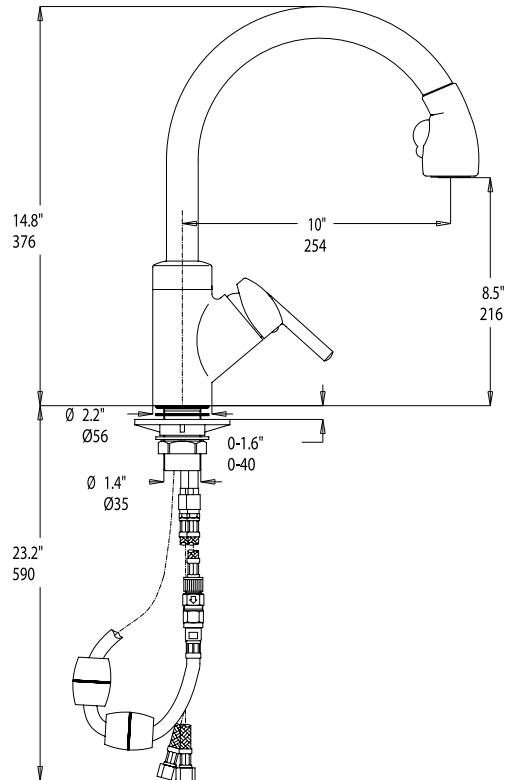
- Polished Chrome 157-090-CR
- Polished Chrome 157-090-CR/CR
- Stainless (Satin Nickel) 157-090-ST
- Stainless (Satin Nickel) 157-090-ST/ST



MODEL 157-090

### NOMINAL DIMENSIONS

MODEL	REACH	SPOUT HEIGHT	FAUCET HEIGHT
157-090	10	8-1/2	15



See next page for exploded parts drawing and parts list.

### JOB INFORMATION

Job Name: \_\_\_\_\_

Contact: \_\_\_\_\_

Date Specified: \_\_\_\_\_

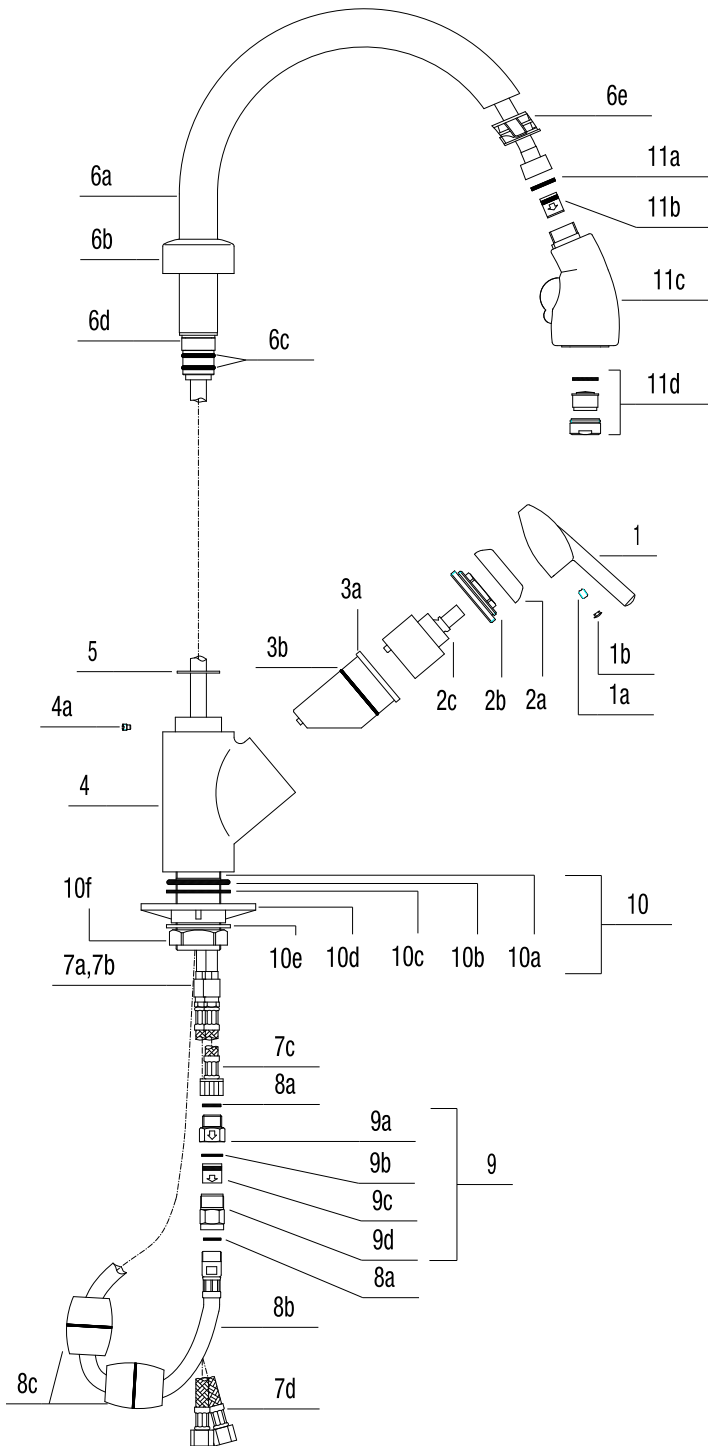
Specifier: \_\_\_\_\_

Contractor: \_\_\_\_\_

**BLANCO AMERICA**  
**800.451.5782**  
**www.blancoamerica.com**

### BLANCORADOS™

### MODEL 157-090



NUM.	DOC. PART #	DESCRIPTION
1	3312	LEVER
1a	2058	SCREW
1b	1270	BUTTON
2a	3303	CAP
2b	3311	NUT
2c	2408	CARTRIDGE
3a	3313	INSERT
3b	1.78X41	O'RING
4	3316	BODY
4a	467	SCREW
5	3307	TEFLON RING
6a	3382	SPOUT
6b	3376	CAP
6c	2.62X18.72	O'RING
6d	2623	TEFLON RING
6e	3371	INSERT
7a	3326	EXTENSION OUTLET
7b	1.78X7.94	O'RING
7c	3330	SUPPLY TUBE
7d	2350	HOSE
8a	13.7X10X1.5	FIBER
8b	3377	HOSE
8c	2582	WEIGHT
9	1-3115	CHECK VALVE ASSY
9a	3116	NIPPLE
9b	16.5X12X1.5	FIBER
9c	2419	CHECK VALVE
9d	3115	CHECK VALVE BODY
10	1-3333	MOUNTING NUT ASSY
10a	3304	MOUNTING SLEEVE
10b	3.53X42.86	O'RING
10c	48X38X2	RUBBER WASHER
10d	3109	PLASTIC BASE
10e	2258	METAL WASHER
10f	3333	NUT
11a	3381	WASHER SCREEN
11b	1318	FLOW REGULATOR W/CHECK VALVE
11c	3302	PULL-DOWN SPRAY
11d	1-680	AERATOR SET