

### FEATURED MODEL

**157-010-CR** BLANCOHARVEST™ Bar Faucet in Polished Chrome

### ADDITIONAL MODELS

**157-010-ST** Stainless (Satin Nickel)

### FEATURES

- Solid brass body
- Ceramic disc cartridge
- 2.2 G.P.M. flow rate
- Extra long supply lines
- Installation in a 1-3/8" hole

### CODE/STANDARDS COMPLIANCE

ASME A112.18.1-2005

IAPMO Listed

### WARRANTY

Blanco America's Bar faucets feature a "NO HASSLE" LIMITED LIFETIME WARRANTY to be free of all manufacturing defects under normal use. See our complete warranty for details.

While Blanco America endeavors to provide accurate information, all dimensions are nominal, cannot be guaranteed, and are subject to change or cancellation. Blanco America assumes no responsibility for use of superseded or voided specifications.

### PRODUCT SPECIFICATION

Bar faucet to include lever handle with solid brass body, and ceramic disc cartridge. Faucet dimensions to be as follows: Reach: 7"; Spout Height: 3-1/8". Bar faucet to be BLANCOHARVEST™, Model 157-010-\_\_\_\_\_ in \_\_\_\_\_ finish.

Polished Chrome 157-010-CR

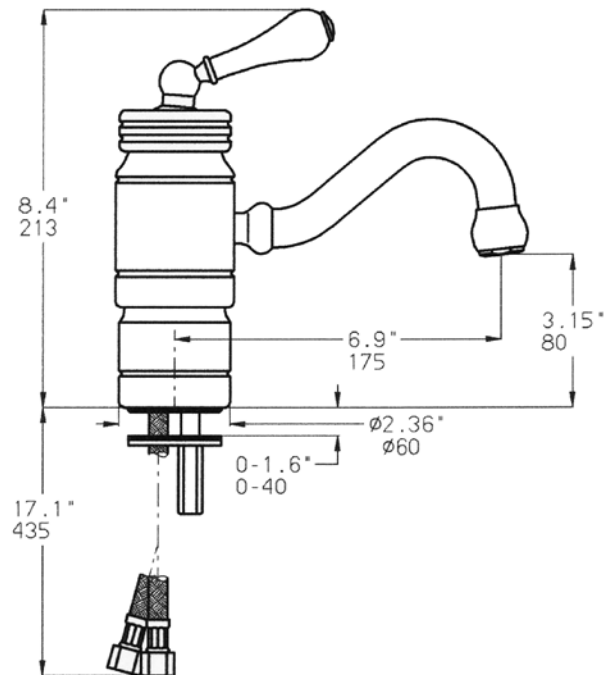
Stainless (Satin Nickel) 157-010-ST



MODEL 157-010

### NOMINAL DIMENSIONS

| MODEL   | REACH | SPOUT HEIGHT | FAUCET HEIGHT |
|---------|-------|--------------|---------------|
| 157-010 | 7     | 3-1/8        | 8-1/4         |



### JOB INFORMATION

Job Name: \_\_\_\_\_

Contact: \_\_\_\_\_

Date Specified: \_\_\_\_\_

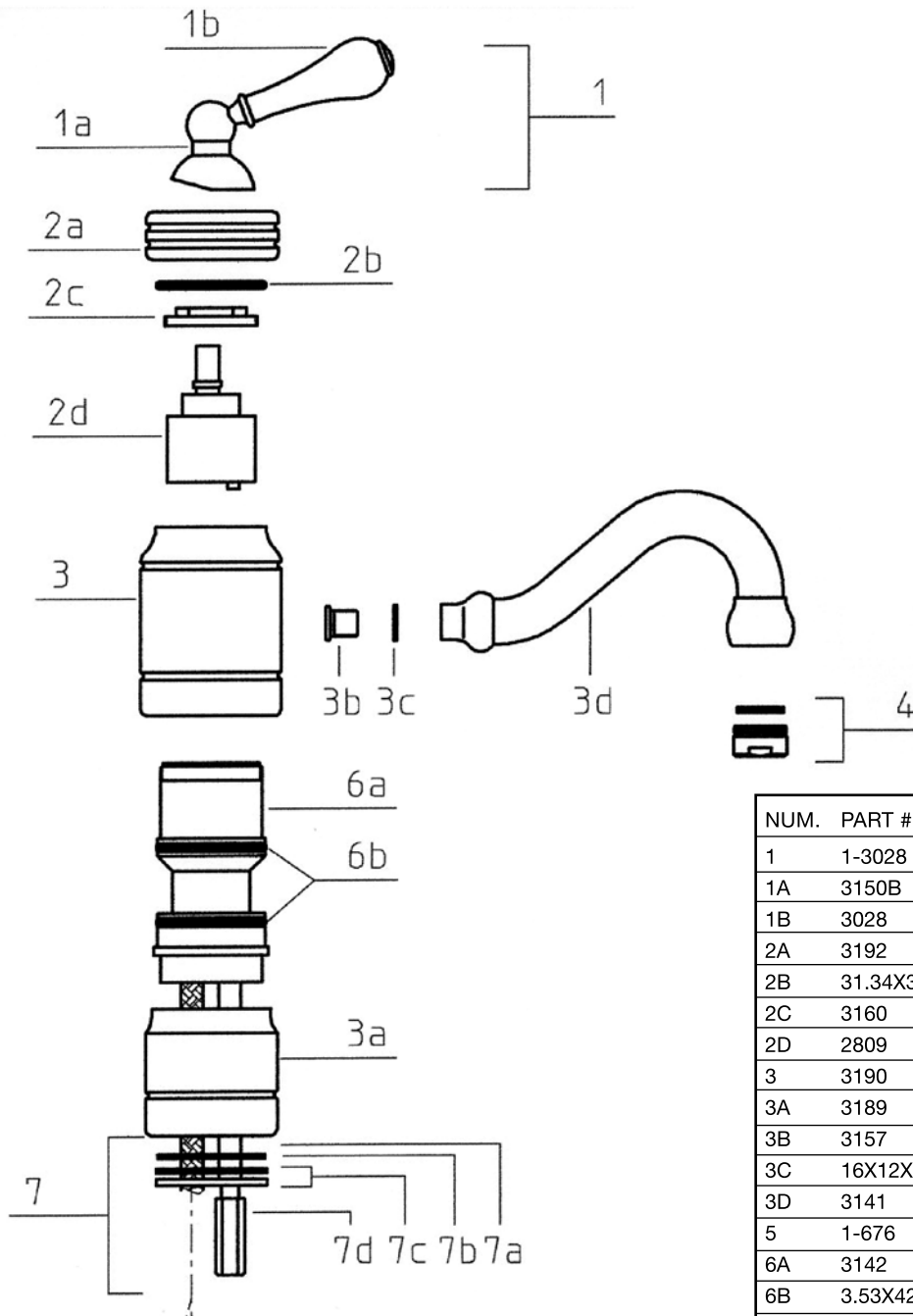
Specifier: \_\_\_\_\_

Contractor: \_\_\_\_\_

See next page for exploded parts drawing and parts list.

**BLANCO AMERICA**  
**800.451.5782**  
**www.blancoamerica.com**

### BLANCOHARVEST™ MODEL 157-010



| NUM. | PART #     | DESCRIPTION       |
|------|------------|-------------------|
| 1    | 1-3028     | LEVER ASSY        |
| 1A   | 3150B      | LEVER BASE        |
| 1B   | 3028       | LEVER             |
| 2A   | 3192       | CAP               |
| 2B   | 31.34X3.53 | O-RING            |
| 2C   | 3160       | NUT               |
| 2D   | 2809       | CARTRIDGE         |
| 3    | 3190       | BODY              |
| 3A   | 3189       | BASE              |
| 3B   | 3157       | NIPPLE            |
| 3C   | 16X12X.05  | FIBER             |
| 3D   | 3141       | SPOUT             |
| 5    | 1-676      | AERATOR SET       |
| 6A   | 3142       | INNER BODY        |
| 6B   | 3.53X42.86 | O-RING            |
| 7    | 1-2105     | MOUNTING NUT ASSY |
| 7A   | 3144       | SCREW             |
| 7B   | 48X34X2    | RUBBER WASHER     |
| 7C   | 2845       | METAL WASHER      |
| 7D   | 2105       | NUT               |