

Product Features

- Lever handle
- Single hole installation
- Ceramic cartridge
- Includes pop-up drain
- 2.2 gpm

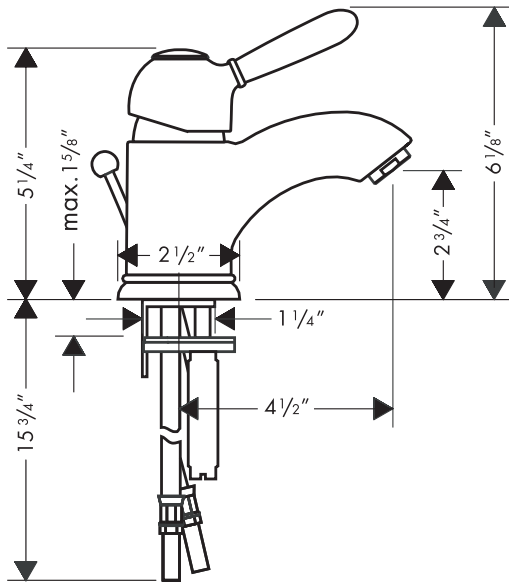
Code Compliance

This unit meets or exceeds the following:

- ADA compliant

Available Finishes

Chrome	17010001
Oil Rubbed Bronze	17010621
Brushed Nickel	17010821
Polished Nickel	17010831



Installation Notes

- 3/8" supply hoses - requires 3/8" compression fittings

The measurements shown are for reference only.

Products and specifications shown are subject to change without notice.

Specification sheet revised 4/2008