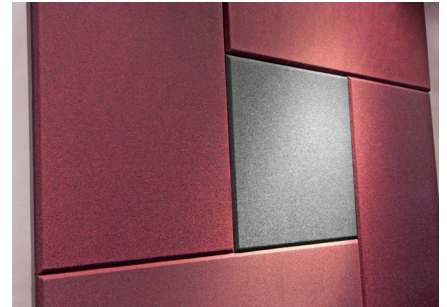


ELiTE™ ProPanel™

Installation Guide



Impaling Clips

Figure 1.1
Impaling Clip installation
side view

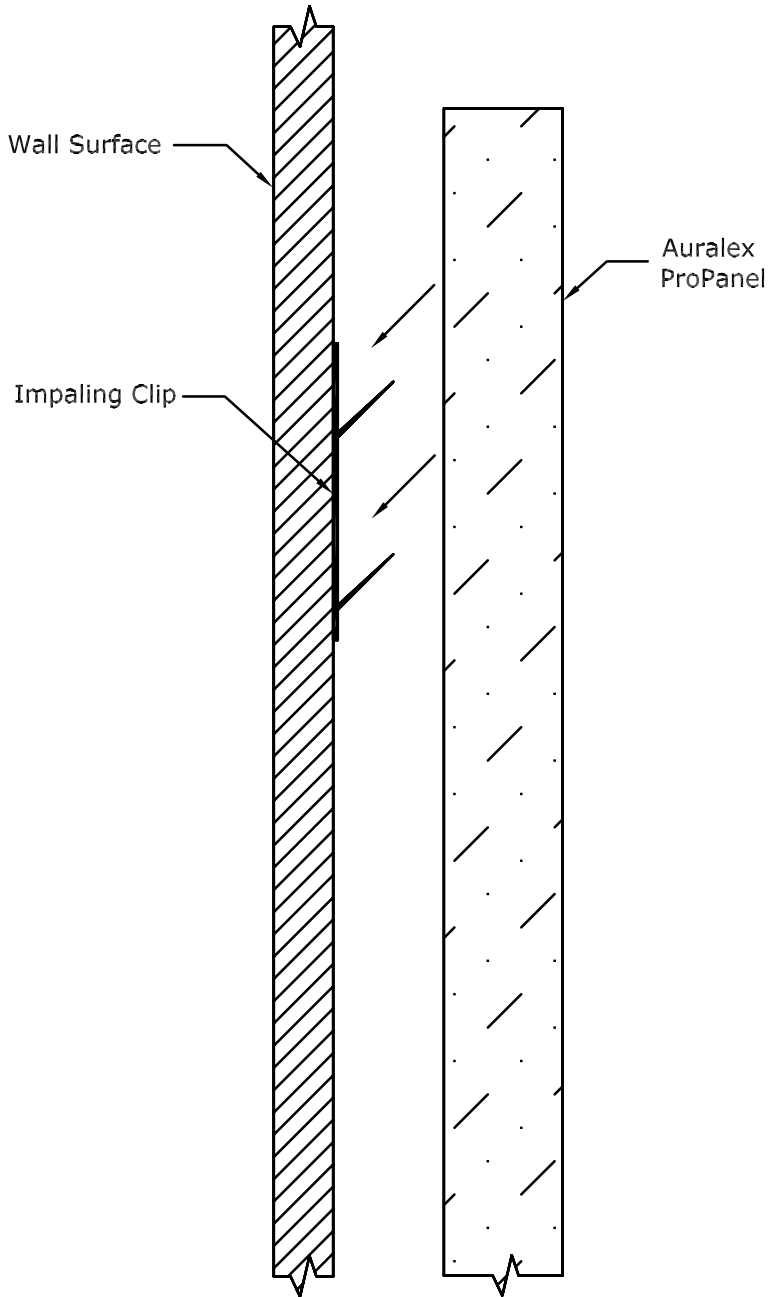


Figure 1.2
Impaling Clip placement
on 4'x8' panel

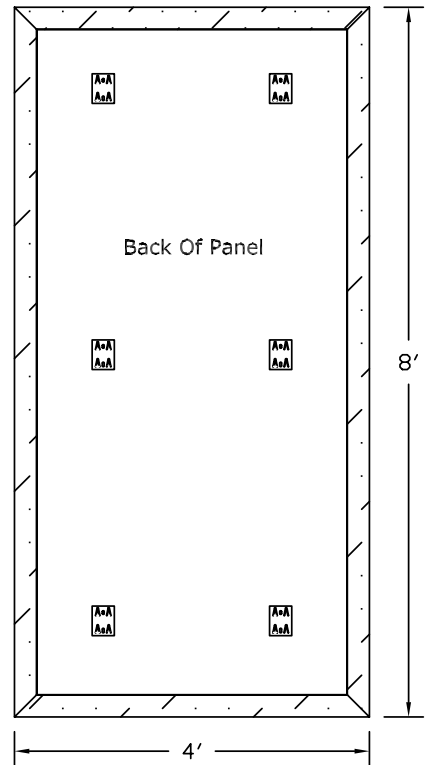
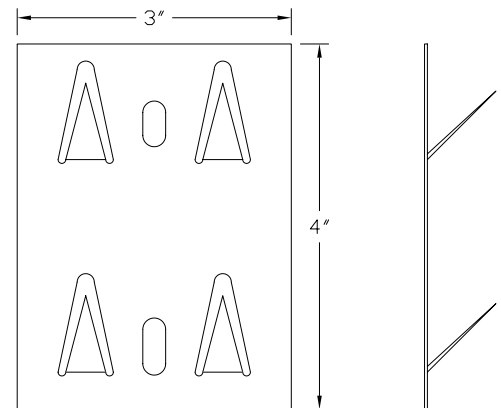


Figure 1.3
Impaling Clip detail



Impaling Clips

General guidelines for all panels:

1. Whenever moving panels, transport them with the shortest dimension in the vertical position to reduce potential stress or breaking of the fiberglass. Do not move panels parallel to the floor without additional support.
2. If light colored fabrics are used, it may be a good idea to wear white cotton gloves so dirt, grease or grime from the skin is not transferred to the fabric.
3. Lay out panels with a laser level (*preferred*), hand level or chalk line to ensure uniform installation. If panels are being placed directly up against one another, use the first panel as a reference point for adjoining panels to be installed.
4. Make sure the wall has a completely flat surface to install the panels to. Shim the panels if necessary to create a uniform front surface.

Installation using Impaling Clips

1. Mark the intended location of each panel on the wall.
2. Fasten impaling clips to the wall using drywall screws, concrete anchors or shots and pins for concrete block or pre-cast concrete walls using the guide below. Place the impaling clips 4" from the intended edge location and spread them evenly across the panel. (*see Figure 1.2*)

Panel Size (1" or 2" thick)	Number of Clips
2'x4'	4
4'x4'	4
4'x6'	6
4'x8'	6
4'x10'	8

NOTE: Panels over 2" thick must also use adhesives for installation.

3. Start the panel 3/4" higher than the intended wall location and press downward at a 45° angle toward the wall. (*see Figure 1.1*)
4. Shim the clips as necessary to ensure the front edge of the panel is flush with adjoining panels.
5. Do not apply excessive pressure to a single or multiple small locations on the panel so as to crush or dent the fiberglass core.
6. This installation method will leave a 3/4" reveal between the top of the panel and the ceiling.

Note on adhesives:

- The use of adhesives is highly suggested on all panel thicknesses for a secure permanent installation, though it is only mandatory for panels thicker than 2" or if they are being attached to the ceiling.
- Use ONLY water-based, heavy bodied adhesives, such as Auralex's Tubetak Pro.
- Apply the adhesive liberally to the fiberglass and to the teeth of the impaling clip, but do not apply any adhesive within 3" from the edge of the panel.

Adhesives

Figure 2.1
Adhesive installation
side view

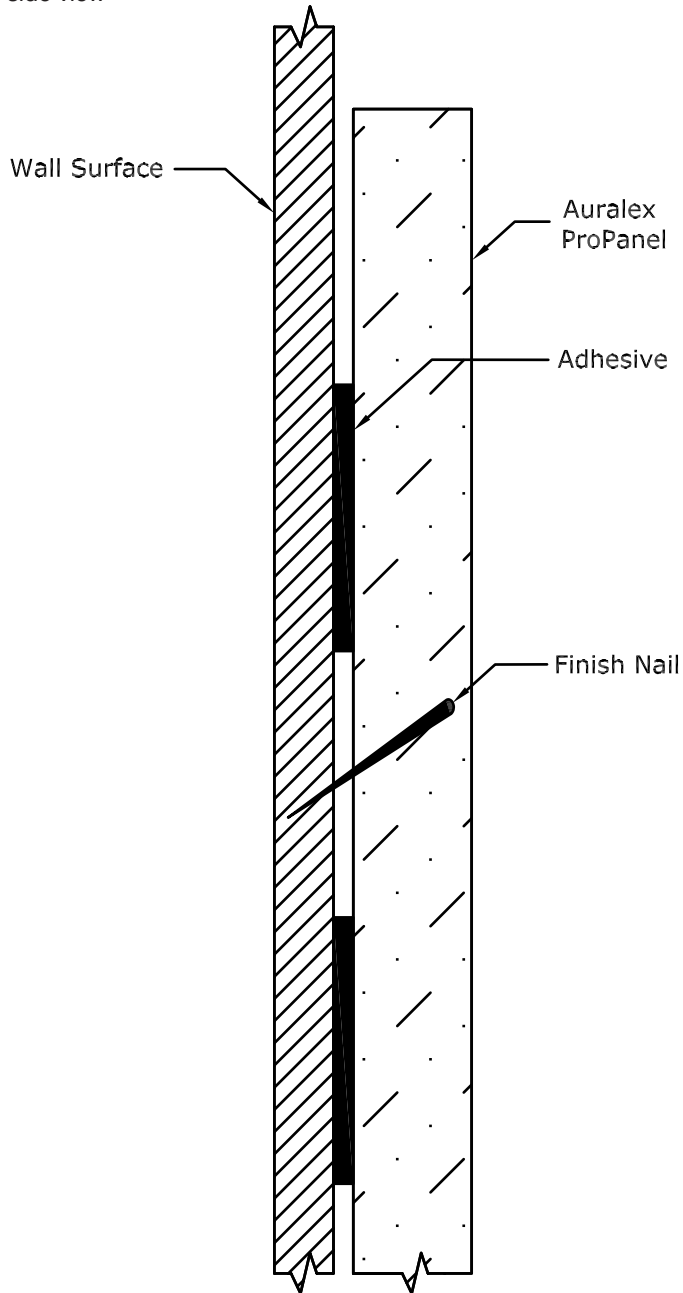
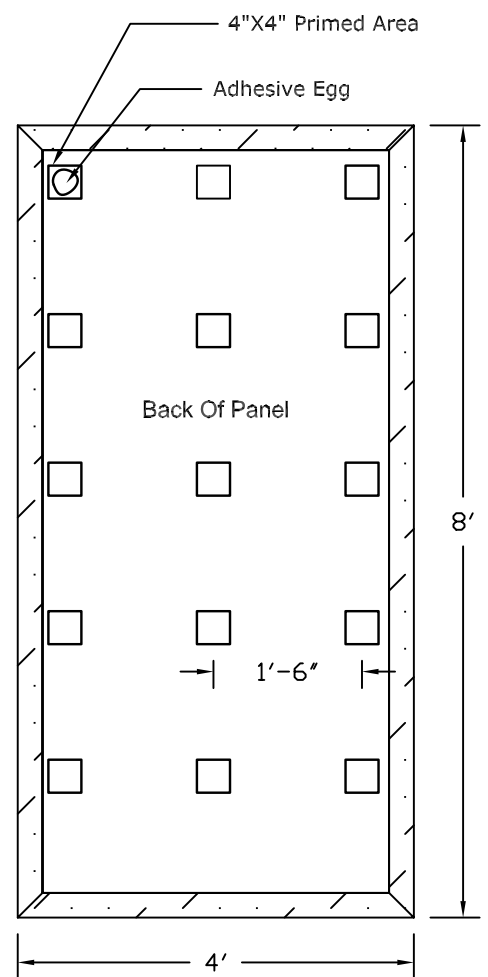


Figure 2.2
Adhesive placement
on 4'x8' panel



Adhesives

General guidelines for all panels:

1. Whenever moving panels, transport them with the shortest dimension in the vertical position to reduce potential stress or breaking of the fiberglass. Do not move panels parallel to the floor without additional support.
2. If light colored fabrics are used, it may be a good idea to wear white cotton gloves so dirt, grease or grime from the skin is not transferred to the fabric.
3. Lay out panels with a laser level (*preferred*), hand level or chalk line to ensure uniform installation. If panels are being placed directly up against one another, use the first panel as a reference point for adjoining panels to be installed.
4. Make sure the wall has a completely flat surface to install the panels to. Shim the panels if necessary to create a uniform front surface.

Installation using Adhesive

1. Make sure the wall is primed or painted with no dust or dirt and that the surface is flat with no protruding elements.
2. Mark the intended location of each panel on the wall.
3. With a putty knife, apply a thin coating of Tubetak Pro liquid adhesive in 4"x4" squares to the back of the panel on 18" centers to prime the substrate. Do not place any adhesive closer than 3" from the edge of the panel. (See *figure 2.2*)
4. Reapply adhesive onto primed areas in egg sized dabs.
5. Position the panel at marked installation location and press against the wall to flatten and spread out the adhesive.
6. Do not apply excessive pressure to a single or multiple small locations on the panel so as to crush or dent the fiberglass core.
7. Remove the panel and press against the wall for a second time making sure it is in its final position.
8. Block panel for 24-48 hours while adhesive sets or secure panel with finish nails. (see *figure 2.1*)

Note on adhesives:

- The use of adhesives is highly suggested on all panel thicknesses to ensure a secure installation, though it is only mandatory for panels thicker than 2" or if they are being attached to the ceiling.
- Use ONLY water-based, heavy bodied adhesives, such as Auralex's Tubetak Pro.
- Use one tube of Tubetak Pro liquid adhesive for every 32 sq. ft. of 1" panels and every 16 sq. ft. of 2" panels.

Z-Clips

Figure 3.1
Z-Clip installation
side view

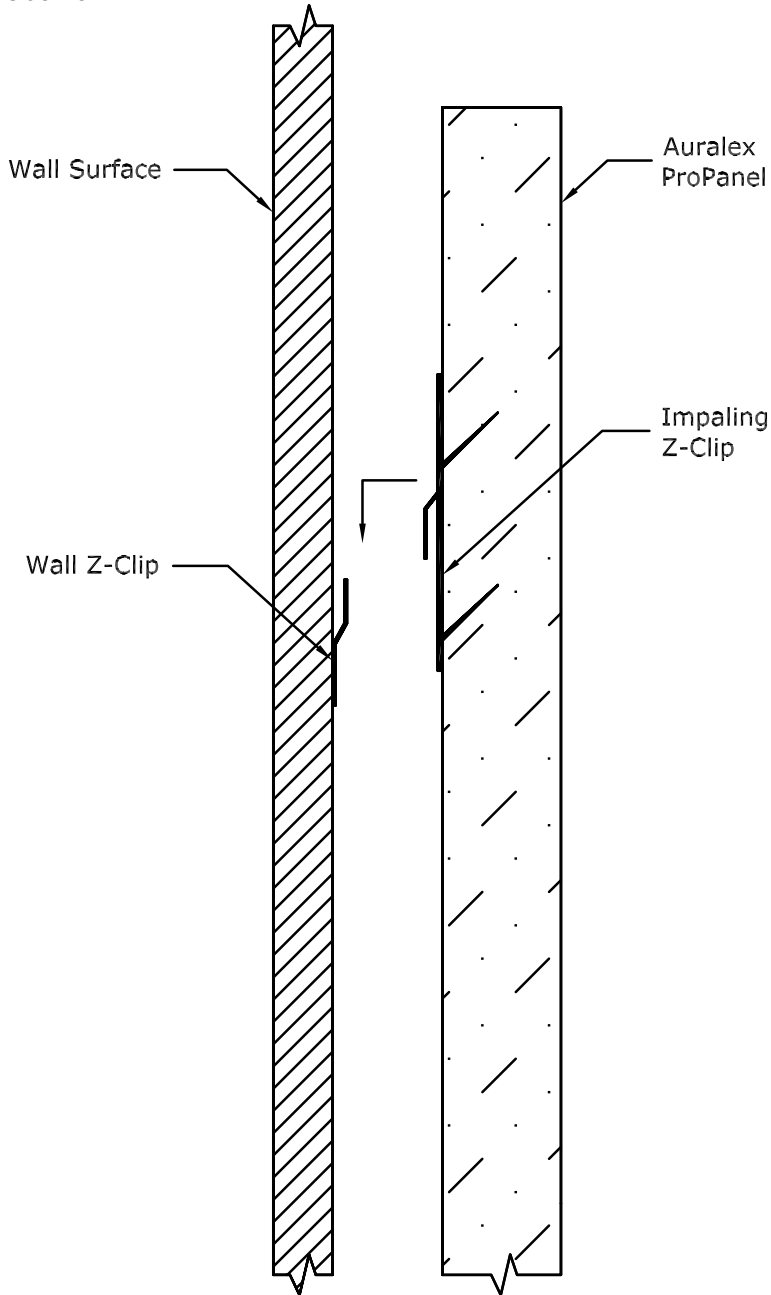


Figure 3.2
Z-Clip placement on 4'x8' panel

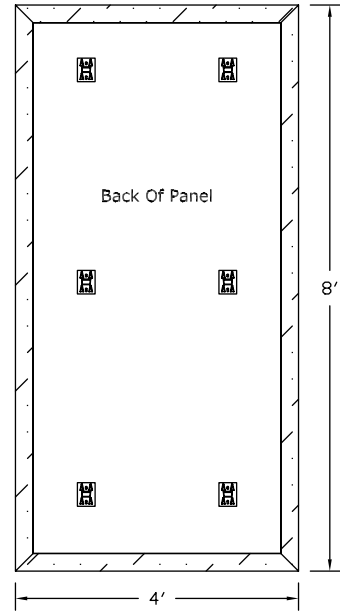


Figure 3.3
Wall Z-Clip detail

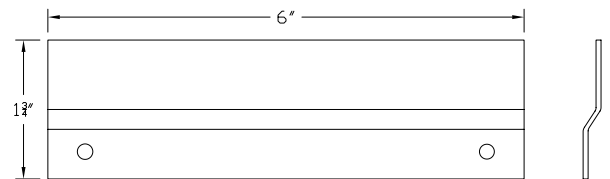
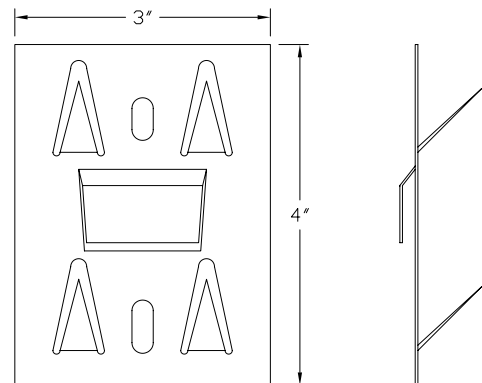


Figure 3.4
Impaling Z-Clip detail



Z-Clips

General guidelines for all panels:

1. Whenever moving panels, transport them with the shortest dimension in the vertical position to reduce potential stress or breaking of the fiberglass. Do not move panels parallel to the floor without additional support.
2. If light colored fabrics are used, it may be a good idea to wear white cotton gloves so dirt, grease or grime from the skin is not transferred to the fabric.
3. Lay out panels with a laser level (*preferred*), hand level or chalk line to ensure uniform installation. If panels are being placed directly up against one another, use the first panel as a reference point for adjoining panels to be installed.
4. Make sure the wall has a completely flat surface to install the panels to. Shim the panels if necessary to create a uniform front surface.

Installation using Z-Clips

1. Mark the intended location of each panel on the wall.
2. Install the impaling Z-Clips so they are flush with the backside of the panel using the numbers listed below. The application of Tubetak Pro to the teeth of the impaling clip will add additional support to the panel. (see *Figure 3.2*)

Panel Size (1" or 2" thick)	Number of Clips
2'x4'	4
4'x4'	4
4'x6'	6
4'x8'	6
4'x10'	8

NOTE: Panels over 2" thick must also use adhesives for installation.

3. Measure the location of the impaling Z-Clip on the back of the panel to determine exact position of wall Z-Clip. For easier installation, apply ink, paint, chalk or similar transferable marking to the impaling Z-Clip. Press panel against the wall to locate the proper position of wall Z-Clip when the panel is placed in its intended location.
4. Make sure to leave at least 3/4" clearance above the intended final height of the panel to allow clips to clear and seat with each other.
5. Install the wall Z-Clip securely using drywall screws, concrete anchors or shots and pins for concrete block or pre-cast concrete walls. Clips must be flush, level and aligned perfectly with the clip on the back of the panel.
6. This installation method will leave a 3/4" reveal between the top of the panel and ceiling.

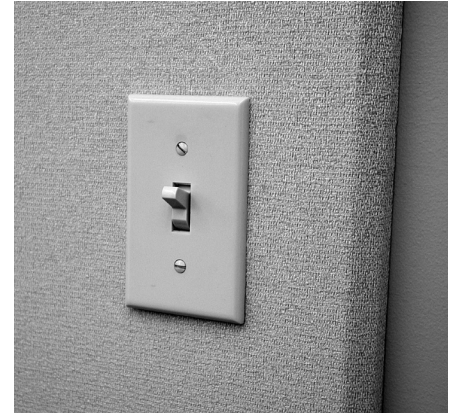
Note on adhesives:

- Use ONLY water-based, heavy bodied adhesives, such as Auralex's Tubetak Pro.
- Apply the adhesive liberally to the teeth and base of the impaling clip only.

General Modifications

Cut outs for electrical outlets/boxes:

1. Mark the intended location of each panel on the wall.
2. Carefully measure the exact location and size of the cut-out in the panel. An uninstalled identical unit may be used as a template for the cut-out.
3. Remove **ONLY** the fiberglass using a sharp knife making sure not to cut through the fabric on the other side.
4. Cut an X in the fabric directly over the cut-out.
5. Reapply the fabric to the fiberglass using a very light application of Auralex's Foamtak spray adhesive.
6. Cover opening with desired face plate.



Edge Cutting:

1. Lay the panel down with the fabric face up. Pull the fabric off the panel at least two inches past the intended cut line. Mark the fiberglass core at the cut line (*make sure to deduct for fabric thickness*).
2. Using a straight edge, cut through the fiberglass core on the cut line with a sharp utility knife or table saw.
3. Cut the extra fabric so there is a two inch overhang on the back of the panel.
4. Spray Auralex Foamtak on the exposed face and edge of the panel. Apply the adhesive in a thin even coat across desired area. Let the adhesive set for at least 15 seconds before pulling fabric back over. **Permanent discoloring of the fabric will occur if too much adhesive is used or not enough drying time is given.**
5. Pull the fabric back over the panel, carefully checking by hand to make sure it is straight and without air pockets or creases.
6. Turn the panel face down on a clean surface and apply Foamtak spray adhesive in a 2" band where the fabric overhangs.
7. Trim the back and corners of excess fabric, but leave just enough to cover all fiberglass.

NOTE: Auralex is not responsible for damage done to any panel during general modifications.

