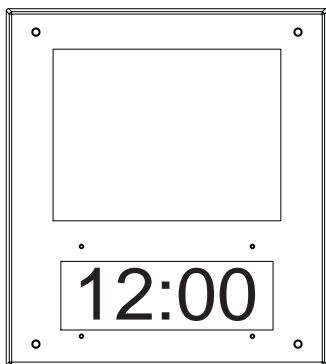




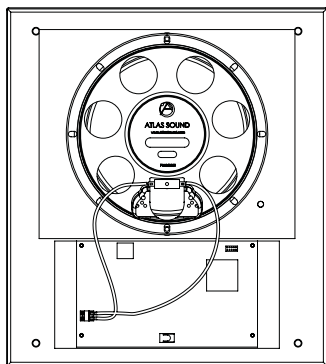
INFORMACAST® IP COMPLIANT LOUDSPEAKER SYSTEM WITH CLOCK POWERED BY CISCO POE NETWORK SWITCHES

I8SC

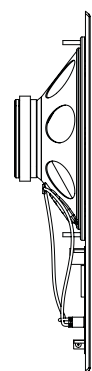
One



**I8SC
(Front View)**



**I8SC
(Back View)**



**I8SC
(Side View)**

FEATURES

- Use with Berbee InformaCast® software, Cisco® POE networks & Cisco® IP Telephones to create extremely versatile paging and messaging systems
- Highly efficient 10oz dual cone loudspeaker system provides 94dB average SPL @ 1W/1M and is capable of 103dB @ 1 meter via the rated power of the internal IP addressable amplifier
- 105° dispersion in the 2kHz octave band (-6dB)
- Wide frequency response of 86Hz to 8kHz (-3dB) is perfect for speech and general messaging playback
- Network controlled, high visibility red LED clock

APPLICATIONS

The perfect choice for education, military/government and large scale corporate applications, Berbee's InformaCast IP Broadcasting Solution revolutionizes communication, clock/bell and message playback functionality. It provides the capability to simultaneously send a multicast audio stream and text messages to any combination of Cisco IP phones, Atlas Sound IP speakers, and PCs. With the push of a single button on the phone or a single click from a PC, a user can send a live, recorded or scheduled broadcast to one or more paging groups. With InformaCast compliant loudspeaker products from Atlas Sound, system designers and integrators will have the ability to deploy extremely large scale and complex paging systems over new or existing Cisco networks with the convenience of centralized administration by IT personnel.

Extreme cost savings can also be realized from the elimination of separate "stand alone" paging & clock/bell systems when InformaCast is utilized in education applications in conjunction with the model I8SC clock speaker baffle system.

GENERAL DESCRIPTION

Model I8SC from Atlas Sound consists of a factory assembled loudspeaker/baffle/digital clock with PCB amp/control board securely mounted to the rear of the baffle via concealed weld studs. The amp/control board is capable of producing 9 Watts RMS into the 8 Ohm loudspeaker with 9VDC minimum power provided by Cisco IEEE 802.3AF compliant POE switches, (local 12-18VDC PSU's may also be used instead of POE switches). Interconnect is via a board mounted female RJ-45 connector. The clock display is a brilliant red 5 element device capable of creating 2.75" (70mm) high x 1.25" (32mm) wide clock numbers. The industry standard C10A loudspeaker used in the I8SC is a dual cone 8" (205mm) loudspeaker with a 10oz (260g) ceramic magnet. It includes a curve-linear paper cone for lower harmonic distortion. The loudspeaker is also equipped with a full 1" (25mm) diameter copper voice coil with aluminum former for better heat dissipation. The 18 gauge construction of the metal baffle provides security and durability in commercial applications. A perforated 22 gauge metal screen is provided over the loudspeaker to maximize performance by allowing the optimum percentage of open area forward of the loudspeaker. The baffle is finished in neutral white electrostatic powder coat and is packaged with all necessary mounting screws.

ENCLOSURE IS NOT INCLUDED. Available optional enclosures:

MODEL	DESCRIPTION
SEA-I8SC	Surface mount, angled enclosure for I8SC, neutral white finish
SEST-I8SC	Surface mount, straight enclosure for I8SC, neutral white finish
FEST-I8SC	Flush mount, straight enclosure for I8SC, reclaimed powder coat finish

Specifications subject to change without notice



1601 JACK MCKAY BLVD. / ENNIS, TEXAS 75119 U.S.A.
TELEPHONE: (800) 876-3333 / FAX (800) 765-3435

AtlasSound.com

Loudspeaker Specifications	
Speaker Size	8" (203mm)
Power Handling	15W
Sensitivity (SPL @ 1W/1M)	94dB
Frequency Response ¹	86Hz to 8kHz
Dispersion ²	52.5°
Cone Material	Treated Paper
Surround Material & Dampening	Dampened self-edge
Flux Density	10,600 Gauss, 1.06 Tesla
Magnet Weight	Nominal, 10oz (260g)
Basket Material	Stamped, Plated 20 ga. CRS
Voice Coil Diameter	1" (25mm)
Voice Coil Material	Copper
Voice Coil Former Material	Black Anodized Aluminum
Voice Coil Winding Width	0.225 (6mm)
Top Plate Thickness	0.239 (96mm)
Weight	32oz (908g)
Diameter & Depth	8.125" (206mm) Dia. & 2.875" (73mm) D
Mounting Dimensions	7.625" (194mm) Bolt Circle
1. Measured in recommended enclosure 2. 3dB down point, 2kHz octave band	

Clock Specifications	
Characters	5
LEDs per character	21
Character Height	2.5" (64mm)
Character Width	1.25" (32mm)
Viewable clock surface dimensions	8.5" (216mm) W x 2.75" (70mm) H
Clock control	Berbee InformaCast on multicast enabled networks

Baffle Specifications	
Baffle material	18 gauge CRS
Speaker grille material	22 gauge perforated steel
Loudspeaker cut-out dimension	9.125" (232mm) x 6.5" (175mm)
Clock cut-out dimension	8.5" (216mm) W x 2.75" (70mm) H
Overall Width x Height	12.88" (327mm) W x 14.38" (365mm) H
Depth - Front of baffle to rear of speaker	2.99" (76mm)
Depth - Rear of baffle to rear of speaker	2.80" (71mm)
Color	White

Amplifier/Controller	
Power Rating	9 Watts RMS into 8 Ohm load with 9VDC In
Inputs	RJ-45 female on PCB accessible from rear of baffle
Outputs	2 wire main ± terminated to loudspeaker
Power Source	Cisco IEEE 802.3AF compliant POE network switches or local 12-18VDC PSU
Dimensions	4.25" (108mm) by 7.25" (184mm)
Mounting	4 holes to weld studs on baffle (factory assembled)
Network Control	Berbee InformaCast on multicast enabled networks

ARCHITECT AND ENGINEER SPECIFICATIONS

Unit shall be Atlas Sound Model I8SC. The loudspeaker system shall include factory assembled loudspeaker, IP addressable PCB amplifier/control, LED clock and metal baffle. The loudspeaker shall have a 10oz (260g) ceramic magnet and a seamless cone. Frequency response range shall be 86Hz to 8kHz (-3dB). Sensitivity shall be 94dB average. Voice coil former shall be black anodized aluminum to help dissipate heat, have an impedance of 8 Ohms and a diameter of 1" (25mm). The IP addressable PCB amplifier/control shall be mounted to the rear of the loudspeaker baffle via concealed weld studs. The amplifier / control PCB shall be capable of producing 9 Watts RMS with a minimum of 9VDC power provided either locally or via Cisco IEEE 802.3AF compliant POE switches. Interconnect shall be via female RJ-45 connector mounted to the PCB. The 5 character LED clock shall include 21 red LEDs per character. Each character shall be 2.5" (64mm)

high by 1.25" (32mm) wide. Overall viewable dimensions of the LED clock face shall be 8.5" (216mm) wide by 2.75" (70mm) tall. All control functionality of the PCB amplifier and clock control shall be determined via software. The metal loudspeaker baffle overall dimensions shall be 12.88" (327mm) wide by 14.38" (365mm) tall. Baffle construction shall be of 18 gauge cold rolled steel with a 9.125" (232mm) wide by 6.875" (175mm) 22 gauge perforated metal screen spot welded over the loudspeaker cut-out. Finish shall be Atlas Sound neutral white electrostatic powder coat. Optional enclosures shall include models SEA-I8SC surface mount angled enclosure for I8SC - neutral white finish, SEST-I8SC surface mount straight enclosure for I8SC - neutral white finish and FEST-I8SC flush mount straight enclosure for I8SC - reclaimed powder coat finish.

Specifications subject to change without notice



1601 JACK MCKAY BLVD. / ENNIS, TEXAS 75119 U.S.A.
TELEPHONE: (800) 876-3333 / FAX (800) 765-3435

AtlasSound.com