

**CPX8000 Series CPX8216/CPX8216T
CompactPCI[®] System**

Reference Manual

CPX8216A/RM4

August 2002 Edition

© Copyright 2002 Motorola Inc.

All rights reserved.

Printed in the United States of America.

Motorola® and the Motorola symbol are registered trademarks of Motorola, Inc.

PowerPC® and the PowerPC logo are registered trademarks of International Business Machines Corporation (IBM) and are used by Motorola, Inc. under license from IBM.

CompactPCI® is a registered trademark of the PCI Industrial Computer Manufacturer's Group (PICMG).

All other product or service names mentioned in this document are trademarks or registered trademarks of their respective holders.

Safety Summary

The following general safety precautions must be observed during all phases of operation, service, and repair of this equipment. Failure to comply with these precautions or with specific warnings elsewhere in this manual could result in personal injury or damage to the equipment.

The safety precautions listed below represent warnings of certain dangers of which Motorola is aware. You, as the user of the product, should follow these warnings and all other safety precautions necessary for the safe operation of the equipment in your operating environment.

Ground the Instrument.

To minimize shock hazard, the equipment chassis and enclosure must be connected to an electrical ground. If the equipment is supplied with a three-conductor AC power cable, the power cable must be plugged into an approved three-contact electrical outlet, with the grounding wire (green/yellow) reliably connected to an electrical ground (safety ground) at the power outlet. The power jack and mating plug of the power cable meet International Electrotechnical Commission (IEC) safety standards and local electrical regulatory codes.

Do Not Operate in an Explosive Atmosphere.

Do not operate the equipment in any explosive atmosphere such as in the presence of flammable gases or fumes. Operation of any electrical equipment in such an environment could result in an explosion and cause injury or damage.

Keep Away From Live Circuits Inside the Equipment.

Operating personnel must not remove equipment covers. Only Factory Authorized Service Personnel or other qualified service personnel may remove equipment covers for internal subassembly or component replacement or any internal adjustment. Service personnel should not replace components with power cable connected. Under certain conditions, dangerous voltages may exist even with the power cable removed. To avoid injuries, such personnel should always disconnect power and discharge circuits before touching components.

Use Caution When Exposing or Handling a CRT.

Breakage of a Cathode-Ray Tube (CRT) causes a high-velocity scattering of glass fragments (implosion). To prevent CRT implosion, do not handle the CRT and avoid rough handling or jarring of the equipment. Handling of a CRT should be done only by qualified service personnel using approved safety mask and gloves.

Do Not Substitute Parts or Modify Equipment.

Do not install substitute parts or perform any unauthorized modification of the equipment. Contact your local Motorola representative for service and repair to ensure that all safety features are maintained.

Observe Warnings in Manual.

Warnings, such as the example below, precede potentially dangerous procedures throughout this manual. Instructions contained in the warnings must be followed. You should also employ all other safety precautions which you deem necessary for the operation of the equipment in your operating environment.



To prevent serious injury or death from dangerous voltages, use extreme caution when handling, testing, and adjusting this equipment and its components.

Flammability

All Motorola PWBs (printed wiring boards) are manufactured with a flammability rating of 94V-0 by UL-recognized manufacturers.

CE Notice (European Community)



This is a Class A product. In a domestic environment, this product may cause radio interference, in which case the user may be required to take adequate measures.

Motorola Computer Group products with the CE marking comply with the EMC Directive (89/336/EEC). Compliance with this directive implies conformity to the following European Norms:

EN55022 “Limits and Methods of Measurement of Radio Interference Characteristics of Information Technology Equipment”; this product tested to Equipment Class A

EN55024 “Information technology equipment—Immunity characteristics—Limits and methods of measurement”

This product also fulfills EN60950 (product safety) which is essentially the requirement for the Low Voltage Directive (73/23/EEC).

AC configurations of this system also meet the requirements of the following European standards:

EN61000-3-2 “Limits of Harmonic Current Emissions (equipment input current ≤ 16 A per phase)”

EN61000-3-3 “Limits of Voltage Fluctuations and Flicker in Low-Voltage Supply Systems for Equipment with Rated Current ≤ 16 A”

In accordance with European Community directives, a “Declaration of Conformity” has been made and is available on request. Please contact your sales representative.

This product is not a workstation per the European Ergonomic Standard.

Kein Bildschirmarbeitsplatz nach dem Europäischen Ergonomie Standard.

FCC Class A

This equipment has been tested and found to comply with the limits for a Class A digital device, pursuant to Part 15 of the FCC Rules. These limits are designed to provide reasonable protection against harmful interference when the equipment is operated in a commercial environment. This equipment generates, uses, and can radiate radio frequency energy and, if not installed and used in accordance with the instruction manual, may cause harmful interference to radio communications. Operation of this equipment in a residential area is likely to cause harmful interference in which case the user will be required to correct the interference at his own expense.

Changes or modifications not expressly approved by Motorola Computer Group could void the user's authority to operate the equipment.

Use only shielded cables when connecting peripherals to assure that appropriate radio frequency emissions compliance is maintained.

EMI Caution



This equipment generates, uses and can radiate electromagnetic energy. It may cause or be susceptible to electromagnetic interference (EMI) if not installed and used with adequate EMI protection.

Notice

While reasonable efforts have been made to assure the accuracy of this document, Motorola, Inc. assumes no liability resulting from any omissions in this document, or from the use of the information obtained therein. Motorola reserves the right to revise this document and to make changes from time to time in the content hereof without obligation of Motorola to notify any person of such revision or changes.

Electronic versions of this material may be read online, downloaded for personal use, or referenced in another document as a URL to the Motorola Computer Group Web site. The text itself may not be published commercially in print or electronic form, edited, translated, or otherwise altered without the permission of Motorola, Inc.

It is possible that this publication may contain reference to or information about Motorola products (machines and programs), programming, or services that are not available in your

country. Such references or information must not be construed to mean that Motorola intends to announce such Motorola products, programming, or services in your country.

Limited and Restricted Rights Legend

If the documentation contained herein is supplied, directly or indirectly, to the U.S. Government, the following notice shall apply unless otherwise agreed to in writing by Motorola, Inc.

Use, duplication, or disclosure by the Government is subject to restrictions as set forth in subparagraph (b)(3) of the Rights in Technical Data clause at DFARS 252.227-7013 (Nov. 1995) and of the Rights in Noncommercial Computer Software and Documentation clause at DFARS 252.227-7014 (Jun. 1995).

Motorola, Inc.
Computer Group
2900 South Diablo Way
Tempe, Arizona 85282

Contents

About this Manual

Summary of Changes	xix
Systems Supported	xxi
Overview	xxii
Comments and Suggestions	xxii
Conventions Used in This Manual	xxiii

CHAPTER 1 System Architecture

PICMG Compliance	1-1
System Domains	1-1
System Layout	1-2
CPX8216	1-2
CPX8216T (H.110)	1-4
Bus Access and Control	1-4
The Hot Swap Controller/Bridge (HSC) Module	1-5
Hot Swap Controller	1-6
System Processor Configurations	1-7
The Simplex Configuration	1-7
The Active/Passive Configuration	1-8
The Active/Active or Load-Sharing Configuration	1-9
I/O Configurations	1-10
Peripherals	1-10
Power/Fan Modules	1-10
Drive Modules	1-11
CPU Complex Architecture	1-12
The CPU Module	1-12
Switching Service to the Passive CPU	1-13
Chassis ID for CPX8216T	1-13
Alarms and LEDs	1-13
H.110 Telephony Bus	1-14
Board Insertion and Extraction Features	1-14
Staged Pins	1-15
BD_SEL#	1-15
ENUM#	1-15

Hot Swap Control Status Register (CSR)	1-16
The Hot Swap Process	1-16
Physical Connection Process	1-17
Hardware Connection Process	1-17
Software Connection Process	1-18
Software Disconnection Process	1-18
Typical Insertion and Extraction Processes	1-19
Device Drivers	1-19

CHAPTER 2 CPU Modules

Overview	2-1
CPX750HA	2-1
Connectors and Jumper Settings	2-4
Backplane Connectors (P5, P4, P3, P2, P1)	2-4
Front USB Connectors (J17 and J18)	2-4
10BaseT/100BaseTx Connector (J8)	2-4
COM1 Connector (J15)	2-5
Debug Connector (J19)	2-6
DRAM Mezzanine Connector (J10)	2-10
EIDE Compact FLASH Connector (J9)	2-14
Flash Bank Selection (J6)	2-15
CPV5350	2-16
Connectors	2-18
Transition Module	2-19
DRAM Memory Configuration	2-20
Keyboard/Mouse PS2 Connector	2-20
Ethernet Connectors	2-21
Universal Serial Bus (USB) Connector	2-21
Serial Port Connectors	2-22
Video Connector	2-22

CHAPTER 3 CPX8540 Carrier Card

Overview	3-1
CPX8540 Carrier Card	3-1
Connector Pinouts	3-4

CHAPTER 4 PMC Modules

Overview	4-1
SCSI-2 Controller PMC	4-1
Switch Settings	4-3
Connector Pin Assignments	4-4

CHAPTER 5 Transition/Bridge Modules

Overview	5-1
CPX750HATM Transition Module	5-1
Serial Ports 3 and 4 Default Configuration	5-2
Serial Port Interface Jumper (J8 and J9)	5-4
Connectors	5-4
Backplane Connectors (J3/J4/J5)	5-4
Asynchronous Serial Port Connectors (J10 and J11)	5-6
Asynchronous/Synchronous Serial Port Connectors (J6 and J24)	5-7
Parallel I/O Port Connector (J7)	5-9
Keyboard/Mouse Connector (J16)	5-10
USB Connectors (J19 and J18)	5-10
EIDE Connector (J15)	5-11
Floppy Port Connector (J17)	5-12
+5Vdc Power Connector (J14)	5-12
Speaker Output Connector (J13)	5-13
PMC I/O Connectors	5-14
Installing the Serial Interface Modules	5-16
Port Configuration Diagrams	5-18
COM1 and COM2 Asynchronous Serial Ports	5-18
Asynchronous/Synchronous Serial Ports	5-20
CPV5350TM80 Transition Module	5-29
Connectors	5-31
Keyboard/Mouse PS2 Connector	5-32
Ethernet Connectors	5-33
Serial Port Connectors	5-33
Video Connector	5-34
Parallel Port Connector (J20)	5-35
EIDE Headers (J5)	5-36
Floppy Header (J9)	5-38
Keyboard/Mouse/Power LED Header (J6)	5-40
USB Headers (J12 and J19)	5-41
SM Bus and LM78 Header (J1)	5-42
Fan Tachometer Headers (J3 and J4)	5-43

Indicator LED/Miscellaneous Header (J2)	5-43
---	------

CHAPTER 6 Subassembly Reference

Chapter Overview	6-1
Parts of the System	6-2
CompactPCI Card Cage Reference	6-4
Backplane Reference	6-5
Power Supply Connectors (PS1, PS2, PS3)	6-6
H.110 Power Connector (CPX8216T Only)	6-7
Alarm Interface Connector (ALARM)	6-8
Floppy Drive Connectors (FDA, FDB)	6-8
IDE Drive Connectors (IDEA and IDEB)	6-9
Peripheral Power Connectors (PWR1, PWR2, PWR3, PWR4)	6-10
Peripheral Signal Connectors (SIG1, SIG2, SIG3, SIG4)	6-11
CompactPCI Connectors (P1, P2, P3, P4, P5)—CPX8216 Standard Backplane ..	6-11
Primary (Front) Side I/O Connectors (Slots 1-6 and 11-16)	6-11
Primary (Front) Side CPU Slot Connectors (7 and 9)	6-17
Secondary (Rear) Side I/O Connectors	6-26
CPU Transition Module Connectors	
(Transition Slots 7 and 9)	6-27
Hot Swap Controller/Bridge Connectors (Transition Slots 8 and 10)	6-29
H.110 Bus Connectors—CPX8216T System Only	6-37
Primary (Front) Side I/O Connectors	6-38
Primary (Front) Side (Slots 1-6 and 11-16)	6-38
Primary (Front) Side CPU Connectors	6-40
Primary (Front) Side HSC Connectors	6-40
Secondary (Rear) Side I/O Connectors	6-50
Secondary (Rear) Side CPU Transition Module Connectors	6-50
Alarm Display Panel	6-51
Alarm Display Panel Interface Connector (J4)	6-53
Remote Alarm Connector (J1)	6-53
Power Distribution Panel	6-54
AC Power Distribution Panel (CPX8216)	6-54
Dual Input DC Power Distribution Panel (CPX8216)	6-55
Dual Breaker DC Power Distribution Panel (CPX8216)	6-55
H.110 DC Power Distribution Panel (CPX8216T)	6-56
Power Supplies	6-58

APPENDIX A Specifications

Environmental CharacteristicsA-1
Power Supply Electrical SpecificationsA-2

APPENDIX B Related Documentation

Motorola Computer Group DocumentsB-1
Related SpecificationsB-2
URLsB-4

List of Figures

Figure 1-1. CPX8216 Domains	1-2
Figure 1-2. CPX8216 Standard System Layout	1-3
Figure 1-3. CPX8216T H.110 System Layout	1-4
Figure 1-4. CPX8216 I/O Bus Connectivity	1-5
Figure 1-5. The CPX8216T H.110 Bus	1-14
Figure 2-1. CPV5350 Component Side View	2-19
Figure 2-2. Keyboard/Mouse Connector Diagram	2-20
Figure 3-1. PMC Modules to CPX8540 Carrier Card	3-2
Figure 3-2. Installing a PMC Module	3-3
Figure 5-1. CPX750HATM Transition Module	5-3
Figure 5-2. Serial Port Interface Jumper (J9) Settings	5-4
Figure 5-3. DTE Port Configuration (COM1 and COM2)	5-19
Figure 5-4. EIA-232-D DCE Port Configuration (Ports 3 and 4)	5-21
Figure 5-5. EIA-232-D DTE Port Configuration (Ports 3 and 4)	5-22
Figure 5-6. EIA-530 DCE Port Configuration (Ports 3 and 4)	5-23
Figure 5-7. EIA-530 DTE Port Configuration (Ports 3 and 4)	5-24
Figure 5-8. V.35-DCE Port Configuration (Ports 3 and 4)	5-25
Figure 5-9. V.35-DTE Port Configuration (Ports 3 and 4)	5-26
Figure 5-10. X.21-DCE Port Configuration (Ports 3 and 4)	5-27
Figure 5-11. X.21-DTE Port Configuration (Ports 3 and 4)	5-28
Figure 5-12. Keyboard/Mouse Connector Diagram	5-32
Figure 6-1. CPX8216 Front View	6-2
Figure 6-2. CPX8216 Rear View	6-3
Figure 6-3. Card Cage Rail Color Scheme—CPX8216 Standard System	6-4
Figure 6-4. Card Cage Rail Color Scheme—CPX8216T H.110 System	6-4
Figure 6-5. CPX8216 and CPX8216T Backplane—Primary Side	6-5
Figure 6-6. The CPX8216T H.110 Bus	6-37
Figure 6-7. Alarm Display Panel Block Diagram	6-51
Figure 6-8. Alarm Display Panel—Front View	6-52
Figure 6-9. AC Power Distribution Panel—Front View	6-54
Figure 6-10. Dual Input DC Power Distribution Panel—Front View	6-55
Figure 6-11. Dual Breaker DC Power Distribution Panel—Front View	6-56
Figure 6-12. H.110 DC Power Distribution Panel	6-57

List of Tables

Table 2-1. CompactPCI Boards	2-1
Table 2-2. USB 0 Connector J18	2-4
Table 2-3. USB 1 Connector J17	2-4
Table 2-4. 10BaseT/100BaseTx Connector J8	2-5
Table 2-5. COM1 Connector J15	2-5
Table 2-6. Debug Connector (J19)	2-6
Table 2-7. DRAM Mezzanine Connector (J10)	2-10
Table 2-8. EIDE Compact FLASH Connector J9	2-14
Table 2-9. CPV5350 Front Panel Connectors, Board Headers and Components ..	2-18
Table 2-10. Keyboard/Mouse P/S2 Connector Pin Assignments (J50)	2-20
Table 2-11. Ethernet Connector Pin Assignments (J13 and J6)	2-21
Table 2-12. USB Connector Pin Assignments (J14)	2-21
Table 2-13. Serial Port Connector Pin Assignments (J24 and J25)	2-22
Table 2-14. Video Connector Pin Assignments (J23)	2-22
Table 3-1. CPCI J3 I/O Connector Pinout	3-4
Table 3-2. CPCI J5 I/O Connector Pinout	3-4
Table 3-3. PCI 32-bit Interface Connector P11/J11, P21/J21	3-5
Table 3-4. PCI 32-bit Interface Connector P12/J12, P22/J22	3-7
Table 3-5. PCI 64 bit PCI extension on PMC Connector J13, J23	3-8
Table 3-6. User-Defined I/O PCI Interface Connector P14/J14, P24/J24	3-9
Table 4-1. PMC Switch Settings	4-3
Table 4-2. PMC Pin Assignments	4-4
Table 5-1. System Components	5-1
Table 5-2. J3 User I/O Connector	5-5
Table 5-3. J5 User I/O Connector	5-6
Table 5-4. COM1 (J11) and COM2 (J10)	5-7
Table 5-5. Serial Port 3 (J6)	5-7
Table 5-6. Serial Port 4 (J24)	5-8
Table 5-7. Parallel I/O Connector (J7)	5-9
Table 5-8. Keyboard/Mouse Connector (J16)	5-10
Table 5-9. EIDE Connector (J15)	5-11
Table 5-10. Floppy Connector (J17)	5-12
Table 5-11. +5Vdc Power Connector (J14)	5-13
Table 5-12. Speaker Output Connector (J13)	5-13

Table 5-13. PMC I/O Connector (J2)	5-14
Table 5-14. PMC I/O Connector (J21)	5-15
Table 5-15. Keyboard/Mouse P/S2 Connector Pin Assignments (J14)	5-32
Table 5-16. Ethernet Connector Pin Assignments (J13 and J18)	5-33
Table 5-17. Serial Port Connector Pin Assignments (J21 and J10)	5-33
Table 5-18. Video Connector Pin Assignments (J16)	5-34
Table 5-19. Parallel Connector Pin Assignments (J20)	5-35
Table 5-20. EIDE Header (J5) Pin Assignments	5-36
Table 5-21. Floppy Header (J9) Pin Assignments	5-38
Table 5-22. Keyboard/Mouse/Power LED Header (J6) Pin Assignments	5-40
Table 5-23. USB Headers (J12 and J19) Pin Assignments	5-41
Table 5-24. SM Bus and LM78 Header (J1) Pin Assignments	5-42
Table 5-25. Fan Tachometer Header (J3 and J4) Pin Assignments	5-43
Table 5-26. Indicator LED/Miscellaneous Header (J2) Pin Assignments	5-43
Table 6-1. System Components	6-1
Table 6-2. PS1, PS2, and PS3 Pin Assignments	6-6
Table 6-3. Fan Module Pin Assignments	6-7
Table 6-4. H.110 Power Connector	6-7
Table 6-5. ALARM Connector Pin Assignments	6-8
Table 6-6. FDA and FDB Pin Assignments	6-8
Table 6-7. IDEA and IDEB Pin Assignments	6-9
Table 6-8. PWR1, PWR2, PWR3, PWR4 Pin Assignments	6-10
Table 6-9. SIG1, SIG2, SIG3, SIG4 Pin Assignments	6-11
Table 6-10. P5 Connector, I/O Slots 1-6 and 11-16 (User I/O)	6-12
Table 6-11. P4 Connector, I/O Slots 1-6 and 11-16 (User I/O)	6-12
Table 6-12. P3 Connector, I/O Slots 1-6 and 11-16 (User I/O)	6-12
Table 6-13. P2 Connector, I/O Slots 1-6 and 11-16 (CPCI Bus)	6-13
Table 6-14. P1 Connector, I/O Slots 1-6 and 11-16 (CPCI Bus)	6-14
Table 6-15. P5 Connector, CPU Slots 7 and 9	6-17
Table 6-16. P4 Connector, CPU Slots 7 and 9	6-18
Table 6-17. P3 Connector, CPU Slots 7 and 9	6-20
Table 6-18. P2 Connector, CPU Slot 7 (Domain A)	6-20
Table 6-19. P2 Connector, CPU Slot 9 (Domain B)	6-22
Table 6-20. P1 Connector, CPU Slots 7 and 9	6-23
Table 6-21. P5 Connector, I/O Slots 1-6 and 11-16 (User I/O)	6-26
Table 6-22. P4 Connector, I/O Slots 1-6 and 11-16 (User I/O)	6-26
Table 6-23. P3 Connector, I/O Slots 1-6 and 11-16 (User I/O)	6-26

Table 6-24. P5 Connector, CPU Transition Module Slots	6-27
Table 6-25. P3 Connector, CPU Transition Slots 7 and 9	6-28
Table 6-26. P5 Connector, HSC/Bridge (Slots 8 and 10)	6-29
Table 6-27. P4 Connector, HSC/Bridge (Slots 8 and 10)	6-29
Table 6-28. P3 Connector, HSC Slots 8 and 10	6-31
Table 6-29. P2 Connector, HSC Slot 10	6-32
Table 6-30. P2 Connector, HSC Slot 8	6-34
Table 6-31. P1 Connector, HSC Slots 8 and 10	6-35
Table 6-32. P4 Connector, I/O Slots 1-6, 11-16	6-38
Table 6-33. P5 Connector, HSC/Bridge (Slots 8 and 10)	6-40
Table 6-34. P4 Connector, HSC Slots 8 and 10	6-42
Table 6-35. P3 Connector, HSC Slots 8 and 10	6-44
Table 6-36. P2 Connector, HSC Slot 10	6-45
Table 6-37. P2 Connector, HSC Slot 8	6-47
Table 6-38. P1 Connector, HSC Slots 8 and 10	6-48
Table 6-39. P5 Connector, I/O Slots 1-6 and 11-16 (User I/O)	6-50
Table 6-40. P3 Connector, I/O Slots 1-6 and 11-16 (User I/O)	6-50
Table 6-41. Alarm LED Color and Description	6-52
Table 6-42. Alarm Display Panel Interface Connector (J4)	6-53
Table 6-43. Remote Alarm Connector (J1)	6-53
Table 6-44. DC Analog Voltages for H.110 Bus	6-57
Table A-1. Total Regulation (per Output)	A-3
Table B-1. Related Specifications	B-2

About this Manual

This manual is directed at the person who needs detailed configuration and specification information for CompactPCI modules and system subassemblies of the CPX8000 series computer system. Included is an overview of the system architecture for the CPX8216 and CPX81216T systems. It also presents the correct strapping and pin-out information for the modules and subassemblies covered.

This manual does not provide installation, removal, or use procedures. People requiring this type of information should refer to the *CompactPCI CPX8216 and CPX8216T System Installation and Use* manual as listed in [Appendix B, Related Documentation](#).

Summary of Changes

This manual has been revised and replaced any previous editions. Below is a history of the changes affecting this manual.

Date	Change
July 2002	Updated PMC Module chapter, see Chapter 4, PMC Modules . Load sharing information added, see The Active/Active or Load-Sharing Configuration on page 1-9 Domain ownership further defined, see Chapter 1, System Architecture Dual breaker DC power distribution panel information added (with Smart cable), see Dual Breaker DC Power Distribution Panel (CPX8216) on page 6-55.
April 2002	Section describing system domains and domain ownership information added, see System Domains on page 1-1. Section describing hot swap controllers added, see Hot Swap Controller on page 1-6.

Date	Change
	Power distribution information added, see <i>Power Distribution Panel</i> on page 6-54.
August 2001	Details about assigning chassis IDs on the CPX8216T system added. See <i>Chassis ID for CPX8216T</i> on page 1-13. Updated model numbers, see <i>Systems Supported</i> in this section.
April 2001	Added cautions regarding hot swap software and hot swappable drives.
July 2000	Updated pin assignment tables for connector P2 (HSC and CPU slots.)
March 2000	DC Input voltage changed to -36Vdc to -72Vdc. Changed URLs to reflect new Web sites.
November 1999	Added System Architecture chapter. Added TNV branch circuit safety standards information. Added the Index.
August 1999	Added information for the CPV5350 Intel CPU Added information for the H.110 Backplane and Power Distribution Panel for the CPX8216T system
May 1999	Replaced Figure 2-1 with corrected board illustration
January 1999	Original Document

Systems Supported

This information in this manual applies to the modules and subassemblies supported by the following systems:

Model Number	Description
CPX8216SK24	CPX8216 Dual SCSI 466 MHz PowerPC Starter Kit, 256MB
CPX8216TSK24	CPX8216T Dual EIDE 700 MHz Pentium Starter Kit, 512MB
CPX8216SK25	CPX8216 Dual EIDE 700 MHz Pentium Starter Kit, 512MB
CPX8216TSK25	CPX8216T Dual EIDE 466 MHz PowerPC Starter Kit, 256MB

Overview

This manual is divided into the following topics:

- ❑ [Chapter 1, *System Architecture*](#)
- ❑ [Chapter 2, *CPU Modules*](#)
- ❑ [Chapter 3, *CPX8540 Carrier Card*](#)
- ❑ [Chapter 4, *PMC Modules*](#)
- ❑ [Chapter 5, *Transition/Bridge Modules*](#)
- ❑ [Chapter 6, *Subassembly Reference*](#)
- ❑ [Appendix A, *Specifications*](#)
- ❑ [Appendix B, *Related Documentation*](#)

Comments and Suggestions

Motorola welcomes and appreciates your comments on its documentation. We want to know what you think about our manuals and how we can make them better. Mail comments to:

Motorola Computer Group
Reader Comments DW164
2900 S. Diablo Way
Tempe, Arizona 85282

You can also submit comments to the following e-mail address:
reader-comments@mcg.mot.com

In all your correspondence, please list your name, position, and company. Be sure to include the title and part number of the manual and tell how you used it. Then tell us your feelings about its strengths and weaknesses and any recommendations for improvements.

Conventions Used in This Manual

The following typographical conventions are used in this document:

bold

is used for user input that you type just as it appears; it is also used for commands, options and arguments to commands, and names of programs, directories and files.

italic

is used for names of variables to which you assign values. Italic is also used for comments in screen displays and examples, and to introduce new terms.

`courier`

is used for system output (for example, screen displays, reports), examples, and system prompts.

<Enter>, <Return> or <CR>

represents the carriage return or Enter key.

Ctrl

represents the Control key. Execute control characters by pressing the **Ctrl** key and the letter simultaneously, for example, **Ctrl-d**.

PICMG Compliance

The CPX8216 system is designed to be fully compliant with the CompactPCI Hot Swap Specification developed by the PCI Industrial Computers Manufacturing Group (PICMG). With the proper software support and testing, it should be possible to integrate all proprietary and third-party I/O modules which are compatible with this specification. Further, the system allows the use of I/O modules which are not hot swappable, but the system must be powered off when such modules are inserted and extracted.

The CPX8216 also features the ability to hot swap system and nonsystem processor boards, a feature which is beyond the scope of the PICMG specification. As part of its commitment to open standards, Motorola will propose that the processor hot swap capabilities of the CPX8216 be added to the Hot Swap Specification. At this point, however, there are no third-party CPU modules which are compatible with the CPX8216 system.

System Domains

The high availability and high slot count of the CPX8216 systems is made possible by implementing two host CPU slots and multiple CompactPCI bus segments in a single chassis. These bus segments, along with other system resources are grouped into two logical domains, A and B, which can be controlled by either host-HSC pair regardless of the bus segment the host sits on. Domain A includes CompactPCI bus segment A (slots 1 to 8), the power supply/fan tray modules and alarm controls. In the CPX8216, domain B consists of the CompactPCI bus segment B (slots 9 to 16). For further information on domain control or ownership, see the section, *Hot Swap Controller* on page 1-6.

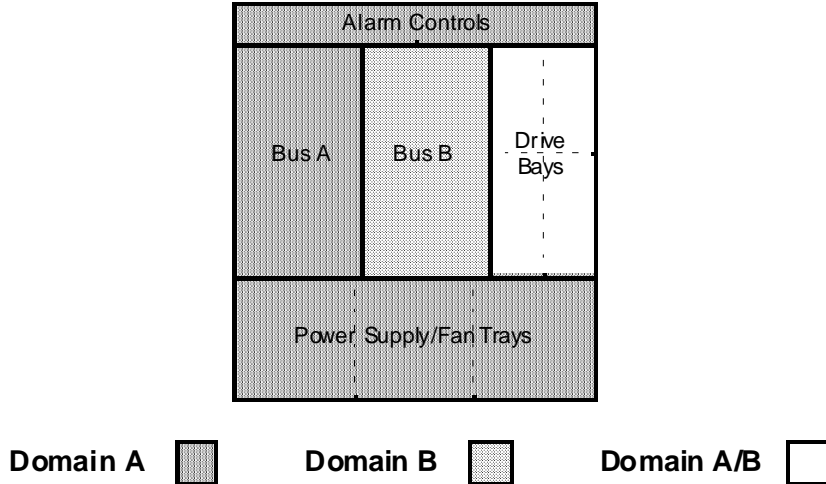


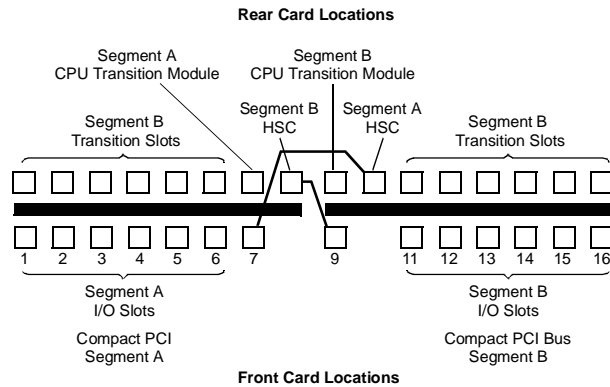
Figure 1-1. CPX8216 Domains

System Layout

The CPX8216 is a 16-slot, high-availability CompactPCI system with two separate 6-slot CompactPCI I/O domains and the capability to contain redundant CPU modules and redundant Hot-Swap Controller (HSC) modules. It is also possible to configure the system as a simplex, high I/O system containing a single CPU-HSC pair. Even as a simplex system, the CPX8216 still provides improved availability through redundant power supplies and the control/monitoring capabilities of the HSC, as described in [The Hot Swap Controller/Bridge \(HSC\) Module on page 1-5](#).

CPX8216

The CPX8216 standard system consists of two 8-slot subsystems, or domains, each with two slots for the host processor and six slots for nonhost CompactPCI boards. The HSC board mounts in the rear of the chassis, behind the secondary CPU slot. [Figure 1-2 on page 1-3](#) provides a diagram of this configuration.



2450 9812

Figure 1-2. CPX8216 Standard System Layout

Each of the two independent I/O domains has its own system processor slot. Each system processor has direct access to its local bus through an onboard PCI-to-PCI (P2P) bridge. Each domain is also capable of supporting a Hot Swap Controller (HSC) module that contains its own P2P bridge. Thus, in a fully redundant configuration, there are two bridges that have access to each of the I/O buses—one associated with the CPU and one with the HSC. Only one of the bridges may be active at a time, however.

CPX8216T (H.110)

The CPX8216T H.110 system consists of two 8-slot subsystems, or domains, each with one slot for the host processor, one slot for the front-loaded HSC, and six slots for nonhost CompactPCI boards. [Figure 1-3 on page 1-4](#) provides a diagram of this configuration.

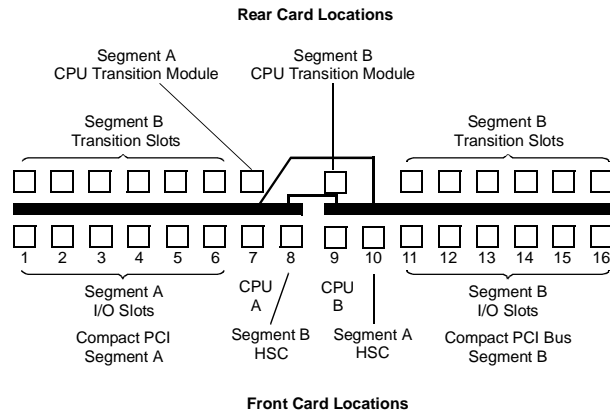


Figure 1-3. CPX8216T H.110 System Layout

Bus Access and Control

In the fully redundant configuration, the CPU in the left system slot, CPU A, is associated with the HSC in the right HSC slot, HSC A (note that HSC A actually sits on the Domain B bus). There is a local connection between each CPU-HSC pair that allows the CPU in one domain to control the other domain through its HSC. This architecture is illustrated in the following figure.

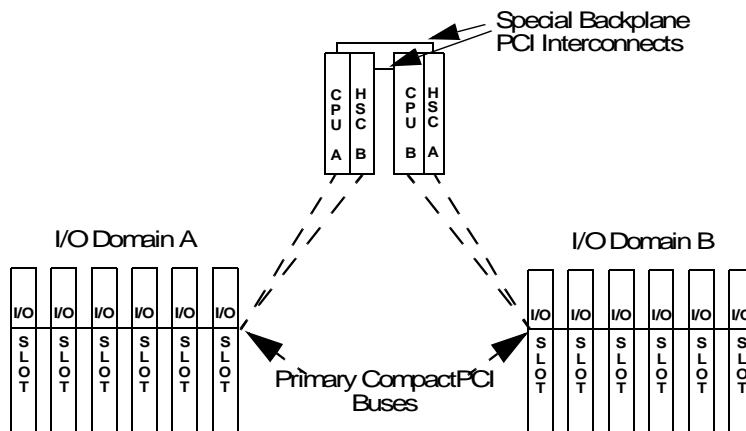


Figure 1-4. CPX8216 I/O Bus Connectivity

In addition to providing bridges to the remote I/O buses, the HSC provides the services necessary to hot swap CPU boards and nonhost processor boards and also controls the system alarm panel, fans, and power supplies.

The Hot Swap Controller/Bridge (HSC) Module

The HSC module connects to the CPU module through a local PCI bus, as illustrated in [Figure 1-2](#) and [Figure 1-3](#). The HSC module contains a PCI-to-PCI bridge and also contains a Hot Swap Controller.

The functionality provided by the HSC is at the heart of the High Availability CPX8216 System. Its primary functions include:

- ❑ Providing a bridge between the two eight-slot CompactPCI buses so that they can be managed by a single CPU module
- ❑ Maintaining a Control Status Register which contains information on the status of each system module

- ❑ Controlling power and resets to each system module through radial connections
- ❑ Monitoring and controlling CPU boards, nonhost boards, and peripherals, including power and fan sleds, board and system LEDs, and alarms

Hot Swap Controller

Each of the nonhost slots in the system can be controlled from either HSC. When an HSC has control over a domain it has control over the nonhost boards in that domain. Each host processor/bridge pair is controlled as a single item by the other processor/bridge pair. The bridge and the host processor are linked together so that both must be present for power to be applied. A host processor cannot be operated without its HSC.

With the CPX8216 architecture it is important that the system initializes to a state that allows the host processors and HSCs to be in control of the system. The default conditions are:

- ❑ System processors and bridges are powered up (if present)
- ❑ System processors and bridges are disconnected from their busses
- ❑ HSCs are not in control of either domain
- ❑ Nonhost boards are powered off
- ❑ Peripheral bays are powered up (if present)
- ❑ Fans and power supplies are powered on

Note System components such as fans and power supplies may be controlled by either HSC but not both. Default control belongs to Domain A and whichever HSC has control of Domain A has control of the system functions.

If Domain A is not controlled, nonhost boards are powered-off and all LED updates to the display panel and power supplies are suspended. Also, monitoring of alarm inputs from the display panel and power supplies are inhibited.

Subsequent to the default, the system software must determine the configuration of the system and then proceed to change it.

System Processor Configurations

The CPX8216 is a flexible system that allows for multiple configurations of processor control, I/O redundancy, and peripheral configurations. The following sections briefly touch on possible configurations.

As noted above, there are three possible processor/control configurations:

- ❑ A simplex system containing a single CPU-HSC pair controlling both I/O domains
- ❑ An active/passive configuration similar to the simplex configuration, but providing a warm backup for both the CPU and the HSC
- ❑ An active/active or load-sharing configuration in which each CPU runs a single domain while also serving as a backup to the other CPU.

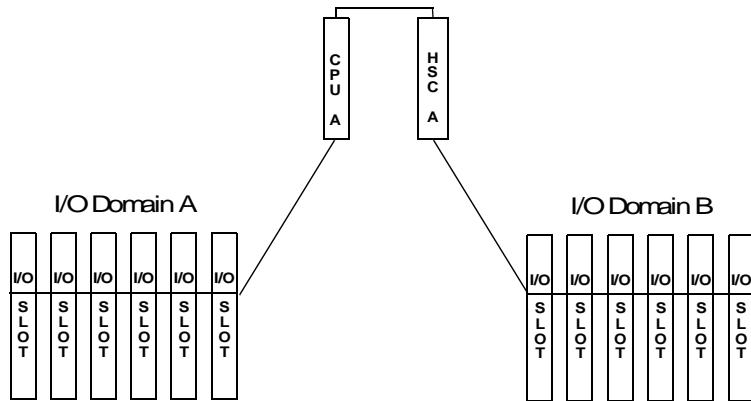
Note H.110 traffic and HA Linux do not support a load-sharing configuration.

The following sections give a general description of these configurations.

The Simplex Configuration

Because of the flexible nature of the CPX8216, it is possible to configure it with different levels of redundancy and availability. For applications which do not require the benefits of full high availability, it is possible to configure the CPX8216 as a simplex, 16-slot system. This configuration provides the benefits of redundant power supplies and the system monitoring capabilities of the fully redundant configuration.

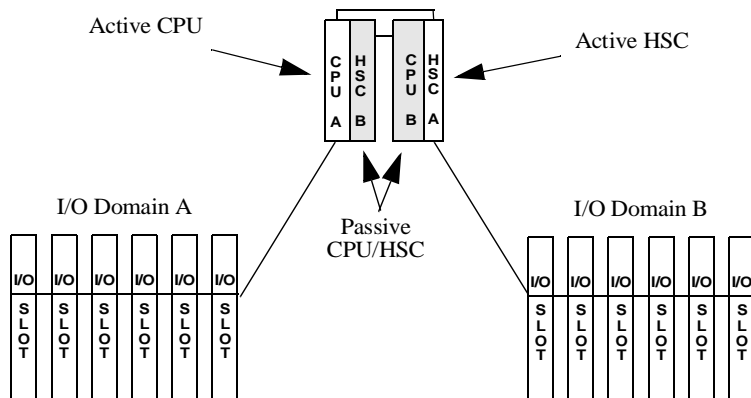
The simplex configuration is illustrated in the following figure.



The Active/Passive Configuration

In the active/passive configuration, one CPU manages all twelve I/O slots, much like in the simplex configuration. In addition, the second CPU serves as a warm standby, ready to run the system in the event of a failure on the active system.

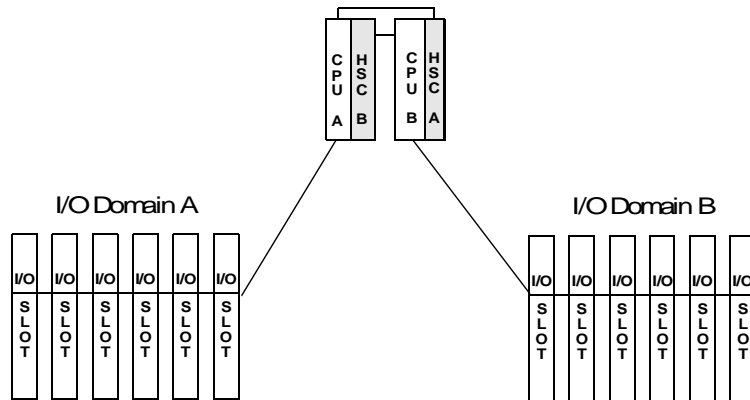
The active/passive configuration is illustrated in the following figure.



The Active/Active or Load-Sharing Configuration

In the load sharing configuration, each CPU manages six of the twelve I/O slots, much like a dual 8-slot system with the added benefit of one CPU being able to control all twelve I/O slots if the other CPU fails. It is important in a load-sharing configuration to note that the total critical activity does not exceed the capabilities of a single CPU, because either one of the CPUs must be ready to take over the load carried by the other.

The active/active configuration is illustrated in the following figure.



Note H.110 traffic and HA Linux do not support a load-sharing configuration.

I/O Configurations

The CPX8216 contains two independent 8-slot CompactPCI buses. One slot in each bus is dedicated to a system processor, and another is needed for the HSC. This leaves six slots on each bus to support I/O devices or nonsystem processors.

One possible configuration is to use the CPX8216 as a high I/O CompactPCI system with redundant CPUs. With this configuration, it is possible to run twelve independent I/O modules within a CPX8216 system. Applications requiring dense processing power could use all twelve I/O slots to support nonsystem processors.

Such a system would be protected against a CPU or HSC fault, but it would be vulnerable to data losses if any of the I/O modules or nonsystem processor modules were to fail. In systems handling critical data, it is possible to implement a 2N or an N+1 I/O redundancy strategy that allows the level of service to be continued in the event that a module fails.

In the case of a 2N-redundant system, each I/O module or nonsystem processor module is matched with an identical module on the other bus. The paired modules can be configured in an active/passive arrangement or a load-sharing arrangement in which each carries half of the load of a single module. In an N+1 arrangement, multiple modules are backed up by a single spare. For example, a single passive nonsystem processor module can be used to back up five others.

Peripherals

Power/Fan Modules

The CPX8216 system requires a minimum of two power/fan sled modules and a fan-only sled module to provide adequate power and cooling for a fully loaded, nonredundant system. The system can contain a third power supply/fan sled as part of an N+1 strategy, meaning that the system can continue providing service if one of the modules fails. These modules are hot swappable and available for DC and AC environments.

The fans run at either high speed (default) or temperature controlled, which can be changed using the operating system software via the API.

Drive Modules

The CPX8216 contains four hot-swappable peripheral bays, all of which support both SCSI and EIDE protocols.



The hot swapping of hard drives is supported when your system is configured with the appropriate software support for hot swap and when the drives are in a hot-swap drive carrier.

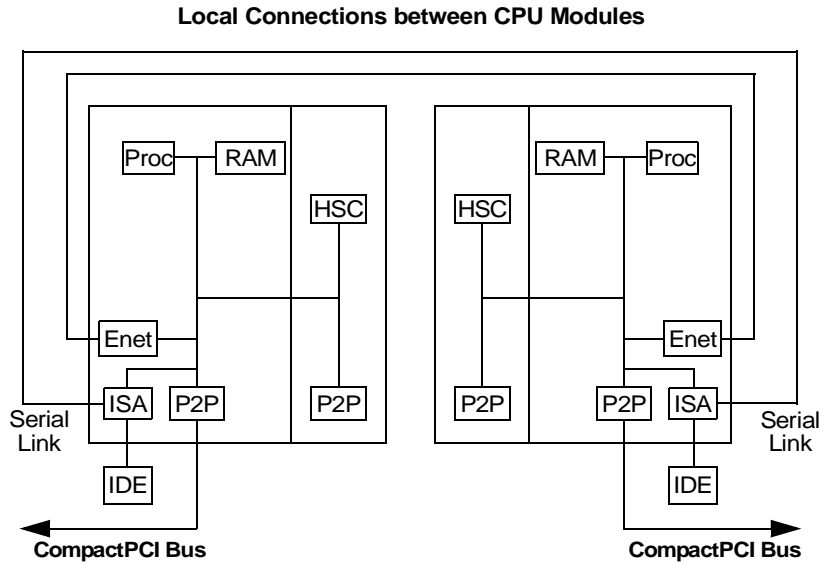
SCSI devices can be configured to be fully hot-swappable, and data can be hot switched between two independent SCSI controllers. EIDE devices are assigned to a single EIDE controller. They can be warm swapped, meaning that a failed device can be replaced once the controller has been powered off.

The rear of the CPX8216 chassis may be configured with either single or double, fixed, floppy drives. Floppy drives are not hot-swappable.

For more information on installing both hot-swappable and non-hot-swappable drives, refer to the *Drive Removal and Installation* chapter of the *CPX8216 and CPX8216T CompactPCI System Installation and Use* manual.

CPU Complex Architecture

The CPU complex in the CPX8216 contains two CPU modules and their corresponding Hot Swap Controller (HSC) modules. The figure below illustrates the architecture, including elements on the boards as well as local connections between the CPU modules and the PCI-to-PCI (P2P) connections to the local CompactPCI buses.



The CPU Module

In addition to the processor, RAM, etc., each CPU module contains one:

- Up to two Ethernet controllers
- Up to two serial communications links
- P2P bridge to the local CompactPCI bus
- Local PCI Bus connection to the HSC

Switching Service to the Passive CPU

The switchover from one CPU to another is initiated by the passive CPU when there is an indication that there is something wrong with the active CPU--such as a failed heartbeat protocol. The passive side notifies the active side that it is about to begin a switchover process. If the active side agrees to the switchover, then the two sides coordinate the hand-off and no bus signals, clocks, or devices should be corrupted. If the active system fails to cooperate with the takeover attempt, then we must assume that bus signals, clocks, and devices attached to the bus may be corrupted.

In a more extreme takeover, it is possible for the passive CPU to power-on reset the active CPU and to take control that way.

Chassis ID for CPX8216T

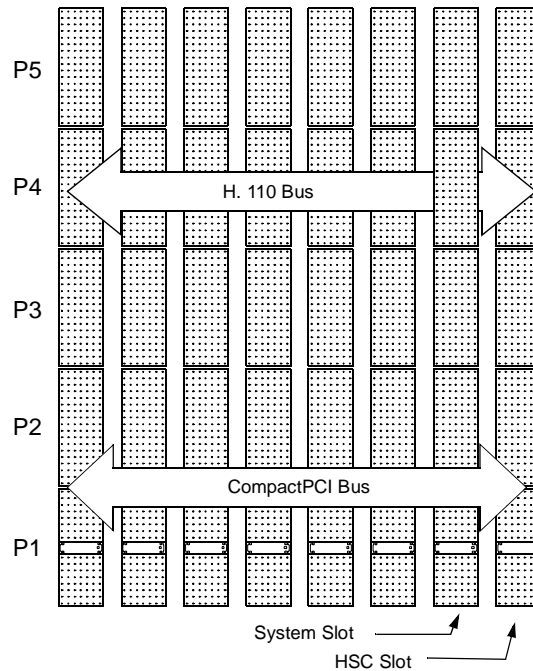
A unique 5-bit chassis ID can be assigned for each CPX8216T system. Hex values are on the rotary switches located on the HSC boards. A jumper can be added to J14 to double the number of unique identifiers. This feature should be used if more than 15 chassis are deployed in one location. The HSC boards are shipped with no jumper as the default. For guidelines on setting the chassis ID on your CPX8216T system, refer to the *CPX8000 Series CPX8216 and CPX8216T CompactPCI System Installation and Use* manual.

Alarms and LEDs

In order to provide a uniform appearance, without depending on individual board manufacturers, the CPX8216 contains a separate alarm display panel, which runs across the top of the chassis. In addition to In Service/Out of Service LED indicators for all sixteen slots, the alarm display panel contains LEDs for system status (System in Service/Component out of Service/System out of Service) and for the three standard Telco levels (Critical/Major/Minor). The three Telco alarms are also signalled through a dry contact relay.

H.110 Telephony Bus

The CPX8216T supports an H.110 Computer Telephony Bus. The H.110 bus uses P4/J4 as defined in the PICMG specification for CompactPCI.



2557 9906

Figure 1-5. The CPX8216T H.110 Bus

Board Insertion and Extraction Features

The PICMG specification details software and hardware features, in order to support hot swapping of I/O boards. Hardware features include:

- Staged pins that control voltages when inserting or extracting boards
- BD_SEL#, HEALTHY#, and ENUM# signals
- Hot swap control status register

Staged Pins

The PICMG CompactPCI hot swap specification provides for three separate pin lengths in order to control the insertion and extraction voltages and to notify the system when boards are inserted or extracted.

The longest pins, which include VCC pins and GND pins, are the first to mate during the insertion process and the last to break contact during extraction. These pins are used to supply power to pre-charge the PCI interface signals to a neutral state before they contact the bus. This pre-charging serves to minimize the capacitive effects of the board as it makes or breaks contact with the bus.

The medium-length pins carry PCI and other signal traffic.

The shortest pins are used to assert signals, including BD_SEL#. During insertion, the BD_SEL# signal enables the board to attach to the local PCI bus. On extraction, it causes the board to logically and electrically disconnect from the PCI bus before the bus pins physically break contact with the bus.

BD_SEL#

BD_SEL# is asserted by one of the pins that mate last on insertion and break first on extraction. On insertion, the signal tells the board to connect to the PCI bus. On extraction this pin breaks first, causing the board to logically and electrically disconnect from the PCI bus before the PCI bus pins physically break contact with the bus.

ENUM#

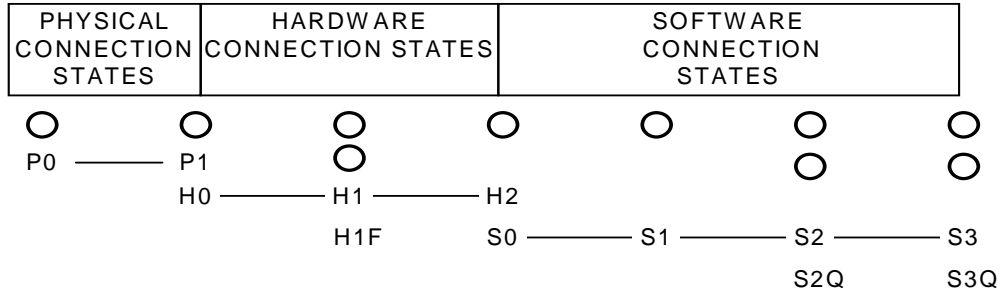
An ENUM interrupt is generated when a board is hot inserted into the CPX8216 chassis, or when an operator trips the board microswitch by raising its ejector handles. The signal informs the active CPU that the status of a board has changed. The CPU then identifies the board by polling the INSert and EXTract bits in all of the boards' Control Status Registers.

Hot Swap Control Status Register (CSR)

The CPX8216 supports hot swap CompactPCI cards with the standard control status register defined by the PICMG Hot Swap Specification. The register is visible in PCI configuration space and provides hot swap control and status bits: INS and EXT. The INS signal is set when ENUM# is asserted by a board being inserted into the system. The EXT signal is asserted when ENUM# is asserted by an operator triggering the microswitch in the board handles. The host also uses these bits to acknowledge and de-assert ENUM#.

The Hot Swap Process

PICMG divided the complete hot swap process into physical, hardware and software connection processes. These processes are formally broken down further into a group of transitional states, which are illustrated in the following figure.



When inserting a board, it goes through all states from P0 to S3. Conversely, a board transitions from S3 to P0 before being extracted. During normal operation, no states are skipped. Extracting a board in a software connection state other than S0 is likely to disrupt software enough to crash the system, but the CompactPCI bus, from a purely electrical point of view, will not be disrupted enough to cause logic levels to be violated.

Certain states are overlapping. For example, when the board is fully seated (completed P1), but has not yet started the hardware connection process

(H0), it said to be in the P1/H0 state. Similarly, one can speak of a board being in the H2/S0 state.

Physical Connection Process

The physical connection process is the basic process of putting a board into a live system, or physically removing the board. The process includes two states:

- ❑ P0 - The board is physically separate from the system
- ❑ P1 - The board is fully seated, but not powered, and not active on the PCI bus. All pins are connected.

Hardware Connection Process

The hardware connection process involves the electrical connection or disconnection of the board. This process includes three states:

- ❑ H0 - The board is not active on the PCI bus. This state is equivalent to P1 above.
- ❑ H1 - The board has powered up and is sufficiently initialized to connect to the PCI bus.
- ❑ H2 - The board is powered, and enabled for access by a PCI bus transaction (normally by the host) in PCI configuration space only. The board configuration space is not yet initialized.

When a newly inserted board has completed H2, the board is operable from a hardware perspective. It has run its power up diagnostics, initialized itself, loaded EEPROM data, etc. The blue LED is off in the H2 state, indicating that the board should not be pulled out.

Software Connection Process

The software connection process includes the tasks needed to configure and load software. This process contains four states:

- ❑ S0 - The Software Connection Process has not been initiated. The board's configuration space registers are accessible but not yet initialized.
- ❑ S1 - The board is configured by the system. The system has initialized the board's PCI configuration space registers with I/O space, memory space, interrupts and PCI bus numbers. The board is ready to be accessed by a device driver, but no drivers are loaded at this time.
- ❑ S2 - The necessary supporting software (drivers, etc.) have been loaded. The board is ready for use by the OS and/or the application, but no operations involving the board are active or pending.
- ❑ S3 - The board is active. Software operations are either active or pending.

Software Disconnection Process

The software disconnection process defines two additional states which are used when quiescing activity on a board in preparation for extraction:

- ❑ S3Q - The software is completing current operations, but is not allowed to start new ones. When current operations are completed, the board transitions to S2.
- ❑ S2Q - The board is quiesced. This is the same state as S2, except that no new operations are allowed to be initiated.

The Software Disconnection Process proceeds as S3, S3Q, S2Q, S1, and finally S0.

Typical Insertion and Extraction Processes

Many of the steps in the insertion and extraction processes are automated by software. After the operator installs a board, it automatically advances to P1. The hardware connection process proceeds automatically and asserts the ENUM# signal to initiate the software connection process. The host responds to the bussed ENUM# signal by reading the Hot Swap Control Status Register of each board to find out which one is signaling an insertion or extraction (INS or EXT bit asserted). Upon detecting an insertion, the Host responds by adding software drivers to support the newly inserted board.

Extraction is initiated when the operator opens the board ejector handle, which activates a mechanical switch to assert ENUM#. The hot plug system driver senses ENUM# and notifies software that board activity must be quiesced and that software device drivers should be unloaded. The application that is using the board is informed that the resource is no longer available. When the board is ready for extraction, software informs the operator by illuminating the blue LED. After extraction, all system resources previously assigned to that board are made available for other uses.

Device Drivers

In order to take full advantage of the high availability functions of the CPX8216, and to support hot swap, board device drivers need to be enhanced. Drivers need to cease all activity when the device is about to be hot swapped, and they need to support initialization of the device without support from the device firmware or BIOS.

Further, high availability device drivers need to be able to enter a standby mode while bus control is being passed from one CPU to another. They also provide diagnostic interfaces for run time fault detection and for pre-initialization testing of newly inserted boards.

Overview

This chapter provides reference information for the CompactPCI system controller/host CPU modules supported in the CPX8216 system.

The correct jumper setting and pin-out information is provided for each module.

Note The CPX750HA is sometimes identified as an MCP750HA in some chassis and firmware documentation, for packaging and ordering purposes, but both numbers apply to the same board.

Your system may not contain all boards listed in this chapter, or it may contain third-party boards that are not listed in this chapter. For information about third-party boards, refer to the board manufacturer's documentation.

This chapter contains information for the following CompactPCI boards:

Table 2-1. CompactPCI Boards

Part No.	Description	Slots Occupied	Page
CPX750HA	PowerPC Hot Swappable CPU	1	2-1
CPV5350	Intel Hot Swappable CPU	1	2-16

CPX750HA

The CPX750HA is a single-slot, single-board computer equipped with a PowerPC™ 750 Series microprocessor. The processor implements a backside cache controller and the board comes with 1MB of cache memory.

The CPX750HA offers many standard features desirable in a CompactPCI computer system, such as:

- PCI Bridge and Interrupt Controller
- ECC Memory Controller chipset
- 5MB to 9MB of linear FLASH memory
- IDE CompactFlash memory
- 16MB to 256MB of ECC-protected DRAM
- Interface to a CompactPCI bus
- Several I/O peripherals

The I/O peripheral interfaces present on the onboard PCI bus include:

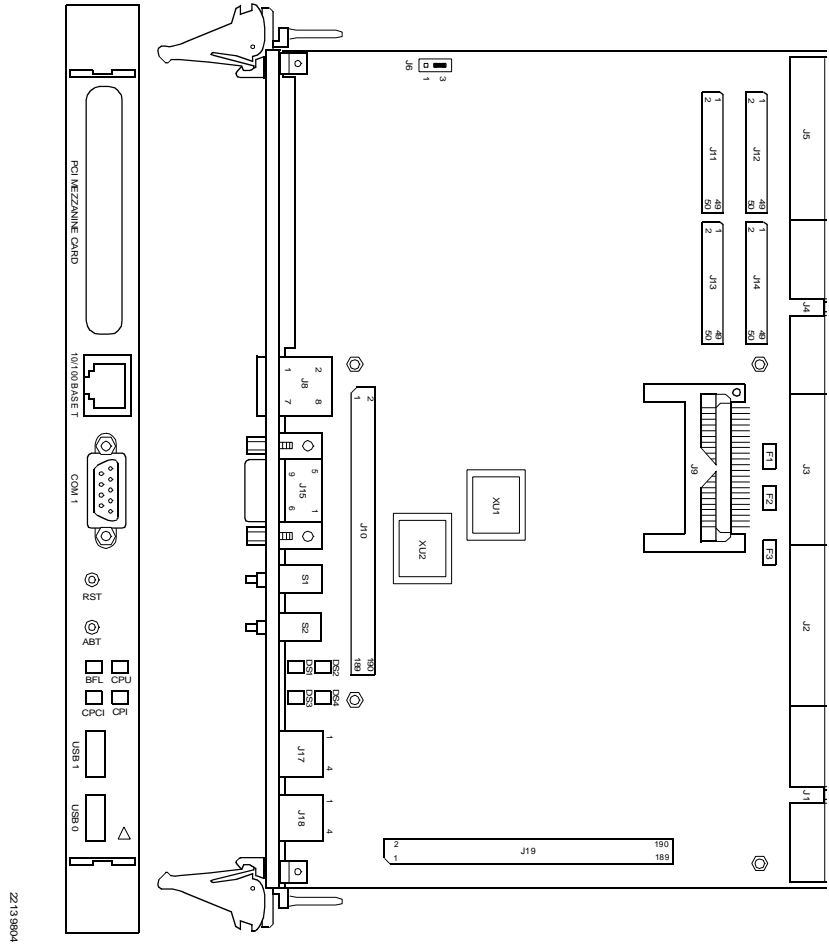
- One 10/100-BASE-T Ethernet interface
- One USB host controller
- One SA master/slave interface
- One Fast EIDE interface
- One PMC Slot

Functions provided from the ISA bus are two asynchronous and two synchronous/asynchronous serial ports, keyboard, mouse, a floppy disk controller, printer port, a real time clock, and NVRAM.

The CPX750HA interfaces to a CompactPCI bus using a DEC 21154 PCI-to-PCI bridge device. This device provides a 64-bit primary and a 64-bit secondary interface allowing full 64-bit data access between CompactPCI bus devices and the host/PCI bridge. This bus is capable of driving seven CompactPCI slots.

Another key feature of the CPX750HA is the PCI (Peripheral Component Interconnect) bus. In addition to the onboard local bus peripherals, the PCI bus supports an industry-standard mezzanine interface, IEEE P1386.1 PMC (PCI Mezzanine Card). PMC modules offer a variety of possibilities for I/O expansion.

The base board supports PMC I/O for the front panel or through backplane connector J3 to a CPX750HATM transition module.



Connectors and Jumper Settings

The next sections provide pinout information and jumper settings for the CPX750HA board. Additional pinout assignments can be found in Chapters 3 through 6.

Backplane Connectors (P5, P4, P3, P2, P1)

Refer to the backplane reference section for the backplane connector pin assignments.

Front USB Connectors (J17 and J18)

Two USB Series A receptacles are located at the front panel of the CPX750HA board. The pin assignments for these connectors are as follows:

Table 2-2. USB 0 Connector J18

1	UVCC0
2	UDATA0N
3	UDATA0P
4	GND

Table 2-3. USB 1 Connector J17

1	UVCC1
2	UDATA1N
3	UDATA1P
4	GND

10BaseT/100BaseTx Connector (J8)

The 10BaseT/100BaseTx Connector is an RJ45 connector located on the front panel of the CPX750HA board. The pin assignments for this connector are as follows:

Table 2-4. 10BaseT/100BaseTx Connector J8

1	TD+
2	TD-
3	RD+
4	AC Terminated
5	AC Terminated
6	RD-
7	AC Terminated
8	AC Terminated

COM1 Connector (J15)

A standard DB9 receptacle is located on the front panel of the CPX750HA to provide the interface to the COM1 serial port. These COM1 signals are also routed to J11 on the transition module. A terminal may be connected to J15 or J11 on the transition module but not both at the same time. The pin assignments for this connector is as follows:

Table 2-5. COM1 Connector J15

1	DCD
2	RXD
3	TXD
4	DTR
5	GND
6	DSR
7	RTS
8	CTS
9	RI

Debug Connector (J19)

A 190-pin connector (J19 on the CPX750HA base board) provides access to the processor bus (MPU bus) and some bridge/memory controller signals. It can be used for debugging purposes. The pin assignments are listed in the following table.

Table 2-6. Debug Connector (J19)

1	PA0		PA1	2
3	PA2		PA3	4
5	PA4		PA5	6
7	PA6		PA7	8
9	PA8		PA9	10
11	PA10		PA11	12
13	PA12		PA13	14
15	PA14		PA15	16
17	PA16		PA17	18
19	PA18	GND	PA19	20
21	PA20		PA21	22
23	PA22		PA23	24
25	PA24		PA25	26
27	PA26		PA27	28
29	PA28		PA29	30
31	PA30		PA31	32
33	PA_PAR0		PA_PAR1	34
35	PA_PAR2		PA_PAR3	36
37	APE*		RSRV*	38
39	PD0		PD1	40
41	PD2		PD3	42

Table 2-6. Debug Connector (J19) (continued)

43	PD4		PD5	44
45	PD6		PD7	46
47	PD8		PD9	48
49	PD10		PD11	50
51	PD12		PD13	52
53	PD14		PD15	54
55	PD16		PD17	56
57	PD18	+5V	PD19	58
59	PA20		PD21	60
61	PD22		PD23	62
63	PD24		PD25	64
65	PD26		PD27	66
67	PD28		PD29	68
69	PD30		PD31	70
71	PD32		PD33	72
73	PD34		PD35	74
75	PD36		PD37	76
77	PD38		PD39	78
79	PD40		PD41	80
81	PD42		PD43	82
83	PD44		PD45	84
85	PD46		PD47	86
87	PD48		PD49	88
89	PA50		PD51	90
91	PD52		PD53	92
93	PD54		PD55	94

Table 2-6. Debug Connector (J19) (continued)

95	PD56	GND	PD57	96
97	PD58		PD59	98
99	PD60		PD61	100
101	PD62		PD63	102
103	PDPAR0		PDPAR1	104
105	PDPAR2		PDPAR3	106
107	PDPAR4		PDPAR5	108
109	PDPAR6		PDPAR7	110
111	No Connection		No Connection	112
113	DPE*		DBDIS*	114
115	TT0		TSIZ0	116
117	TT1		TSIZ1	118
119	TT2		TSIZ2	120
121	TT3		No Connection	122
123	TT4		No Connection	124
125	CI*		No Connection	126
127	WT*		No Connection	128
129	GLOBAL*		No Connection	130
131	SHARED*		DBWO*	132
133	AACK*	+3.3V	TS*	134
135	ARTY*		XATS*	136
137	DRTY*		TBST*	138
139	TA*		No Connection	140
141	TEA*		No Connection	142
143	No Connection		DBG*	144
145	No Connection		DBB*	146

Table 2-6. Debug Connector (J19) (continued)

147	No Connection		ABB*	148
149	TCLK_OUT		MPUBG-0*	150
151	No Connection		MPUBR0*	152
153	MPUBR1*		IRQ0*	154
155	MPUBG1*		MCHK*	156
157	WDTITO*		SMI*	158
159	WDT2TO*		CKSTPI*	160
161	L2BR*		CKSTPO*	162
163	L2BG*		HALTED (N/C)	164
165	CLAIM*		TLBISYNC*	166
167	No Connection		TBEN	168
169	No Connection*		No Connection	170
171	No Connection*	GND	No Connection	172
173	No Connection*		No Connection	174
175	No Connection		NAPRUN	176
177	SRST1*		QREQ*	178
179	SRESET*		QACK*	180
181	HRESET*		CPUTDO	182
183	GND		CPUTDI	184
185	CPUCLK1		CPUTCK	186
187	No Connection		CPUTMS	188
189	No Connection		CPUTRST*	190

DRAM Mezzanine Connector (J10)

A 190-pin connector (J10 on the CPX750HA base board) supplies the interface between the memory bus and the RAM300 DRAM mezzanine. The pin assignments are listed in the following table.

Table 2-7. DRAM Mezzanine Connector (J10)

1	A_RAS*		A_CAS*	2
3	B_RAS*		B_CAS*	4
5	C_RAS*		C_CAS*	6
7	D_RAS*		D_CAS*	8
9	OEL*		OEU*	10
11	WEL*		WEU*	12
13	ROMACS*		ROMBCS*	14
15	RAMAEN		RAMBEN	16
17	RAMCEN		EN5VPWR	18
19	RAL0	GND	RAL1	20
21	RAL2		RAL3	22
23	RAL4		RAL5	24
25	RAL6		RAL7	26
27	RAL8		RAL9	28
29	RAL10		RAL11	30
31	RAL12		RAU0	32
33	RAU1		RAU2	34
35	RAU3		RAU4	36
37	RAU5		RAU6	38
39	RAU7		RAU8	40
41	RAU9		RAU10	42
43	RAU11		RAU12	44

Table 2-7. DRAM Mezzanine Connector (J10) (continued)

45	RDL0		RDL1	46
47	RDL2		RDL3	48
49	RDL4		RDL5	50
51	RDL6		RDL7	52
53	RDL8		RDL9	54
55	RDL10		RDL11	56
57	RDL12	+5V	RDL13	58
59	RDL14		RDL15	60
61	RDL16		RDL17	62
63	RDL18		RDL19	64
65	RDL20		RDL21	66
67	RDL22		RDL23	68
69	RDL24		RDL25	70
71	RDL26		RDL27	72
73	RDL28		RDL29	74
75	RDL30		RDL31	76
77	RDL32		RDL33	78
79	RDL34		RDL35	80
81	RDL36		RDL37	82
83	RDL38		RDL39	84
85	RDL40		RDL41	86
87	RDL42		RDL43	88
89	RDL44		RDL45	90
91	RDL46		RDL47	92
93	RDL48		RDL49	94
95	RDL50	GND	RDL51	96

Table 2-7. DRAM Mezzanine Connector (J10) (continued)

97	RDL52		RDL53	98
99	RDL54		RDL55	100
101	RDL56		RDL57	102
103	RDL58		RDL59	104
105	RDL60		RDL61	106
107	RDL62		RDL63	108
109	CDL0		CDL1	110
111	CDL2		CDL3	112
113	CDL4		CDL5	114
115	CDL6		CDL7	116
117	No Connection		No Connection	118
119	RDU0		RDU1	120
121	RDU2		RDU3	122
123	RDU4		RDU5	124
125	RDU6		RDU7	126
127	RDU8		RDU9	128
129	RDU10		RDU11	130
131	RDU12		RDU13	132
133	RDU14	+3.3V	RDU15	134
135	RDU16		RDU17	136
137	RDU18		RDU19	138
139	RDU20		RDU21	140
141	RDU22		RDU23	142
143	RDU24		RDU25	144
145	RDU26		RDU27	146
147	RDU28		RDU29	148

Table 2-7. DRAM Mezzanine Connector (J10) (continued)

149	RDU30		RDU31	150
151	RDU32		RDU33	152
153	RDU34		RDU35	154
155	RDU36		RDU37	156
157	RDU38		RDU39	158
159	RDU40		RDU41	160
161	RDU42		RDU43	162
163	RDU44		RDU45	164
165	RDU46		RDU47	166
167	RDU48		RDU49	168
169	RDU50		RDU51	170
171	RDU52	GND	RDU53	172
173	RDU54		RDU55	174
175	RDU56		RDU57	176
177	RDU58		RDU59	178
179	RDU60		RDU61	180
181	RDU62		RDU63	182
183	CDU0		CDU1	184
185	CDU2		CDU3	186
187	CDU4		CDU5	188
189	CDU6		CDU7	190

EIDE Compact FLASH Connector (J9)

A 50-pin Compact FLASH card header connector provides the EIDE interface to the Compact FLASH Memory Card. The pin assignments for this connector are as follows:

Table 2-8. EIDE Compact FLASH Connector J9

1	GND	DATA3	2
3	DATA4	DATA5	4
5	DATA6	DATA7	6
7	DCS1A_L	GND	8
9	GND	GND	10
11	GND	GND	12
13	+5V	GND	14
15	GND	GND	16
17	GND	DA2	18
19	DA1	DA0	20
21	DATA0	DATA1	22
23	DATA2	NO CONNECT	24
25	CD2_L	CD1_L	26
27	DATA11	DATA12	28
29	DATA13	DATA14	30
31	DATA15	DCS3A_L	32
33	NO CONNECT	DIORA_L	34
35	DIOWA_L	NO CONNECT	36
37	INTRQA	+5V	38
39	MASTER/SLAVE	NO CONNECT	40
41	RST_L	DIORDYA	42
43	NO CONNECT	NO CONNECT	44

Table 2-8. EIDE Compact FLASH Connector J9

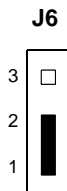
45	NO CONNECT	NO CONNECT	46
47	DATA8	DATA9	48
49	DATA10	GND	50

Flash Bank Selection (J6)

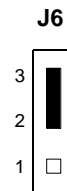
The CPX750HA base board has provision for 1MB of 16-bit flash memory. The RAM300 memory mezzanine accommodates 4MB or 8MB of additional 64-bit flash memory.

The flash memory is organized in either one or two banks, each bank either 16- or 64-bits wide. Bank B contains the onboard debugger, PPCBug.

To enable flash bank A (4MB or 8MB of firmware resident on soldered-in devices on the RAM300 mezzanine), place a jumper across header J6 pins 1 and 2. To enable flash bank B (1MB of firmware located in sockets on the base board), place a jumper across header J6 pins 2 and 3.



Flash Bank A Enabled (4MB/8MB, Soldered)

Flash Bank B Enabled (1MB, Sockets)
(Factory Configuration)

CPV5350

The CPV5350 Single Board Computer (SBC) is a hot swap, CompactPCI (Compact Peripheral Communication Interface) compliant computer with high availability platform support. It is powered by a PICMG (PCI Industrial Computer Manufacturers Group) compatible Pentium® II Deschutes Mobile Module. The CPV5350's 6U CompactPCI standard form factor (160mm x 233mm x 61mm), 4HP (.8 inch) is designed for installation into PICMG CompactPCI-compliant backplanes.

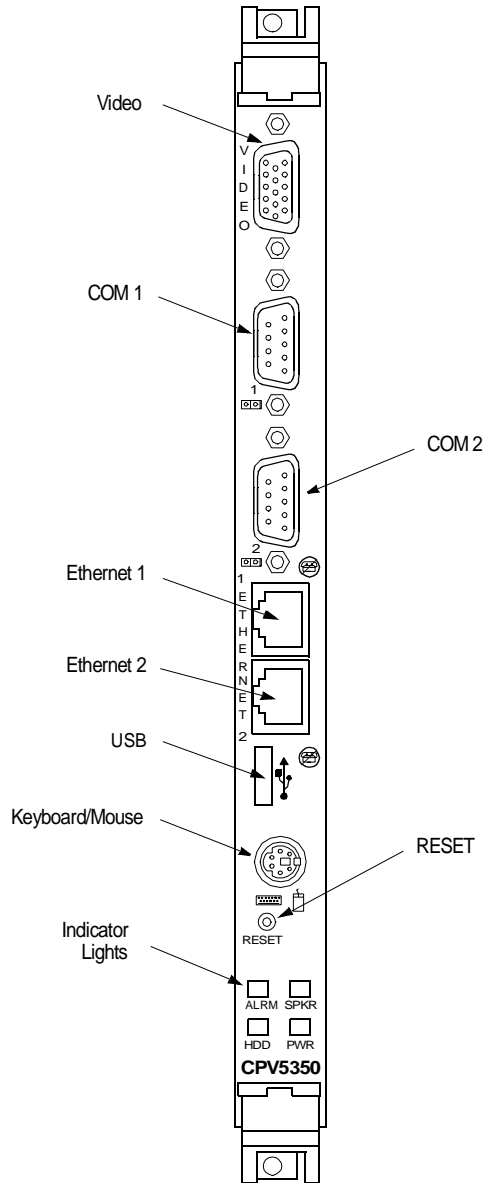
The CPV5350 provides:

- Standard PC I/O
- USB
- PCI EIDE
- 3D AGP graphics
- Dual fast Ethernet controllers
- Optional onboard CompactFlash™ connector

The CPV5350's front panel has connectors for:

- Keyboard/mouse
- Video
- Two serial ports (COM1 and COM2)
- Two Ethernet ports
- Two USB ports
- LED Indicator lights for watchdog alarm, speaker status, hard disk drive activity, and power.

Refer to the following illustration for front panel connectors and LEDs on the CPV5350.



Connectors

The next table lists the connectors available to support devices on the CPV5350. [Figure 2-1 on page 2-19](#) shows the location of the connectors described in the table.

Table 2-9. CPV5350 Front Panel Connectors, Board Headers and Components

Connector	Description
J1	Backplane connector
J2	Backplane connector
J3	Backplane connector
J4	Backplane connector
J5	Backplane connector
J6	Ethernet 2
J9	EIDE
J10	Reserved (in-circuit programming)
J12	Reserved (in-circuit emulator)
J13	Ethernet 1
J14	USB port 1
J16	Reset (connected to push-button on the front panel)
J21	Flash ROM
J23	Video connector
J24	COM1 (Serial Port 1)
J25	COM2 (Serial Port 2)
J50	Keyboard/Mouse

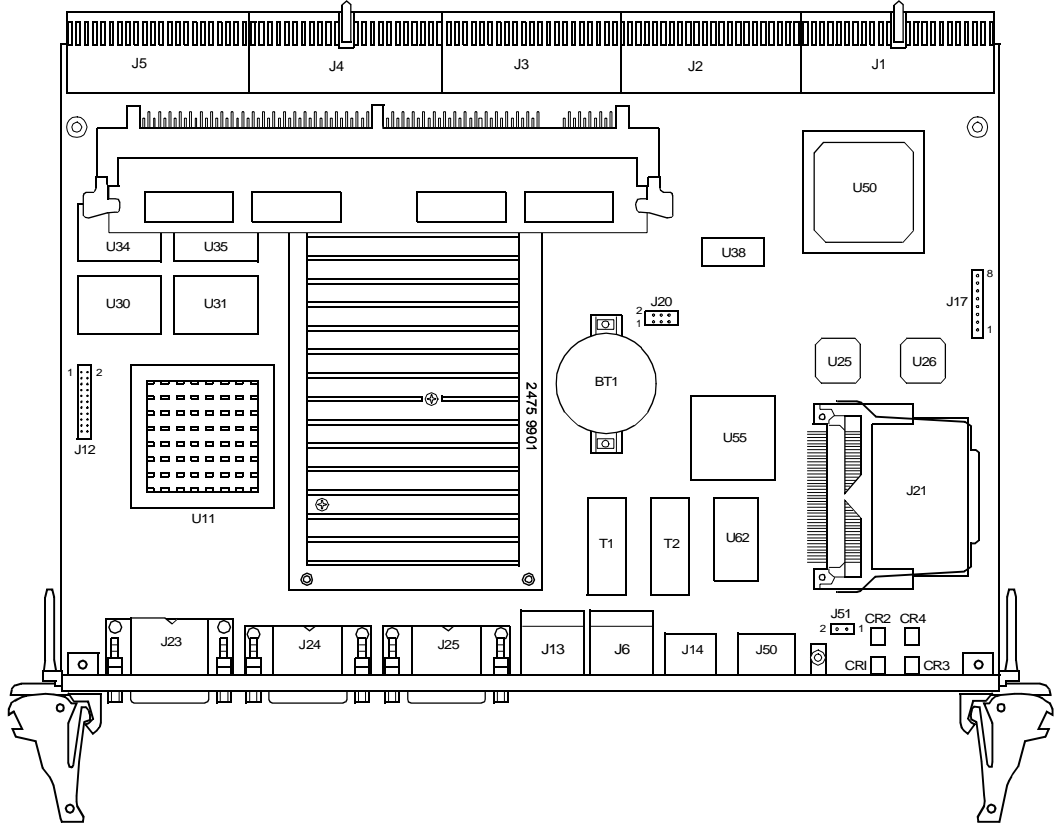


Figure 2-1. CPV5350 Component Side View

Transition Module

The CPV5350TM80 transition module provides backplane I/O through the J3 and J5 connectors on the CPV5350 controller module.

When the identical function is available through the CPV5350's front panel and the rear transition module, you can use either the front or the rear, not both.

DRAM Memory Configuration

The CPV5350 has one 168-pin DIMM site for memory expansion. The DIMM sites accept industry standard PC100-compliant DIMM modules (8, 16, 32, 64, 128, or 256MB) with or without ECC. You can use either registered or unbuffered memory modules.

Keyboard/Mouse PS2 Connector

The keyboard/mouse connector (J50) uses a 6-pin, female PS/2 connector.

Table 2-10. Keyboard/Mouse P/S2 Connector Pin Assignments (J50)

Pin Number	Signal Mnemonic	Signal Description
1	KBDDAT	Keyboard Data
2	AUXDAT	Auxiliary Data
3	GND	Ground
4	KBDVCC	Keyboard Power (current limited to .75 Amp)
5	KBDCLK	Keyboard Clock
6	AUXCLK	Auxiliary Clock
7	CGND	Common Ground

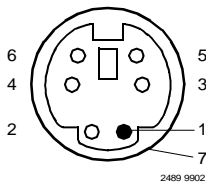


Figure 2-2. Keyboard/Mouse Connector Diagram

Ethernet Connectors

Ethernet 1 (J13) and Ethernet 2 (J6) use standard RJ-45 connectors.

Table 2-11. Ethernet Connector Pin Assignments (J13 and J6)

Pin Number	Signal Mnemonic	Signal Description
1	TX+	Differential transmit lines
2	TX-	Differential transmit lines
3	RX+	Differential receive lines
4	--	--
5	--	--
6	RX-	Differential receive lines
7	--	--
8	--	--

Universal Serial Bus (USB) Connector

USB Port 1 and Port 2 (J14) use a 2 x 4 pin USB connector.

Table 2-12. USB Connector Pin Assignments (J14)

Pin Number	Signal Mnemonic	Signal Description
1	+5V	Current limited USB power
2	DATA+	USB serial communication differential
3	DATA-	USB serial communication differential
4	GND	USB port common

Serial Port Connectors

COM 1 (Serial Port 1) (J24) and COM 2 (Serial Port 2) (J25) use 2 x 9-pin D-sub connectors.

Table 2-13. Serial Port Connector Pin Assignments (J24 and J25)

Pin Number	Signal Mnemonic	Signal Description
1	DCD-	data set has detected the data carrier
2	RX	Receives serial data input from communication link
3	TX	Sends serial output to communication link
4	DTR-	data set is ready to establish a communication link
5	GND	Ground
6	DSR-	data set is ready to establish a communication link
7	RTS-	indicates to data set that UART is ready to exchange data
8	CTS-	data set is ready to exchange data
9	RI-	modem has received a telephone ringing signal

Video Connector

The video connector (J23) uses a 15-pin high density D-sub connector.

Table 2-14. Video Connector Pin Assignments (J23)

Pin Number	Signal Mnemonic	Signal Description
1	RED	Red signal
2	GREEN	Green signal
3	BLUE	Blue signal

Table 2-14. Video Connector Pin Assignments (J23)

Pin Number	Signal Mnemonic	Signal Description
4	NC	Not connected
5	DACVSS	Video return
6	DACVSS	Video return
7	DACVSS	Video return
8	DACVSS	Video return
9	NC	Not connected
10	DACVSS	Video return
11	NC	Not connected
12	DDCDAT	Display data channel data signal for DDC2 support
13	HSYNC	Horizontal synchronization
14	VSYNC	Vertical synchronization
15	DDCCLK	Display data channel clock signal for DDC2 support

Overview

This chapter provides reference information for the CPX8540 carrier card. The CPV8540 is a 64-bit, 6U, single-width (4HP) CompactPCI® card that provides front access to PMC modules with both front and rear I/O connectivity. Rear I/O connections via J3 and J5 allow its use in both standard CompactPCI backplanes and CompactPCI backplanes with the H.110 CT bus. The correct jumper settings and pin-out information is provided for each connector on the carrier card.

This chapter does not include the system controller/host modules. For information about the system controller/host, refer to [Chapter 2, CPU Modules](#).

CPX8540 Carrier Card

The CPX8540 carrier card provides connectivity to a wide variety of video, ATM, analog, serial, and many other functions. The board supports one double-width or two single-width PMC mezzanine modules.

Once connected, the PMC modules are accessed via front panel connections of the carrier card. In addition, I/O lines are brought out to the carrier card's rear 2mm pin and socket connectors, allowing rear panel connections in systems such as the CPX8216T chassis.

Key features of the CPX8540 are:

- ❑ Supports standard (IEEE P1386.1) PMC mezzanine modules
- ❑ Holds one double-width or two single-width modules
- ❑ All PMC I/O brought out to the front panel and to rear connectors
- ❑ Single CompactPCI load via DEC 21154 bridge
- ❑ Supports 5.0 or 3.3 Volt PMC modules
- ❑ Supports Plug and Play

The CPX8540 reports itself to the system as a bridge chip with the PMC functions behind it.

The following two figures provide overviews of the card.

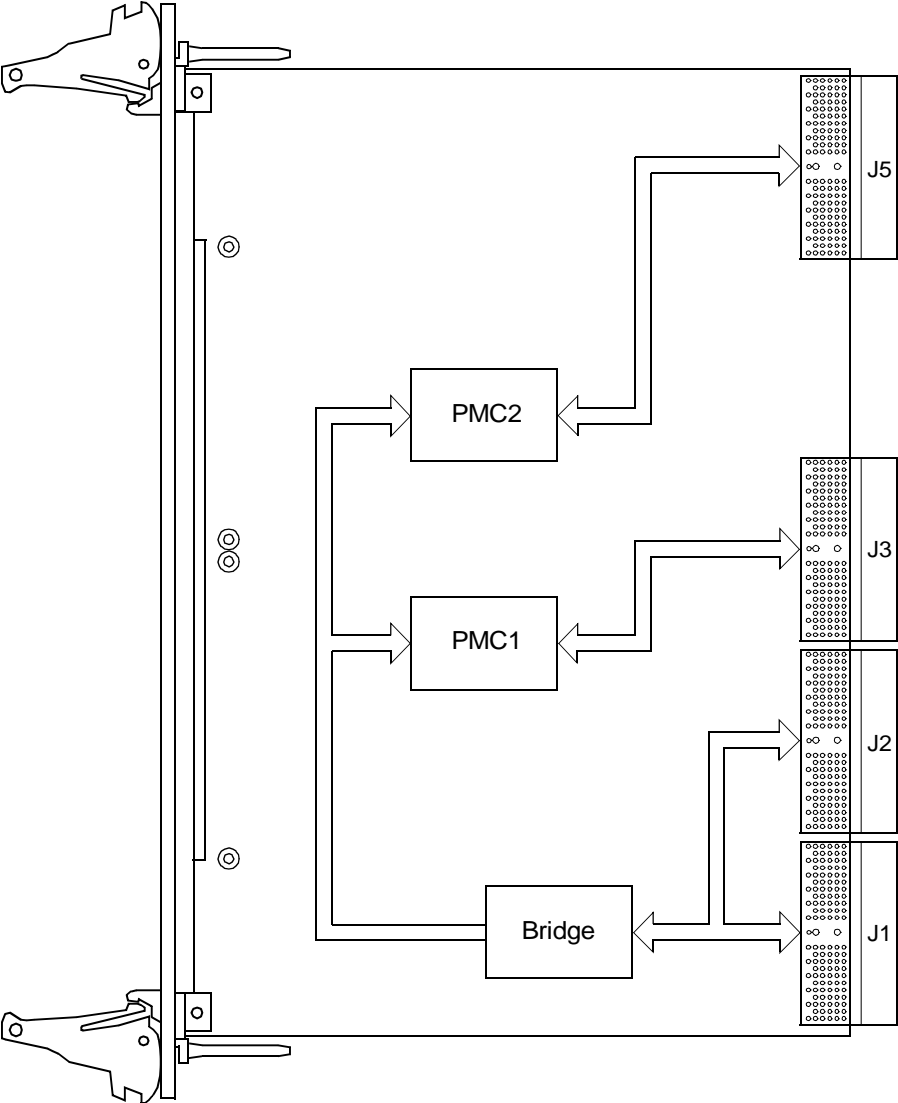


Figure 3-1. PMC Modules to CPX8540 Carrier Card

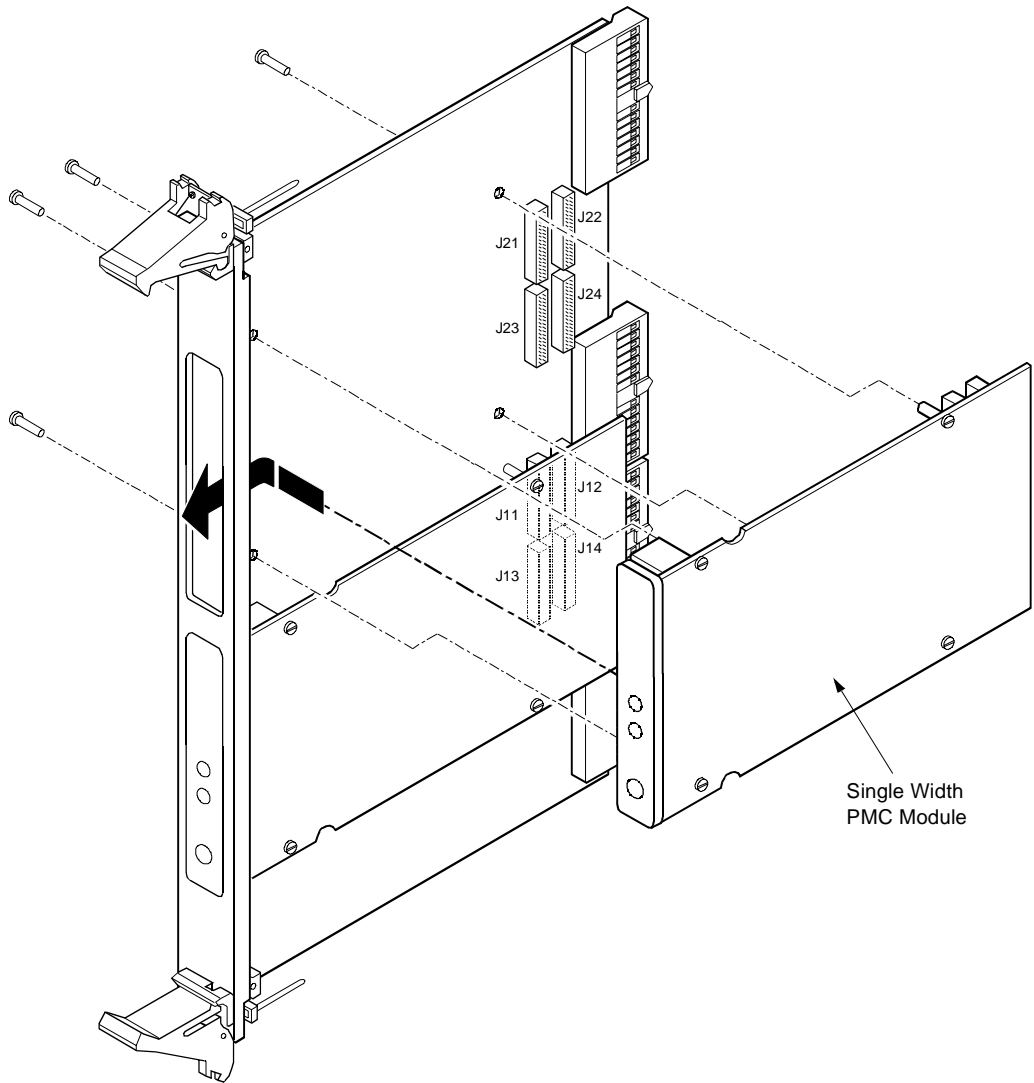


Figure 3-2. Installing a PMC Module

Connector Pinouts

The tables in this section provide the connector pinout information for the rear connectors on the carrier card.

Table 3-1. CPCI J3 I/O Connector Pinout

	ROW A	ROW B	ROW C	ROW D	ROW E	
14	+3.3V	+3.3V	+3.3V	+5V	+5V	14
13	PMC1IO5	PMC1IO4	PMC1IO3	PMC1IO2	PMC1IO1	13
12	PMC1IO10	PMC1IO9	PMC1IO8	PMC1IO7	PMC1IO6	12
11	PMC1IO15	PMC1IO14	PMC1IO13	PMC1IO12	PMC1IO11	11
10	PMC1IO20	PMC1IO19	PMC1IO18	PMC1IO17	PMC1IO16	10
9	PMC1IO25	PMC1IO24	PMC1IO23	PMC1IO22	PMC1IO21	9
8	PMC1IO30	PMC1IO29	PMC1IO28	PMC1IO27	PMC1IO26	8
7	PMC1IO35	PMC1IO34	PMC1IO33	PMC1IO32	PMC1IO31	7
6	PMC1IO40	PMC1IO39	PMC1IO38	PMC1IO37	PMC1IO36	6
5	PMC1IO45	PMC1IO44	PMC1IO43	PMC1IO42	PMC1IO41	5
4	PMC1IO50	PMC1IO49	PMC1IO48	PMC1IO47	PMC1IO46	4
3	PMC1IO55	PMC1IO54	PMC1IO53	PMC1IO52	PMC1IO51	3
2	PMC1IO60	PMC1IO59	PMC1IO58	PMC1IO57	PMC1IO56	2
1	V(I/O)	PMC1IO64	PMC1IO63	PMC1IO62	PMC1IO61	1
NOTE: PMC1IO* signals are those connected to the lower PMC slot, or slot 1.						

Table 3-2. CPCI J5 I/O Connector Pinout

	ROW A	ROW B	ROW C	ROW D	ROW E	
13	PMC2IO5	PMC2IO4	PMC2IO3	PMC2IO2	PMC2IO1	13
12	PMC2IO10	PMC2IO9	PMC2IO8	PMC2IO7	PMC2IO6	12
11	PMC2IO15	PMC2IO14	PMC2IO13	PMC2IO12	PMC2IO11	11

Table 3-2. CPCI J5 I/O Connector Pinout (continued)

10	PMC2IO20	PMC2IO19	PMC2IO18	PMC2IO17	PMC2IO16	10
9	PMC2IO25	PMC2IO24	PMC2IO23	PMC2IO22	PMC2IO21	9
8	PMC2IO30	PMC2IO29	PMC2IO28	PMC2IO27	PMC2IO26	8
7	PMC2IO35	PMC2IO34	PMC2IO33	PMC2IO32	PMC2IO31	7
6	PMC2IO40	PMC2IO39	PMC2IO38	PMC2IO37	PMC2IO36	6
5	PMC2IO45	PMC2IO44	PMC2IO43	PMC2IO42	PMC2IO41	5
4	PMC2IO50	PMC2IO49	PMC2IO48	PMC2IO47	PMC2IO46	4
3	PMC2IO55	PMC2IO54	PMC2IO53	PMC2IO52	PMC2IO51	3
2	PMC2IO60	PMC2IO59	PMC2IO58	PMC2IO57	PMC2IO56	2
1	V(I/O)	PMC2IO64	PMC2IO63	PMC2IO62	PMC2IO61	1
NOTE: PMC2IO* signals are those connected to the upper PMC slot, or slot 2.						

Table 3-3. PCI 32-bit Interface Connector P11/J11, P21/J21

Pin#	Signal Name	Signal Name	Pin #
1	TCK	-12V	2
3	GND	INTA#	4
5	INTB#	INTC#	6
7	BUSMODE1#	+5V	8
9	INTD#	PCI-RSVD*	10
11	GND	PCI-RSVD*	12
13	CLK	GND	14
15	GND	GNT#	16
17	REQ#	+5V	18
19	V (I/O)	AD[31]	20
21	AD[28]	AD[27]	22
23	AD[25]	GND	24

Table 3-3. PCI 32-bit Interface Connector P11/J11, P21/J21 (continued)

Pin#	Signal Name	Signal Name	Pin #
25	GND	C/BE[3]#	26
27	AD[22]	AD[21]	28
29	AD[19]	+5V	30
31	V (I/O)	AD[17]	32
33	FRAME#	GND	34
35	GND	IRDY#	36
37	DEVSEL#	+5V	38
39	GND	LOCK#	40
41	SDONE#	SBO#	42
43	PAR	GND	44
45	V (I/O)	AD[15]	46
47	AD[12]	AD[11]	48
49	AD[09]	+5V	50
51	GND	C/BE[0]#	52
53	AD[06]	AD[05]	54
55	AD[04]	GND	56
57	V (I/O)	AD[03]	58
59	AD[02]	AD[01]	60
61	AD[00]	+5V	62
63	GND	REQ64#	64

Table 3-4. PCI 32-bit Interface Connector P12/J12, P22/J22

Pin#	Signal Name	Signal Name	Pin #
1	+12V	TRST#	2
3	TMS	TDO	4
5	TDI	GND	6
7	GND	PCI-RSVD*	8
9	PCI-RSVD*	PCI-RSVD*	10
11	BUSMODE2#	+3.3V	12
13	RST#	BUSMODE3#	14
15	+3.3V	BUSMODE4#	16
17	PCI-RSVD*	GND	18
19	AD[30]	AD[29]	20
21	GND	AD[26]	22
23	AD[24]	+3.3V	24
25	IDSEL	AD[23]	26
27	+3.3V	AD[20]	28
29	AD[18]	GND	30
31	AD[16]	C/BE[2]#	32
33	GND	PMC-RSVD	34
35	TRDY#	+3.3V	36
37	GND	STOP#	38
39	PERR#	GND	40
41	+3.3V	SERR#	42
43	C/BE[1]#	GND	44
45	AD[14]	AD[13]	46
47	GND	AD[10]	48
49	AD[08]	+3.3V	50

Table 3-4. PCI 32-bit Interface Connector P12/J12, P22/J22 (continued)

Pin#	Signal Name	Signal Name	Pin #
51	AD[07]	PMC-RSVD	52
53	+3.3V	PMC-RSVD	54
55	PMC-RSVD	GND	56
57	PMC-RSVD	PMC-RSVD	58
59	GND	PMC-RSVD	60
61	ACK64#	+3.3V	62
63	GND	PMC-RSVD	64

Table 3-5. PCI 64 bit PCI extension on PMC Connector J13, J23

Pin#	Signal Name	Signal Name	Pin #
1	-	GND	2
3	GND	C/BE7#	4
5	C/BE6#	C/BE5#	6
7	C/BE4#	GND	8
9	V(I/O)	PAR64	10
11	AD63	AD62	12
13	AD61	GND	14
15	GND	AD60	16
17	AD59	AD58	18
19	AD57	GND	20
21	V(I/O)	AD56	22
23	AD55	AD54	24
25	AD53	GND	26
27	GND	AD52	28
29	AD51	AD50	30

Table 3-5. PCI 64 bit PCI extension on PMC Connector J13, J23

Pin#	Signal Name	Signal Name	Pin #
31	AD49	GND	32
33	GND	AD48	34
35	AD47	AD46	36
37	AD45	GND	38
39	V(I/O)	AD44	40
41	AD43	AD42	42
43	AD41	GND	44
45	GND	AD40	46
47	AD39	AD38	48
49	AD37	GND	50
51	GND	AD36	52
53	AD35	AD34	54
55	AD33	GND	56
57	V(I/O)	AD32	58
59	-	-	60
61	-	GND	62
63	GND	-	64

Table 3-6. User-Defined I/O PCI Interface Connector P14/J14, P24/J24

Pin#	Signal Name
1-64	I/O

Overview

This chapter provides reference information for the PMC module supported in the CPX8216 system.

SCSI-2 Controller PMC

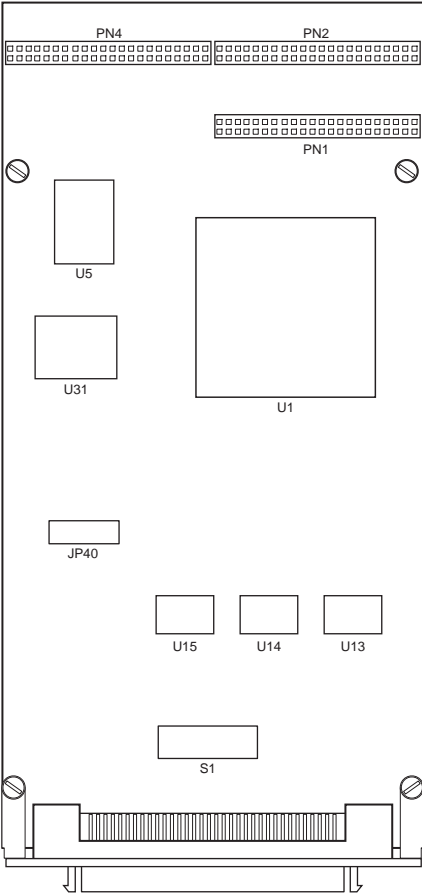
The SCSI-2 controller provides fast and wide, single-ended, SCSI-2 (Small Computer System Interface-2) high throughput connectivity for host carrier boards equipped with PMC (PCI Mezzanine Card) connections.

The PMC adapter is a plug-and-play device with systems that are compliant with the PCI Local Bus Specification (revision 2.0).

This controller has the following capabilities:

- Single-wide PMC module
- 32-bit wide PCI bus support
- 128Kb onboard flash memory
- 20 Mbps Fast and Wide SCSI-2
- Single-ended SCSI-2 interfaces
- Front and rear User I/O
- 68-pin front panel connector
- 64-pin JN4/PN4 rear connector
- +3.3V and +5V signaling
- Compliance to PCI local bus specification (Revision 2.0)

The following figure shows the PMC150 component layout and front panel.



4118 0702

Switch Settings

Use this table as a guideline for configuring the 6-position dip switch on your PMC.

Table 4-1. PMC Switch Settings

Switch	On Function	Off Function	Default
1	Use INTA	No Use INTA	On
2	Use INTB	No Use INTB	Off
3	Use INTC	No Use INTC	Off
4	Use INTD	No Use INTD	Off
5	TERM Enable	TERM Disable	On
6	Little Endian	Big Endian	On

Configure the Big/Little endian mode to your appropriate application for proper software operation.

Make sure only one INTx line switch is in the ON position.

Enable TERM ENAB is On only if this SCSI controller is physically at the end of the SCSI bus. If the SCSI controller is in any other position on the bus, TERM ENAB must be in the OFF mode.

Terminators - The SCSI bus (cable) must be properly terminated at each end of the bus. The first and last device on the bus should be the only devices that are set to terminate the bus.

Terminator Power - The SCSI terminators require adequate voltage to properly terminate the SCSI bus. All SCSI host adapters on the bus should be set to supply terminator power; and where possible, be located at the end of the bus and serve as bus terminators. The terminator resistors must be present on the first and last device on the bus only.

For further information on this PMC, visit the [Technobox, Inc.](http://www.technobox.com) web site at <http://www.technobox.com>.

Connector Pin Assignments

The table below provides the connector pin assignments for the SCSI connector on the PMC adapter. The connector uses a 68-pin Euro-style SCSI cable, either shielded for external or internal cabinet applications or non-shielded for internal cabinet applications only. For rear I/O, a 64-pin conductor cable is used. The pin assignments are also provided in the following table.

Table 4-2. PMC Pin Assignments

Signal name	68-Pin Connector Number	64-Pin Conductor Cable Number		68-Pin Connector Number	Signal name
Ground	1	1	2	35	-DB(12)
Ground	2	3	4	36	-DB(13)
Ground	3	5	6	37	-DB(14)
Ground	4	7	8	38	-DB(15)
Ground	5	9	10	39	-DB(P1)
Ground	6	11	12	40	-DB(0)
Ground	7	13	14	41	-DB(1)
Ground	8	15	16	42	-DB(2)
Ground	9	17	18	43	-DB(3)
Ground	10	19	20	44	-DB(4)
Ground	11	21	22	45	-DB(5)
Ground	12	23	24	46	-DB(6)
Ground	13	25	26	47	-DB(7)
Ground	14	27	28	48	-DB(P)
Ground	15	29	30	49	Ground
Ground	16	31	32	50	Ground
TERMPWR	17	33	34	51	TERMPWR
TERMPWR	18	N/C	N/C	52	TERMPWR
Reserved	19	N/C	N/C	53	Reserved
Ground	20	35	36	54	Ground
Ground	21	37	38	55	-ATN
Ground	22	39	40	56	Ground
Ground	23	41	42	57	-BSY

Table 4-2. PMC Pin Assignments (continued)

Signal name	68-Pin Connector Number	64-Pin Conductor Cable Number		68-Pin Connector Number	Signal name
Ground	24	43	44	58	-ACK
Ground	25	45	46	59	-RST
Ground	26	47	48	60	-MSG
Ground	27	49	50	61	-SEL
Ground	28	51	52	62	-C/D
Ground	29	53	54	63	-REQ
Ground	30	55	56	64	-I/O
Ground	31	57	58	65	-DB(8)
Ground	32	59	60	66	-DB(9)
Ground	33	61	62	67	-DB(10)
Ground	34	63	64	68	-DB(11)

Overview

This chapter provides reference information for the various transition and bridge modules supported in the CPX8216 system.

The correct jumper setting and pin-out information is provided for each module.

Note The CPX750HATM is also used with the MCP750HA in some chassis configurations.

Your system may not contain all boards listed in this chapter, or it may contain third-party boards that are not listed in this chapter. For information about third-party boards, refer to the board manufacturer's documentation.

The following table lists the modules covered in this chapter:

Table 5-1. System Components

Topic:	Page:
<i>CPX750HATM Transition Module</i>	5-1
<i>CPV5350TM80 Transition Module</i>	5-29

CPX750HATM Transition Module

The CPX750HATM transition module provides the interface between the standard Parallel Port, EIDE port, floppy port, keyboard/mouse port, Serial Port connectors, and the CPX750HA CompactPCI Single Board Computer module.

The CPX750HATM transition module includes:

- ❑ Industry-standard connectors for these interfaces:
 - Two asynchronous RJ-45 serial ports (DTE)
 - Two asynchronous/synchronous HD-26 serial ports, labeled Serial 3 and Serial 4 on the face plate, which can be configured for EIA-232-D, EIA-530, V.35, or X.21 interfaces (DCE or DTE) through the installation of Motorola's Serial Interface Modules (SIMs)
 - One parallel port (IEEE Standard 1284-I compliant)
 - One combination keyboard/mouse port
- ❑ Two 60-pin Serial Interface Module (SIM) connectors for configuring the asynchronous/synchronous serial ports
- ❑ One 40-pin header for EIDE port
- ❑ One 34-pin header for floppy port
- ❑ Two 64-pin headers for PMCIO (1 ground pin provided with each PMCIO signal)

[Figure 5-1 on page 5-3](#) shows the CPX750HATM transition module component layout and the front panel. See [Connectors on page 5-4](#) for a list of the front panel port connectors.

Serial Ports 3 and 4 Default Configuration

The CPX750HATM serial ports 3 and 4 are factory configured as follows:

- ❑ Serial Port 3: DTE (with SIMM 01-W3877B01A installed)
- ❑ Serial Port 4: DCE (with SIMM 01-W3876B01A installed)

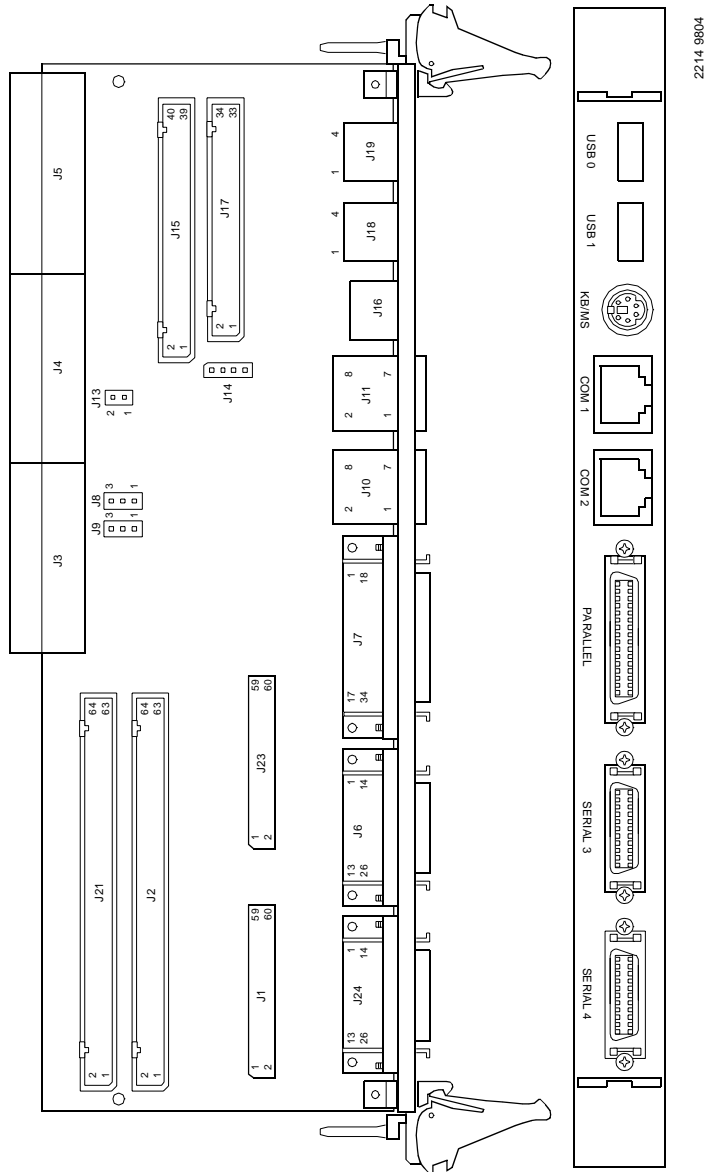
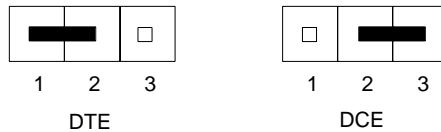


Figure 5-1. CPX750HATM Transition Module

Serial Port Interface Jumper (J8 and J9)

J8 (for serial port 3) and J9 (for serial port 4) set the serial ports to either DTE or DCE communication. For more information about configuring the serial port, see [Installing the Serial Interface Modules on page 5-16](#).



11650 9610

Figure 5-2. Serial Port Interface Jumper (J9) Settings

Connectors

Refer to [Figure 5-1 on page 5-3](#) for the location of the following connectors

Backplane Connectors (J3/J4/J5)

I/O signals and power are provided to the CPX750HATM from the CPX750 through CompactPCI connectors J3 and J5. The J4 connector is for physical alignment purposes only and has no functional pin connections or assignments.

Connector J3 is a 95-pin AMP Z-pack 2mm hard metric type B connector. This connector routes the I/O signals for the PMC I/O and serial channels. The pin assignments for J3 are as follows (outer row F is assigned and used as ground pins but is not shown in the table):

Connector J4 is a 110-pin 2mm hard metric type A connector. This connector is placed on the board for alignment purposes only. The keying tabs on the type A connector assist with alignment of pins in the backplane connector during insertion of the boards. No signals are connected to J4 except the row F ground pins.

Connector J5 is a 110-pin AMP Z-pack 2mm hard metric type B connector. This connector routes the I/O signals for the IDE (secondary port), the keyboard, the mouse, the two USB ports, and the printer ports. The pin

assignments for J5 are as follows (the outer row F is assigned and used as ground pins but is not shown in the table):

Table 5-2 and Table 5-3 provide the pin assignments and signal mnemonics for connectors J3 and J5 (J4 is not shown)

Table 5-2. J3 User I/O Connector

	ROW A	ROW B	ROW C	ROW D	ROW E	
19	Reserved	+12V	-12V	RXD3	RXD4	19
18	Reserved	GND	RXC3	GND	RXC4	18
17	Reserved	MXCLK	MXDI	MXSYNC_L	MXDO	17
16	Reserved	GND	TXC3	GND	TXC4	16
15	Reserved	Reserved	Reserved	TXD3	TXD4	15
14	+3.3V	+3.3V	+3.3V	+5V	+5V	14
13	PMCIO5	PMCIO4	PMCIO3	PMCIO2	PMCIO1	13
12	PMCIO10	PMCIO9	PMCIO8	PMCIO7	PMCIO6	12
11	PMCIO15	PMCIO14	PMCIO13	PMCIO12	PMCIO11	11
10	PMCIO20	PMCIO19	PMCIO18	PMCIO17	PMCIO16	10
9	PMCIO25	PMCIO24	PMCIO23	PMCIO22	PMCIO21	9
8	PMCIO30	PMCIO29	PMCIO28	PMCIO27	PMCIO26	8
7	PMCIO35	PMCIO34	PMCIO33	PMCIO32	PMCIO31	7
6	PMCIO40	PMCIO39	PMCIO38	PMCIO37	PMCIO36	6
5	PMCIO45	PMCIO44	PMCIO43	PMCIO42	PMCIO41	5
4	PMCIO50	PMCIO49	PMCIO48	PMCIO47	PMCIO46	4
3	PMCIO55	PMCIO54	PMCIO53	PMCIO52	PMCIO51	3
2	PMCIO60	PMCIO59	PMCIO58	PMCIO57	PMCIO56	2
1	VIO	PMCIO64	PMCIO63	PMCIO62	PMCIO61	1

Row F is assigned and used as ground pins but is not shown in the table

Table 5-3. J5 User I/O Connector

	ROW A	ROW B	ROW C	ROW D	ROW E	
22	Reserved	GND	Reserved	+5V	SPKROC_L	22
21	KBDDAT	KBDCLK	KBAUXVCC	AUXDAT	AUXCLK	21
20	Reserved	Reserved	Reserved	GND	Reserved	20
19	STB_L	GND	UVCC0	Reserved	Reserved	19
18	AFD_L	Reserved	Reserved	GND	UVCC1	18
17	PD2	INIT_L	PD1	ERR_L	PD0	17
16	PD6	PD5	PD4	PD3	SLIN_L	16
15	SLCT	PE	BUSY	ACK_L	PD7	15
14	RTSa	CTSa	RIa	GND	DTRa	14
13	DCDa	+5V	RXDa	DSRa	TXDa	13
12	RTSb	CTSb	RIb	+5V	DTRb	12
11	DCDb	GND	RXDb	DSRb	TXDb	11
10	TR0_L	WPROT_L	RDATA_L	HDSEL_L	DSKCHG_L	10
9	MTR1_L	DIR_L	STEP_L	WDATA_L	WGATE_L	9
8	Reserved	INDEX_L	MTR0_L	DS1_L	DS0_L	8
7	CS1FX_L	CS3FX_L	DA1	Reserved	Reserved	7
6	Reserved	GND	Reserved	DA0	DA2	6
5	DMARQ	IORDY	DIOW_L	DMACK_L	DIOR_L	5
4	DD14	DD0	GND	DD15	INTRQ	4
3	DD3	DD12	DD2	DD13	DD1	3
2	DD9	DD5	DD10	DD4	DD11	2
1	RESET_L	DRESET_L	DD7	DD8	DD6	1

Row F is assigned and used as ground pins but is not shown in the table

Asynchronous Serial Port Connectors (J10 and J11)

The interface for the asynchronous serial ports, COM1 and COM2, is provided with two RJ-45 connectors, J11 and J10. The connector shields

for these ports are tied to chassis ground. The pin assignments and signal mnemonics for these connectors are listed in the next table.

Table 5-4. COM1 (J11) and COM2 (J10)

Pin	Signal
1	DCD
2	RTS
3	GND
4	TXD
5	RXD
6	GND
7	CTS
8	DTR

Asynchronous/Synchronous Serial Port Connectors (J6 and J24)

The interface for the asynchronous/synchronous serial ports 3 and 4 is provided by two HD-26 connectors, J6 and J24. The connector shields for these ports are tied to chassis ground.

The pin assignments and signal mnemonics for Serial Port 3 are listed in [Table 5-5](#), and the pin assignments and signal mnemonics for Serial Port 4 are listed in [Table 5-6](#).

Table 5-5. Serial Port 3 (J6)

Pin	Signal	Signal	Pin
1	No Connect	SP3_P14	14
2	TXD3	TXCI3	15
3	RXD3	SP3_P16	16
4	RTS3	RXCI3	17
5	CTS3	LLB3	18

Table 5-5. Serial Port 3 (J6) (continued)

Pin	Signal	Signal	Pin
6	DSR3	SP3_P19	19
7	GND	DTR3	20
8	DCD3	RLB3	21
9	SP3_P9	RI3	22
10	SP3_P10	SP3_P23	23
11	SP3_P11	TXCO3	24
12	SP3_P12	TM3	25
13	SP3_P13	SP3_P26	26

Table 5-6. Serial Port 4 (J24)

Pin	Signal	Signal	Pin
1	No Connect	SP4_P14	14
2	TXD4	TXCI4	15
3	RXD4	SP4_P16	16
4	RTS4	RXCI4	17
5	CTS4	LLB4	18
6	DSR4	SP4_P19	19
7	GND	DTR4	20
8	DCD4	RLB4	21
9	SP4_P9	RI4	22
10	SP4_P10	SP4_P23	23
11	SP4_P11	TXCO4	24
12	SP4_P12	TM4	25
13	SP4_P13	SP4_P26	26

Parallel I/O Port Connector (J7)

The interface for the parallel port is a standard IEEE P1284-C, 36-pin connector, J7. The functionality of each signal depends on the mode of operation of this bidirectional Parallel Peripheral Interface. Refer to the IEEE P1284 D2.00 Standard for a complete description of each signal function. The connector shield is tied to chassis ground.

The pin assignments and signal mnemonics for this connector are listed in the next table.

5

Table 5-7. Parallel I/O Connector (J7)

Pin	Signal	Signal	Pin
1	PRBSY	GND	19
2	PRSEL	GND	20
3	PRACK_	GND	21
4	PRFAULT_	GND	22
5	PRPE	GND	23
6	PRD0	GND	24
7	PRD1	GND	25
8	PRD2	GND	26
9	PRD3	GND	27
10	PRD4	GND	28
11	PRD5	GND	29
12	PRD6	GND	30
13	PRD7	GND	31
14	PRINIT_	GND	32
15	PRSTB_	GND	33
16	SELIN_	GND	34
17	AUTOFD_	GND	35
18	Pull-up	No Connect	36

Keyboard/Mouse Connector (J16)

The Keyboard/Mouse interface is provided by a 6-pin circular DIN connector. To use the keyboard function only, a keyboard may be connected directly to this connector. To use both the keyboard and the mouse functions, use the Y-adapter cable provided with the CPX750HATM. Refer to the following table for pin assignments.

Table 5-8. Keyboard/Mouse Connector (J16)

Pin	Signal
1	KBD DAT
2	MSDAT
3	GND
4	+5Vdc Fused
5	KBDCLK
6	MSCLK

USB Connectors (J19 and J18)

The standard version of the CPX750 routes the USB port signals only to the CPX750 front panel USB connectors J18 and J17. Therefore the USB port connectors (J19 and J18) on the CPX750HATM are not active. The USB ports can be routed to the CPX750HATM using an alternate build option of the CPX750. Contact your local Motorola Sales office for details.

EIDE Connector (J15)

The CPX750HATM provides a 40-pin header (J15) to interface to the CPX750 secondary EIDE port. The pin assignments and signal mnemonics for this connector are listed in the next table.

Table 5-9. EIDE Connector (J15)

Pin	Signal	Signal	Pin
1	DRESET_L	GND	2
3	DD7	DD8	4
5	DD6	DD9	6
7	DD5	DD10	8
9	DD4	DD11	10
11	DD3	DD12	12
13	DD2	DD13	14
15	DD1	DD14	16
17	DD0	DD15	18
19	GND	No Connect	20
21	DMARQ	GND	22
23	DIOW_L	GND	24
25	DIOR_L	GND	26
27	IORDY	No Connect	28
29	DMACK_L	GND	30
31	INTRQ	No Connect	32
33	DA1	No Connect	34
35	DA0	DA2	36
37	CS1FX_L	CS3FX_L	38
39	No Connect	GND	40

Floppy Port Connector (J17)

The CPX750HATM provides a 34-pin header (J17) to interface to a floppy disk drive. The pin assignments and signal mnemonics for this connector are listed in the next table.

Table 5-10. Floppy Connector (J17)

Pin	Signal	Signal	Pin
1	GND	No Connect	2
3	GND	No Connect	4
5	GND	No Connect	6
7	No Connect	INDEX_L	8
9	GND	MTR0_L	10
11	GND	DS1_L	12
13	No Connect	DS0_L	14
15	GND	MTR1_L	16
17	No Connect	DIR_L	18
19	GND	STEP_L	20
21	GND	WDATA_L	22
23	GND	WGATE_L	24
25	GND	TR0_L	26
27	GND	WPROT_L	28
29	GND	RDATA_L	30
31	GND	HDSEL_L	32
33	GND	DSKCHG_L	34

+5Vdc Power Connector (J14)

The CPX750HATM has a 4-pin header that can be used to provide +5Vdc power to offboard devices. This power is derived from the fused +5Vdc power on the CPX750. Any external device powered from this connector

must not draw more than 200mA. The pin assignments are listed in the following table.

Table 5-11. +5Vdc Power Connector (J14)

Pin	Signal
1	+5Vdc
2	GND
3	GND
4	No Connect

Speaker Output Connector (J13)

The 2-pin header (J13) provides connection to an external speaker from the CPX750 PCB Counter 2 output. The speaker driver, located on the CPX750 PCB, consists of a 500 mA (max) current sink transistor in series with a 33 ohm resistor. The pin assignments are listed in the following table.

Table 5-12. Speaker Output Connector (J13)

Pin	Signal
1	GND
2	SPKROC_L

PMC I/O Connectors

The PMC I/O connectors consist of two 64-pin header connectors J2 and J21. The pin assignments and signal mnemonics for these connectors are listed below.

Table 5-13. PMC I/O Connector (J2)

Pin	Signal	Signal	Pin
1	GND	PMCIO1	2
3	GND	PMCIO2	4
5	GND	PMCIO3	6
7	GND	PMCIO4	8
9	GND	PMCIO5	10
11	GND	PMCIO6	12
13	GND	PMCIO7	14
15	GND	PMCIO8	16
17	GND	PMCIO9	18
19	GND	PMCIO10	20
21	GND	PMCIO11	22
23	GND	PMCIO12	24
25	GND	PMCIO13	26
27	GND	PMCIO14	28
29	GND	PMCIO15	30
31	GND	PMCIO16	32
33	GND	PMCIO17	34
35	GND	PMCIO18	36
37	GND	PMCIO19	38
39	GND	PMCIO20	40
41	GND	PMCIO21	42

Table 5-13. PMC I/O Connector (J2) (continued)

Pin	Signal	Signal	Pin
43	GND	PMCIO22	44
45	GND	PMCIO23	46
47	GND	PMCIO24	48
49	GND	PMCIO25	50
51	GND	PMCIO26	52
53	GND	PMCIO27	54
55	GND	PMCIO28	56
57	GND	PMCIO29	58
59	GND	PMCIO30	60
61	GND	PMCIO31	62
63	GND	PMCIO32	64

5

Table 5-14. PMC I/O Connector (J21)

Pin	Signal	Signal	Pin
1	GND	PMCIO33	2
3	GND	PMCIO34	4
5	GND	PMCIO35	6
7	GND	PMCIO36	8
9	GND	PMCIO37	10
11	GND	PMCIO38	12
13	GND	PMCIO39	14
15	GND	PMCIO40	16
17	GND	PMCIO41	18
19	GND	PMCIO42	20
21	GND	PMCIO43	22

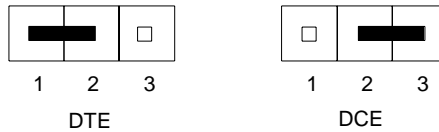
Table 5-14. PMC I/O Connector (J21) (continued)

Pin	Signal	Signal	Pin
23	GND	PMCIO44	24
25	GND	PMCIO45	26
27	GND	PMCIO46	28
29	GND	PMCIO47	30
31	GND	PMCIO48	32
33	GND	PMCIO49	34
35	GND	PMCIO50	36
37	GND	PMCIO51	38
39	GND	PMCIO52	40
41	GND	PMCIO53	42
43	GND	PMCIO54	44
45	GND	PMCIO55	46
47	GND	PMCIO56	48
49	GND	PMCIO57	50
51	GND	PMCIO58	52
53	GND	PMCIO59	54
55	GND	PMCIO60	56
57	GND	PMCIO61	58
59	GND	PMCIO62	60
61	GND	PMCIO63	62
63	GND	PMCIO64	64

Installing the Serial Interface Modules

Configure the serial ports 3 and 4 for the required interface by installing the appropriate SIM.

Prior to installing the SIMs, set the jumpers on header J8 (for Serial Port 3) and header J9 (for Serial Port 4) for either DCE or DTE. Set the jumper to position 1-2 if the SIM is for a DTE interface. Set the jumper to position 2-3 if the SIM is for a DCE interface.

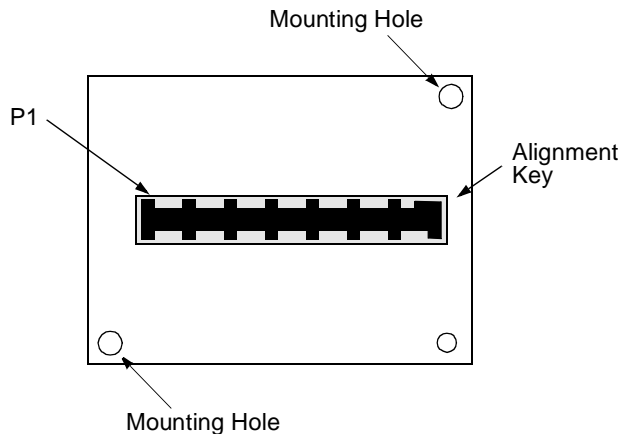


You must set the jumpers and install the SIMs prior to installing the CPX750HATM transition module in the system chassis.

The SIMs plug into connector J23 (for Serial Port 3) or J1 (for Serial Port 4) on the CPX750HATM transition module.

Install the SIMs on the CPX750HATM transition module per the following procedure:

1. Align the SIM so that P1 on the SIM lines up with the appropriate SIM connector (J23 for Serial Port 3 or J1 for Serial Port 4) on the transition module. Note the position of the alignment key on P1. See the next figure.
2. Place the SIM onto the transition module SIM connector, making sure that the mounting holes also line up with the standoffs on the transition module.



11637 9610

3. Gently press the top of the SIM to seat it on the transition module SIM connector. If the SIM does not seat with gentle pressure, re-check the alignment of the connectors.

Note Do not force the SIM onto the transition module.

4. Secure the SIM to the transition module standoffs with the two Phillips-head screws provided. Do not over tighten the screws.

5

Port Configuration Diagrams

The following sections describe the configurations for COM1 and COM2 asynchronous serial ports.

COM1 and COM2 Asynchronous Serial Ports

The asynchronous serial port (COM1 and COM2) configuration is shown in [Figure 5-3 on page 5-19](#).

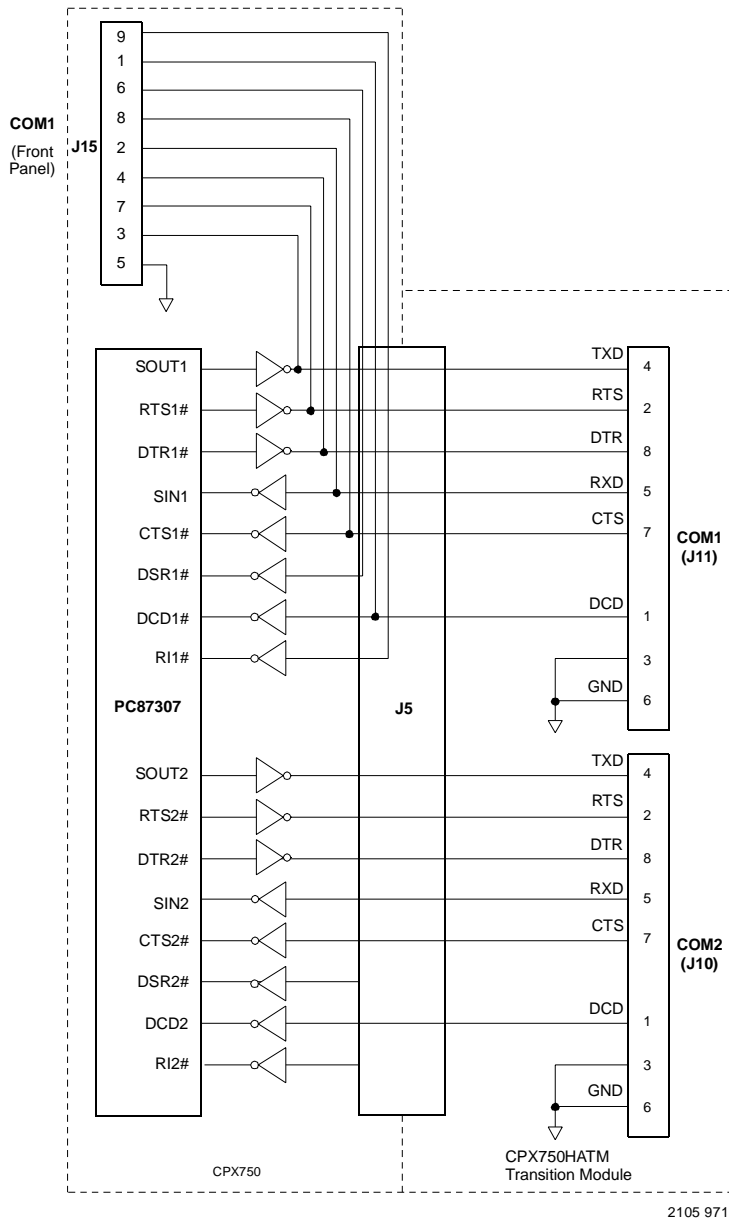
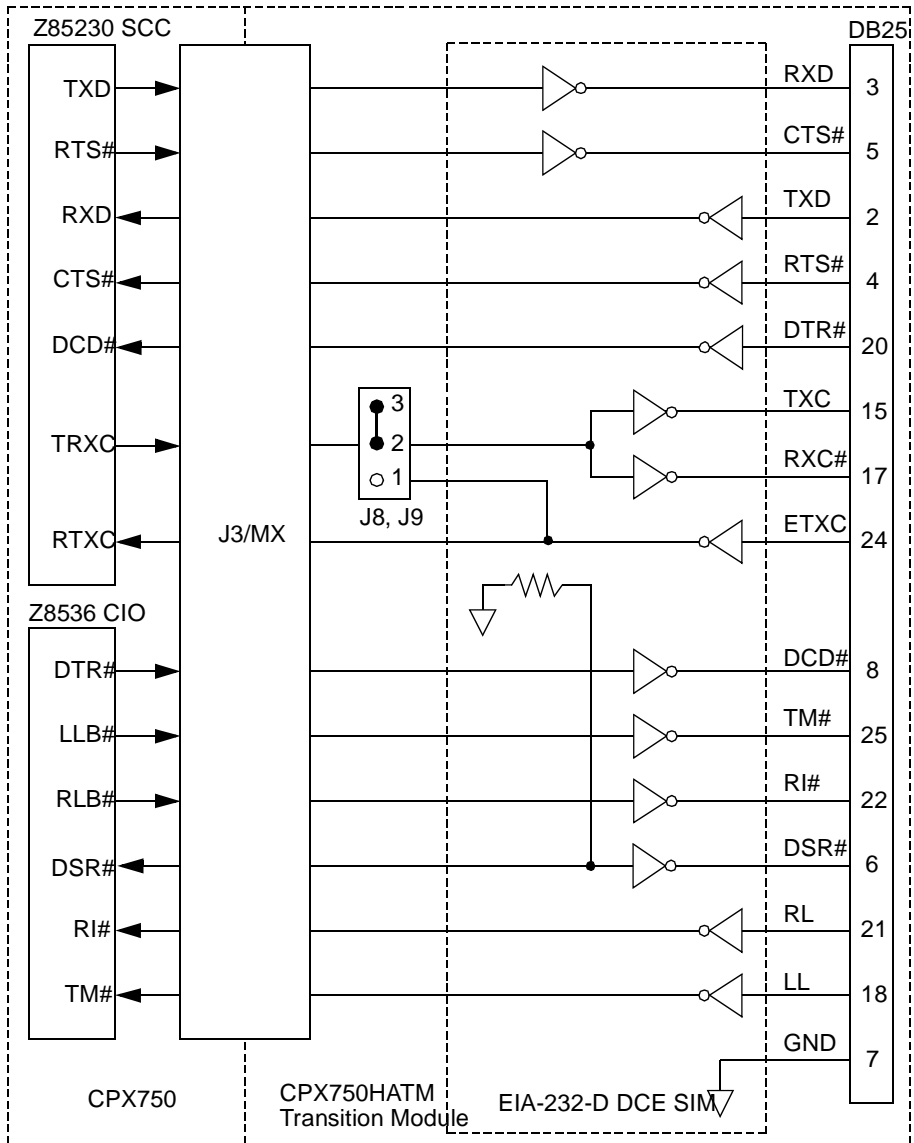


Figure 5-3. DTE Port Configuration (COM1 and COM2)

Asynchronous/Synchronous Serial Ports

The asynchronous/synchronous serial port (Port 3 and Port 4) interface configuration diagrams are on the following pages.



2106 971

Figure 5-4. EIA-232-D DCE Port Configuration (Ports 3 and 4)

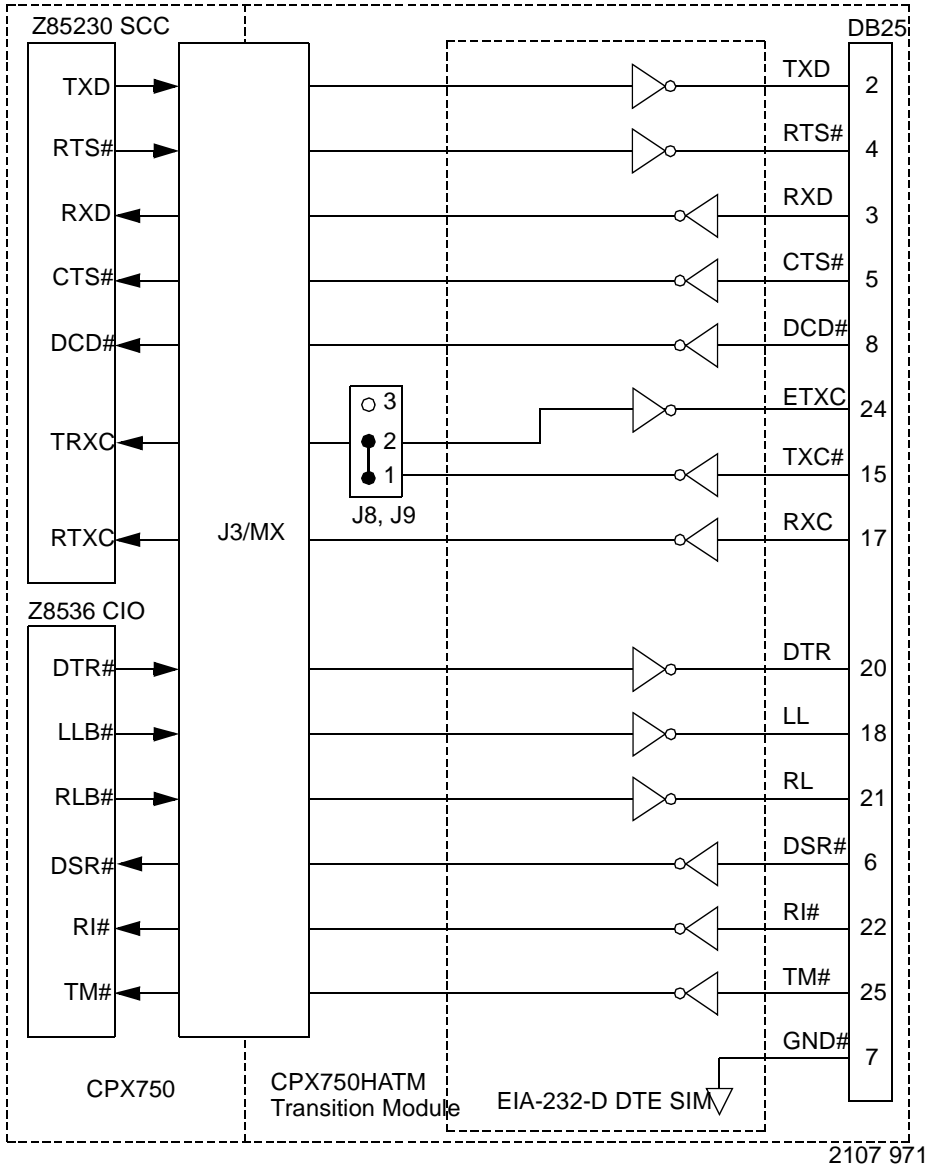


Figure 5-5. EIA-232-D DTE Port Configuration (Ports 3 and 4)

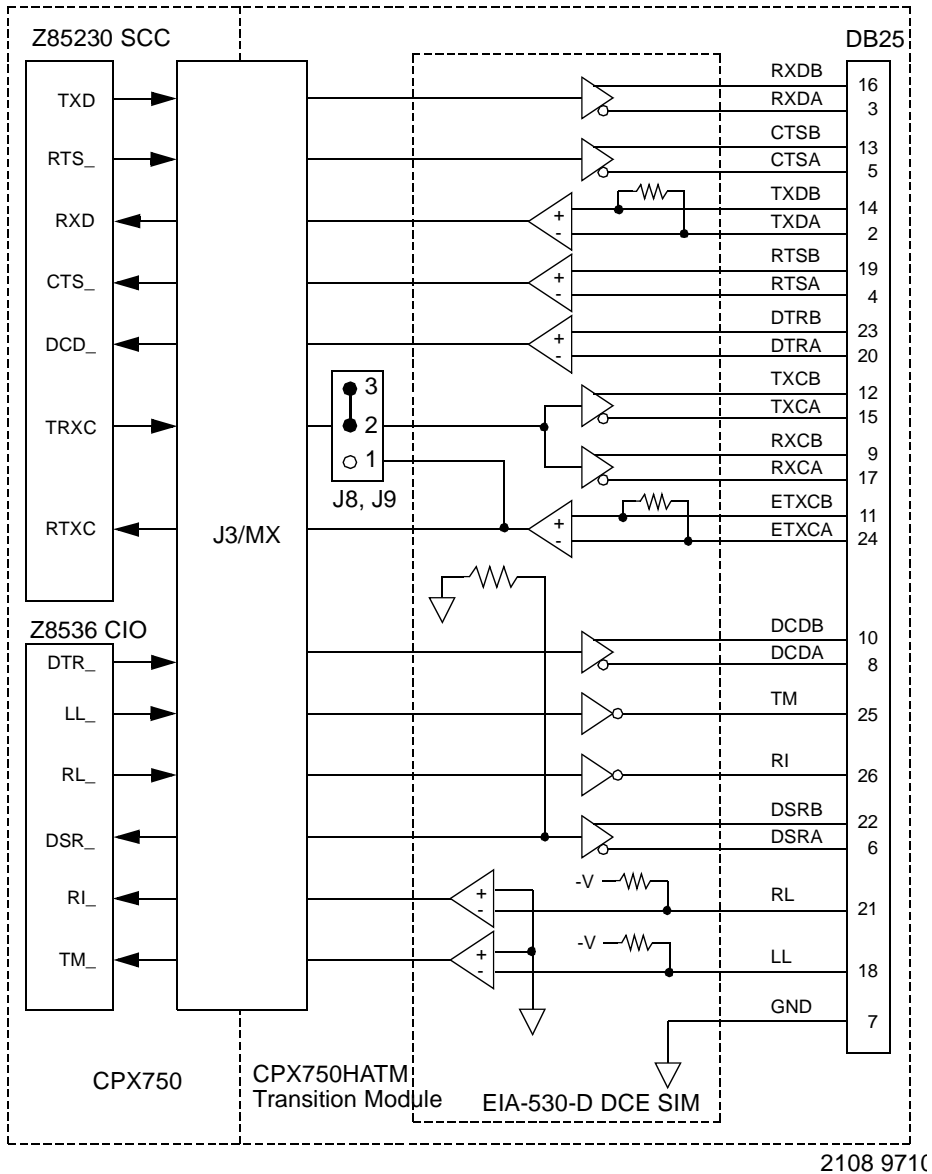


Figure 5-6. EIA-530 DCE Port Configuration (Ports 3 and 4)

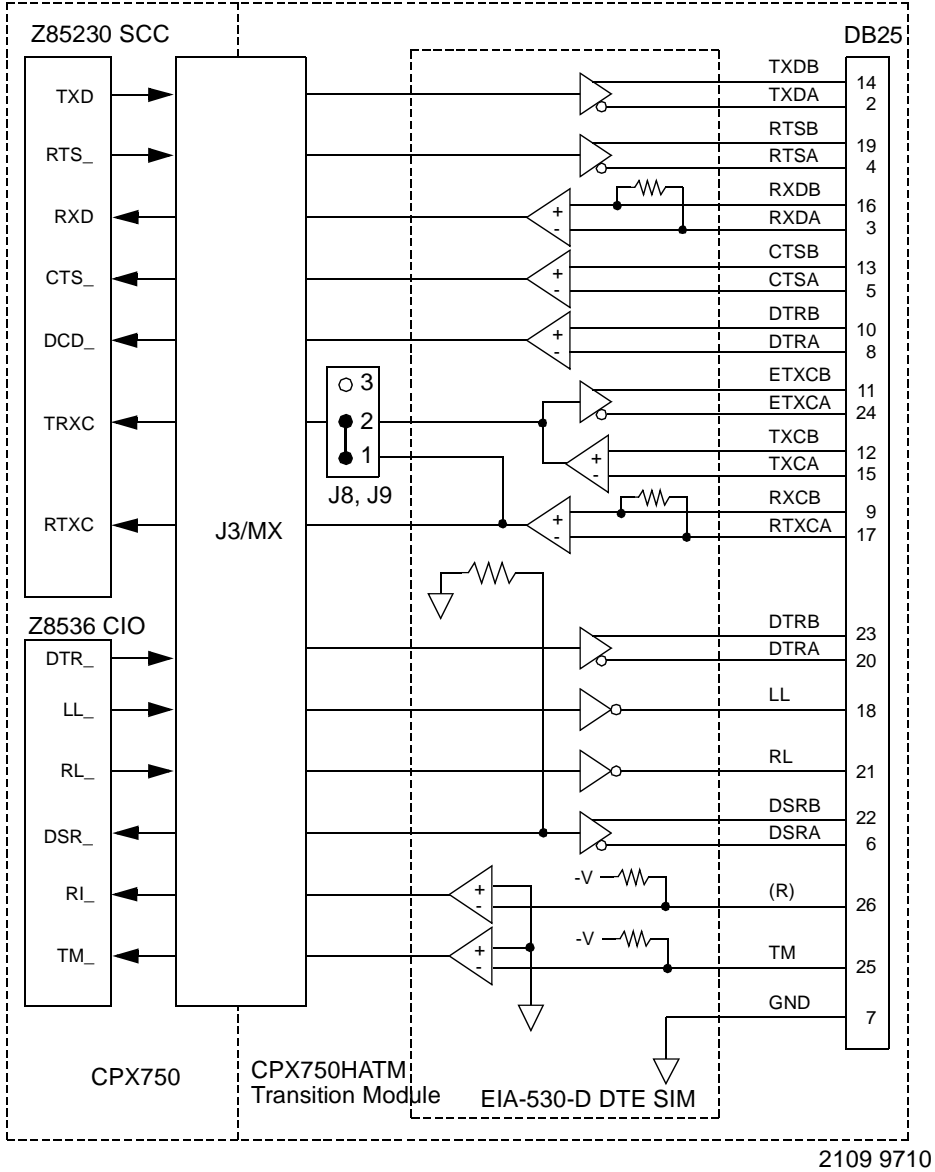


Figure 5-7. EIA-530 DTE Port Configuration (Ports 3 and 4)

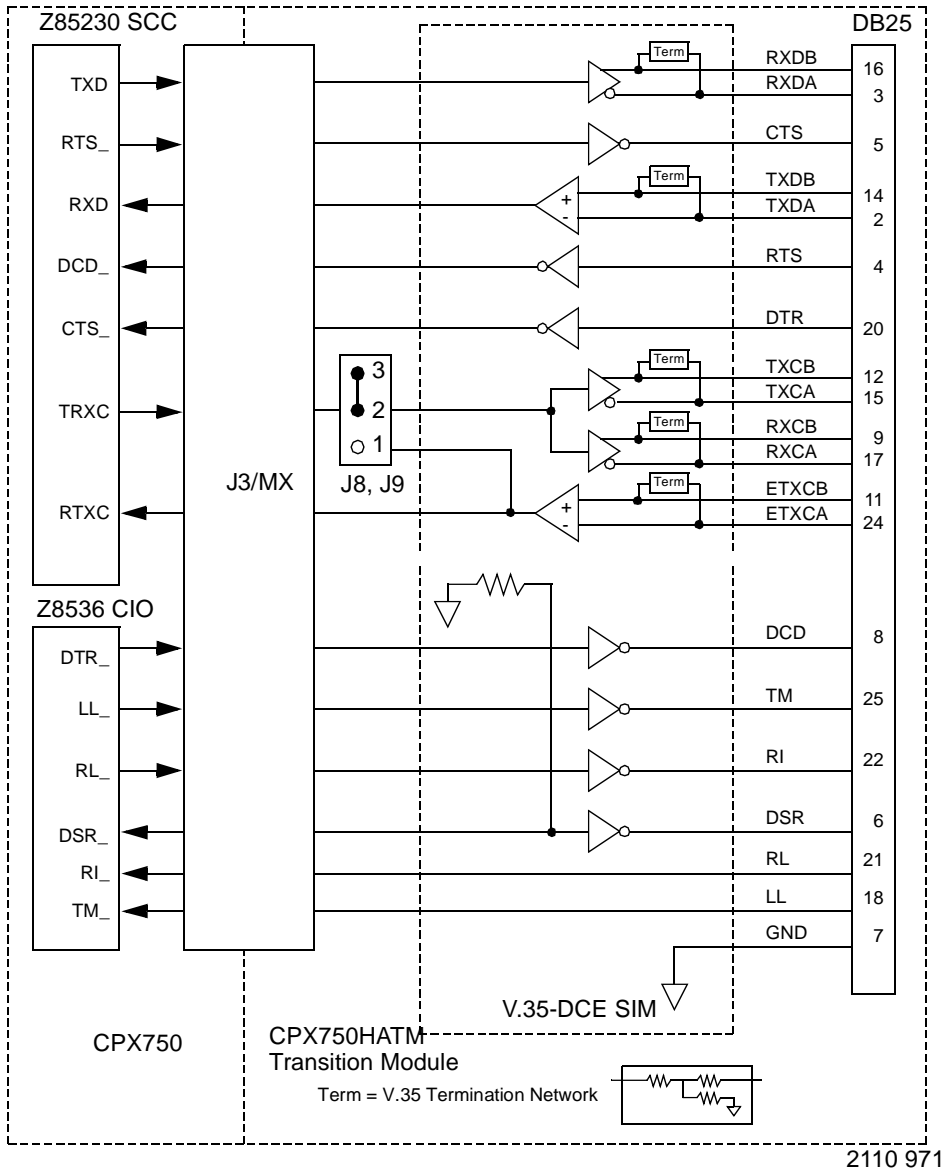


Figure 5-8. V.35-DCE Port Configuration (Ports 3 and 4)

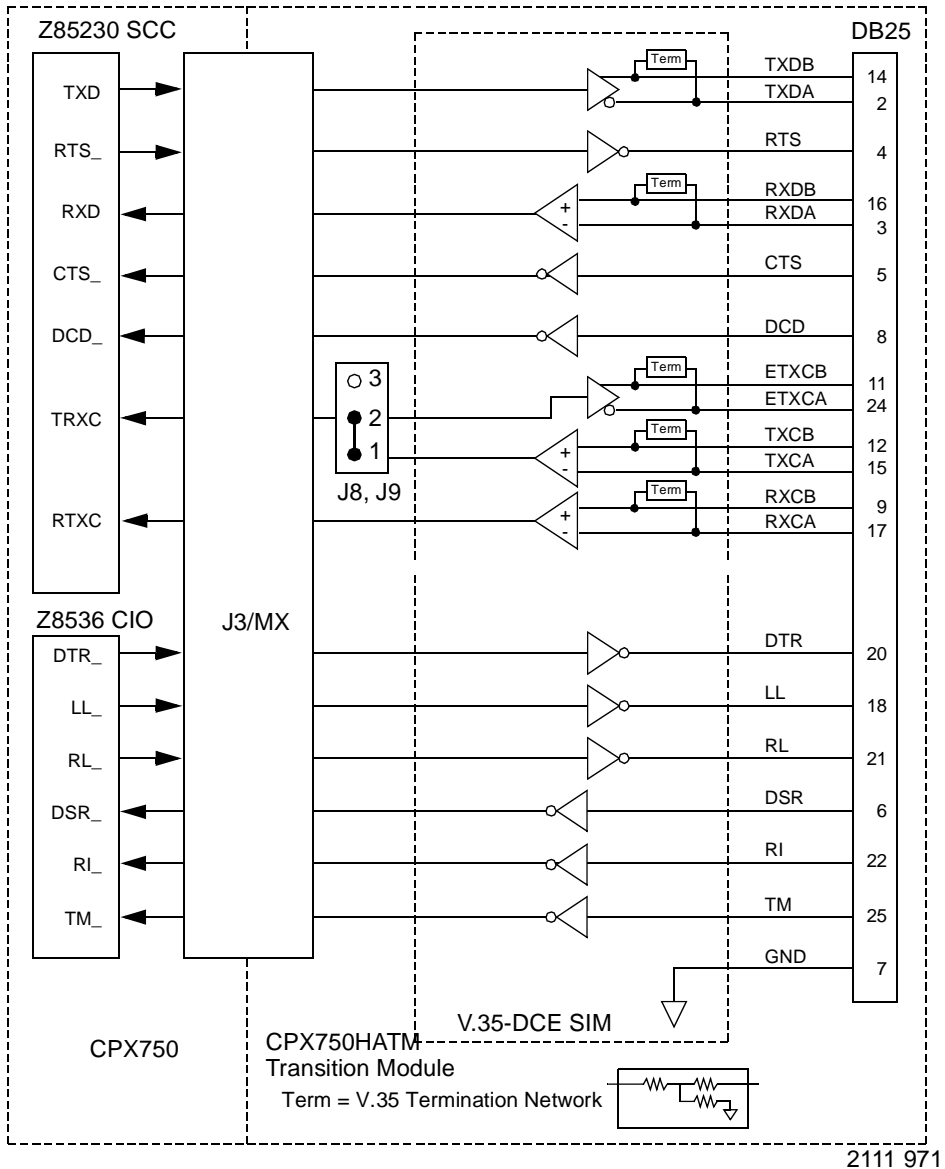
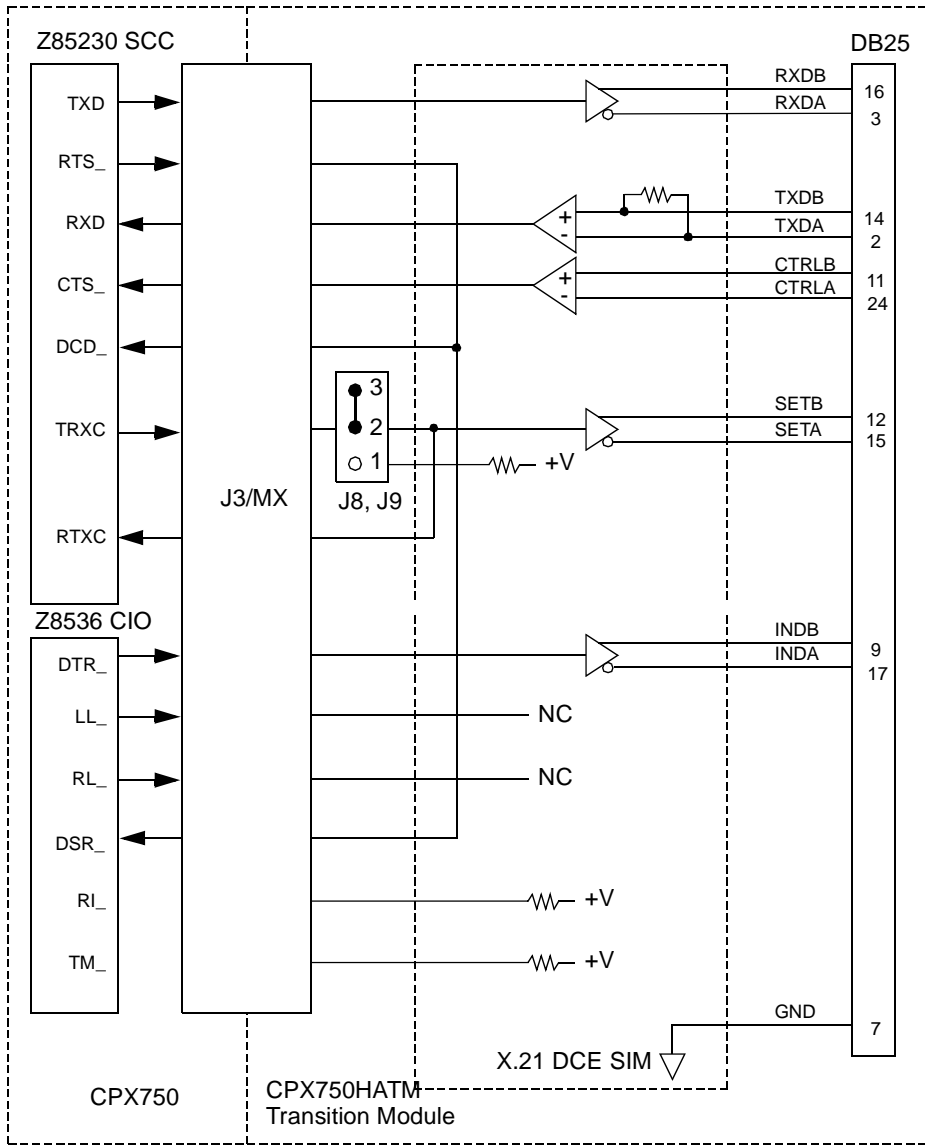


Figure 5-9. V.35-DTE Port Configuration (Ports 3 and 4)



2112 971

Figure 5-10. X.21-DCE Port Configuration (Ports 3 and 4)

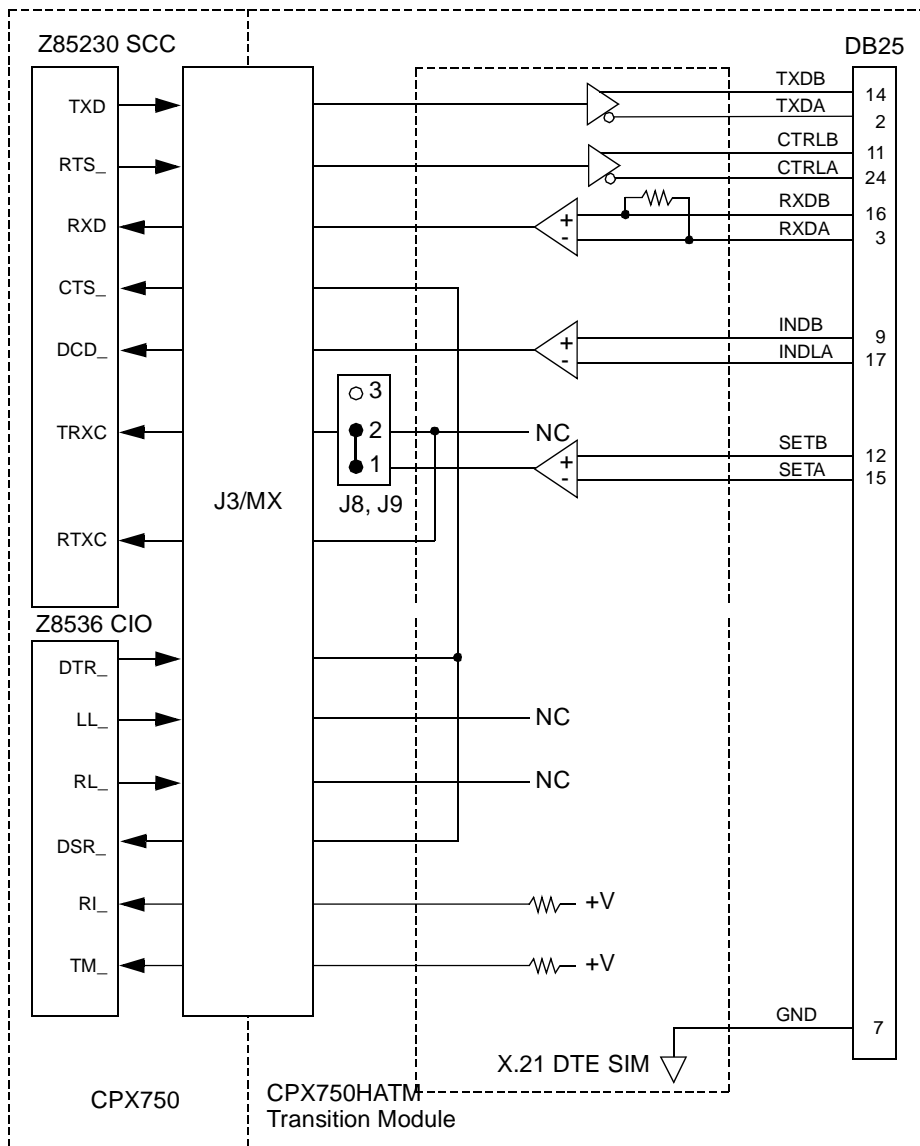


Figure 5-11. X.21-DTE Port Configuration (Ports 3 and 4)

CPV5350TM80 Transition Module

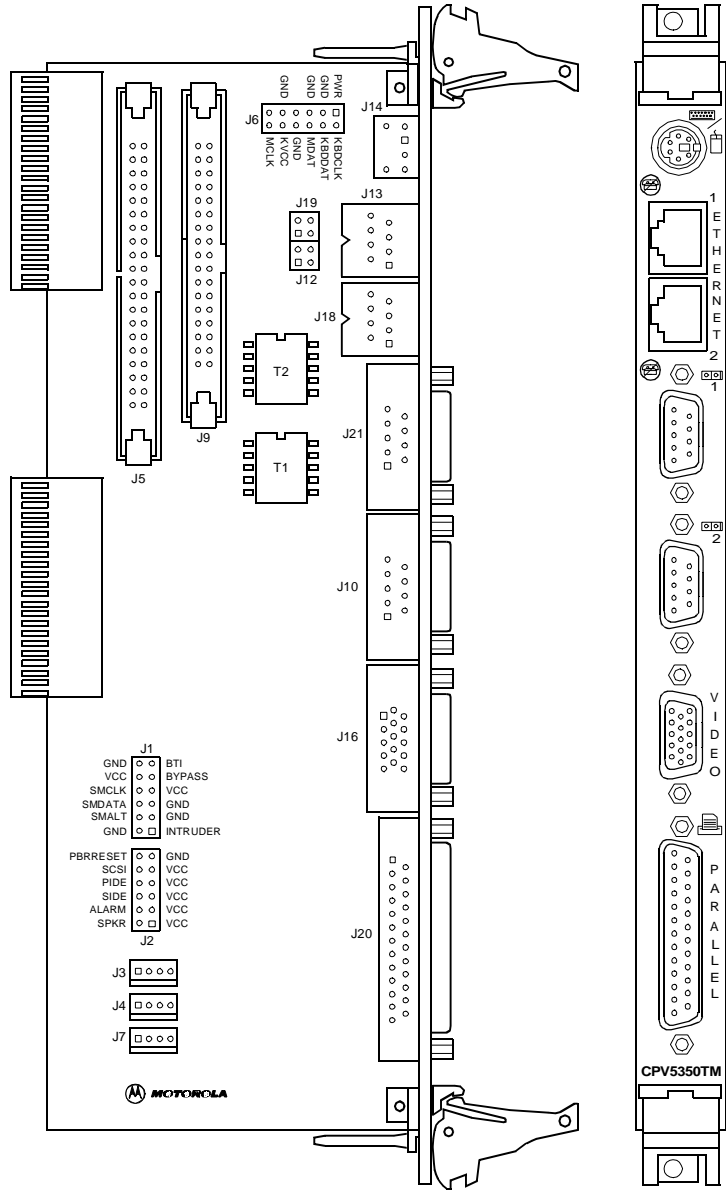
The CPV5350TM80 transition module provides rear I/O connectivity for the CPV5350 CPU controller module.

The CPV5350TM80 provides rear panel connections for:

- Two Ethernet ports
- Two serial ports
- Two Universal Serial Bus ports
- One parallel port
- One video port
- One keyboard/mouse port
- On-board headers for keyboard/mouse/power LED
- On-board headers for a speaker and reset
- On-board EIDE header (supports up to four devices), floppy drives,

When the identical function is available through the CPV5350 controller's front panel and the CPV5350TM80 transition module's panel, you can use either the front or the rear connector, but not both.

The next figure shows the CPV5350TM80 front panel and on-board connectors and jumpers.



2493 9902

Connectors

The following table lists the connectors available to support devices on the CPV5350. The figure on the preceding page shows the location of the connectors described in the table.

Connector	Description
J1	SM Bus and LM78 connector
J2	EIDE indicator lights, push-button reset, alarm indicator, and speaker connector
J3	Fan tachometer connector
J4	Fan tachometer connector
J5	EIDE connector
J6	Keyboard/Mouse, power LED connector
J7	Miscellaneous Power
J9	Floppy Connector
J10	COM 2
J12	USB port
J13	Ethernet 1
J14	Keyboard/Mouse
J16	Video Connector
J18	Ethernet 2
J19	USB Port
J20	Parallel port connector
J21	COM1

Keyboard/Mouse PS2 Connector

The keyboard/mouse connector (J14) uses a 6-pin, female PS/2 connector.

Table 5-15. Keyboard/Mouse P/S2 Connector Pin Assignments (J14)

Pin	Signal Mnemonic	Signal Description
1	KBDDAT	Keyboard Data
2	AUXDAT	Auxiliary Data
3	GND	Ground
4	KBDVCC	Keyboard Power (current limited to .75 Amp)
5	KBDCLK	Keyboard Clock
6	AUXCLK	Auxiliary Clock
7	CGND	Common Ground

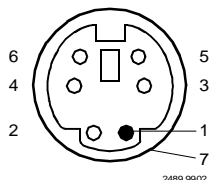


Figure 5-12. Keyboard/Mouse Connector Diagram

Ethernet Connectors

Ethernet 1 (J13) and Ethernet 2 (J18) use standard RJ-45 connectors.

Table 5-16. Ethernet Connector Pin Assignments (J13 and J18)

Pin	Signal Mnemonic	Signal Description
1	TX+	Differential transmit lines
2	TX-	Differential transmit lines
3	RX+	Differential receive lines
4	--	--
5	--	--
6	RX-	Differential receive lines
7	--	--
8	--	--

5

Serial Port Connectors

COM 1 (Serial Port 1, J21) and COM 2 (Serial Port 2, J10) use 2 x 9-pin D-sub connectors.

Table 5-17. Serial Port Connector Pin Assignments (J21 and J10)

Pin	Signal Mnemonic	Signal Description
1	DCD-	Data set has detected the data carrier
2	RX	Receives serial data input from communication link
3	TX	Sends serial output to communication link
4	DTR-	Data set is ready to establish a communication link
5	GND	Ground

Table 5-17. Serial Port Connector Pin Assignments (J21 and J10) (continued)

Pin	Signal Mnemonic	Signal Description
6	DSR-	Data set is ready to establish a communication link
7	RTS-	Indicates to data set that UART is ready to exchange data
8	CTS-	Data set is ready to exchange data
9	RI-	Modem has received a telephone ringing signal

Video Connector

The video connector (J16) uses a 15-pin high density D-sub connector.

Table 5-18. Video Connector Pin Assignments (J16)

Pin	Signal Mnemonic	Signal Description
1	RED	Red signal
2	GREEN	Green signal
3	BLUE	Blue signal
4	NC	Not connected
5	DACVSS	Video return
6	DACVSS	Video return
7	DACVSS	Video return
8	DACVSS	Video return
9	NC	Not connected
10	DACVSS	Video return
11	NC	Not connected

Table 5-18. Video Connector Pin Assignments (J16)

Pin	Signal Mnemonic	Signal Description
12	DDCDAT	Display data channel data signal for DDC2 support
13	HSYNC	Horizontal synchronization
14	VSYNC	Vertical synchronization
15	DDCCLK	Display data channel clock signal for DDC2 support

Parallel Port Connector (J20)

The parallel port (J20) uses a 25-pin, D-sub connector.

Table 5-19. Parallel Connector Pin Assignments (J20)

Pin	Signal Mnemonic	Signal Description
1	STROBE-	Data at parallel port is valid
2	D0	Parallel data lines
3	D1	Parallel data line
4	D2	Parallel data line
5	D3	Parallel data line
6	D4	Parallel data line
7	D5	Parallel data line
8	D6	Parallel data line
9	D7	Parallel data line
10	ACK-	Acknowledge data retrieval
11	BUSY	Printer cannot accept more data
12	PE	Printer out of paper
13	SELECT	Set high when selected
14	AFD-	Causes printer to add a line feed

Table 5-19. Parallel Connector Pin Assignments (J20)

Pin	Signal Mnemonic	Signal Description
15	ERR-	Set low when an error is detected
16	INIT-	Initializes the printer
17	SLIN-	Selects the printer
18	GND	Ground
19	GND	Ground
20	GND	Ground
21	GND	Ground
22	GND	Ground
23	GND	Ground
24	GND	Ground
25	GND	Ground

EIDE Headers (J5)**Table 5-20. EIDE Header (J5) Pin Assignments**

Pin	Signal Mnemonic	Signal Description	Pin	Signal Mnemonic	Signal Description
1	Reset	Reset signal to drive	2	GND	Ground
3	DD7	Drive data line	4	DD8	Drive data line
5	DD6	Drive data line	6	DD9	Drive data line
7	DD5	Drive data line	8	DD10	Drive data line

Table 5-20. EIDE Header (J5) Pin Assignments

Pin	Signal Mnemonic	Signal Description	Pin	Signal Mnemonic	Signal Description
9	DD4	Drive data line	10	DD11	Drive data line
11	DD3	Drive data line	12	DD12	Drive data line
13	DD2	Drive data line	14	DD13	Drive data line
15	DD1	Drive data line	16	DD14	Drive data line
17	DD0	Drive data line	18	DD15	Drive data line
19	GND	Ground	20	-	-
21	DMARQ	Drive DMA request	22	GND	Ground
23	IOW	Drive I/O write	24	GND	Ground
25	IOR	Drive I/O read	26	GND	Ground
27	IORDY	Drive is ready for I/O cycles	28	CSEL	Cable select
29	DMACK	Drive DMA acknowledge	30	GND	Ground
31	INTRQ	Drive interrupt request	32	IOCS16	16 bit register is decoded

Table 5-20. EIDE Header (J5) Pin Assignments

Pin	Signal Mnemonic	Signal Description	Pin	Signal Mnemonic	Signal Description
33	DA1	Drive register and data port address lines	34	PDIAG	Output from drive 1 and monitored by drive 0
35	DA0	Drive register and data port address lines	36	DA2	Drive register and data port address lines
37	CS1	Chip select drive 0, also command register block select	38	CS3	Chip select drive 1, also command register block select
39	DASP	Drive active slave present	40	GND	Ground

Floppy Header (J9)**Table 5-21. Floppy Header (J9) Pin Assignments**

Pin	Signal Mnemonic	Signal Description	Pin	Signal Mnemonic	Signal Description
1	GND	Drive common	2	DRVDENS0	Disk density select communication
3	-	-	4	-	-
5	GND	Drive common	6	DRVDENS1	Disk density select communication
7	GND	Drive common	8	INDEX	Beginning of a track

Table 5-21. Floppy Header (J9) Pin Assignments

Pin	Signal Mnemonic	Signal Description	Pin	Signal Mnemonic	Signal Description
9	GND	Drive common	10	MTR0	Motor enable output
11	GND	Drive common	12	DS1	Drive select 1
13	GND	Drive common	14	DS0	Drive select 0
15	GND	Drive common	16	MTR1	Motor enable output
17	GND	Drive common	18	DIR	Controls direction of the floppy disk drive head during seek operation
19	GND	Drive common	20	STEP	Supplies step pulses to move head during seek operations
21	GND	Drive common	22	WDATA	Writes serial data to disk drive
23	GND	Drive common	24	WGATE	Enables head of disk drive to write to disk
25	GND	Drive common	26	TR0	Head of floppy disk drive is at track 0

Table 5-21. Floppy Header (J9) Pin Assignments

Pin	Signal Mnemonic	Signal Description	Pin	Signal Mnemonic	Signal Description
27	GND	Drive common	28	WPROT	Disk is write protected
29	GND	Drive common	30	RDATA	Raw read data from disk drive
31	GND	Drive common	32	HDSEL	Determines the side of the floppy disk being accessed
33	GND	Drive common	34	DSKCHG	Notifies disk drive controller that the drive door is open

Keyboard/Mouse/Power LED Header (J6)

The table below shows the pin assignments for the keyboard, mouse, and power LED header.

Table 5-22. Keyboard/Mouse/Power LED Header (J6) Pin Assignments

Pin	Signal Mnemonic	Signal Description	Pin	Signal Mnemonic	Signal Description
1	PWRLED	Power LED Indicator	2	KBDCLK	Clock for keyboard
3	GND	Ground	4	KBDDAT	Data line for keyboard

Table 5-22. Keyboard/Mouse/Power LED Header (J6) Pin Assignments (continued)

Pin	Signal Mnemonic	Signal Description	Pin	Signal Mnemonic	Signal Description
5	GND	Ground	6	AUXDAT	Data line for mouse
7	-	-	8	GND	Ground
9	GND	Ground	10	KBDVCC	Keyboard power (.75A)
11	-	-	12	AUXCLK	Clock for mouse

5

USB Headers (J12 and J19)**Table 5-23. USB Headers (J12 and J19) Pin Assignments**

Pin	Signal Mnemonic	Signal Description
1	+5V	Current limited USB power
2	DATA-	USB serial communications differential pair
3	DATA+	USB serial communications differential pair
4	GND	USB Port common

SM Bus and LM78 Header (J1)**Table 5-24. SM Bus and LM78 Header (J1) Pin Assignments**

Pin	Signal Mnemonic	Signal Description	Pin	Signal Mnemonic	Signal Description
1	OPEN-	Chassis intrusion signal	2	GND	Ground
3	GND	Ground	4	SMBALERT-	SM bus interrupt signal
5	GND	Ground	6	SMBDATA	SM bus data strobe signal
7	VCC	SM bus power	8	SMBCLK	SM bus clock signal
9	BYPASS	Power switch bypass signal	10	VCC	SM bus power
11	BT1-	Board temperature interrupt signal	12	GND	Ground

Fan Tachometer Headers (J3 and J4)

Refer to the next table for pin assignments and signal descriptions for the Fan Tachometer headers (J3 and J4) on the CPV5350 Transition Module.

Table 5-25. Fan Tachometer Header (J3 and J4) Pin Assignments

Pin	Signal Mnemonic	Signal Description
1	VCC	SM bus power
2	TACH	Tachometer input for fan
3	GND	Ground
4	+12V	12 volt power

5

Indicator LED/Miscellaneous Header (J2)

Table 5-26. Indicator LED/Miscellaneous Header (J2) Pin Assignments

Pin	Signal Mnemonic	Signal Description	Pin	Signal Mnemonic	Signal Description
1	VCC	+5V power (limited to .75A total)	2	SPEAKER	Speaker output
3	VCC	+5V power (limited to .75A total)	4	ALARM	Alarm indicator LED

Table 5-26. Indicator LED/Miscellaneous Header (J2) Pin Assignments (continued)

Pin	Signal Mnemonic	Signal Description	Pin	Signal Mnemonic	Signal Description
5	VCC	+5V power (limited to .75A total)	6	EIDE_LED	Secondary channel EIDE activity LED
7	VCC	+5V power (limited to .75A total)	8	-	-
9	VCC	+5V power (limited to .75A total)	10	-	-
11	GND	Ground	12	PBRESET-	Push button reset

Chapter Overview

This chapter provides reference information for the various subassemblies of the CPX8216 and CPX8216T system. It covers only those items associated with the system enclosure. For information about CompactPCI board components, refer to the appropriate chapter in this manual.

The following table lists the system components covered in this chapter:

Table 6-1. System Components

Topic:	Page:
<i>Parts of the System</i>	6-2
<i>CompactPCI Card Cage Reference</i>	6-4
<i>Backplane Reference</i>	6-5
<i>Alarm Display Panel</i>	6-51
<i>Power Distribution Panel</i>	6-54
<i>Power Supplies</i>	6-58

Parts of the System

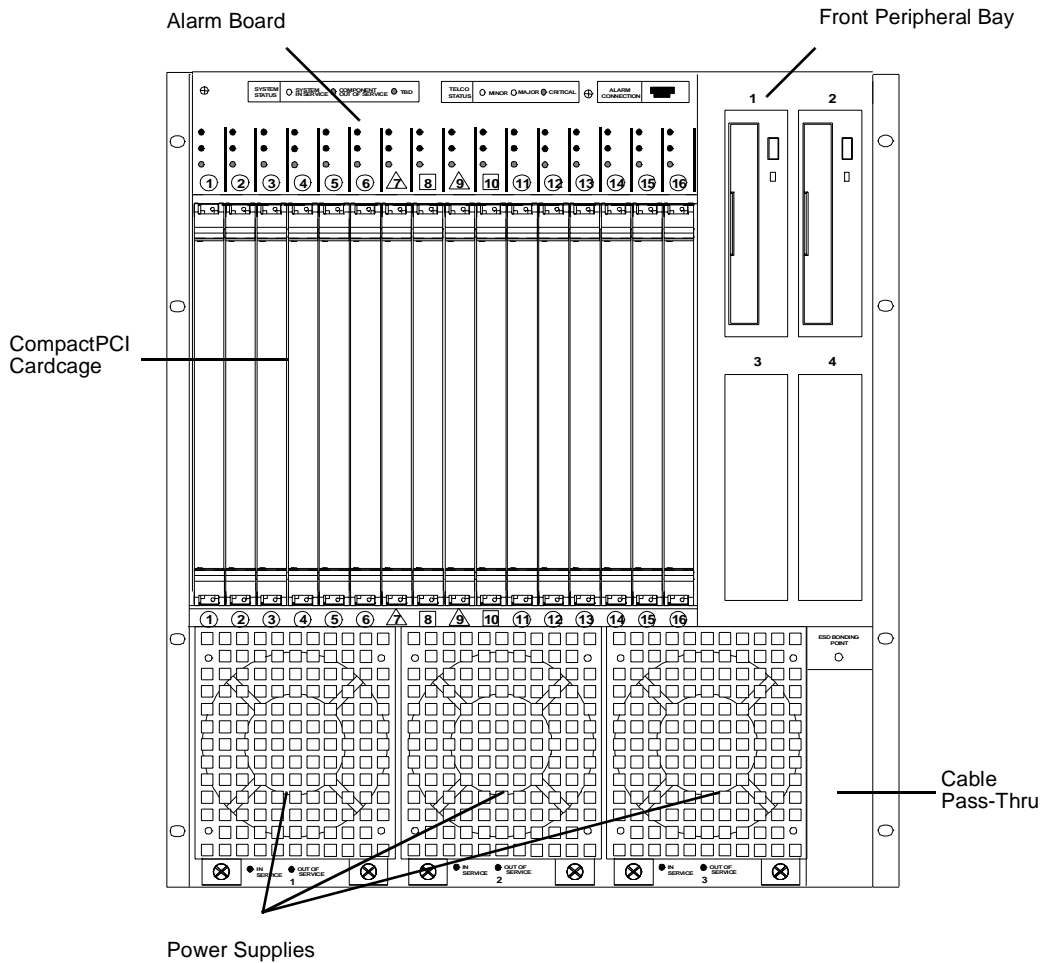
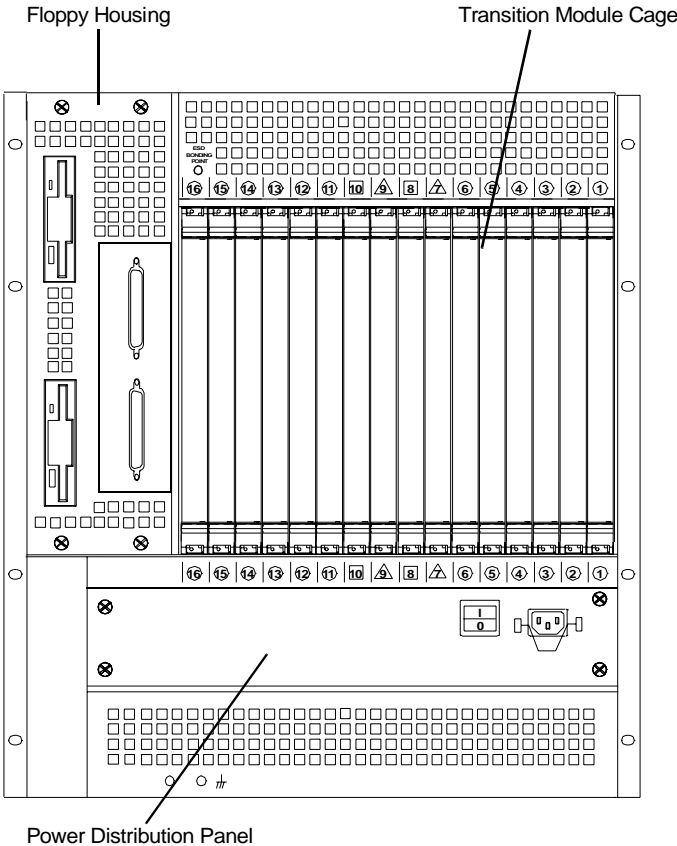


Figure 6-1. CPX8216 Front View

6



6

Figure 6-2. CPX8216 Rear View

CompactPCI Card Cage Reference

Industry standard CompactPCI cardguides are used for the front controller boards and rear transition boards. The CPU slot is identified with red guide rails, the I/O slots with black rails, and the Hot Swap Controller/Bridge slots with tan rails (see [Figure 6-3](#) and [Figure 6-4](#) on page 6-4).

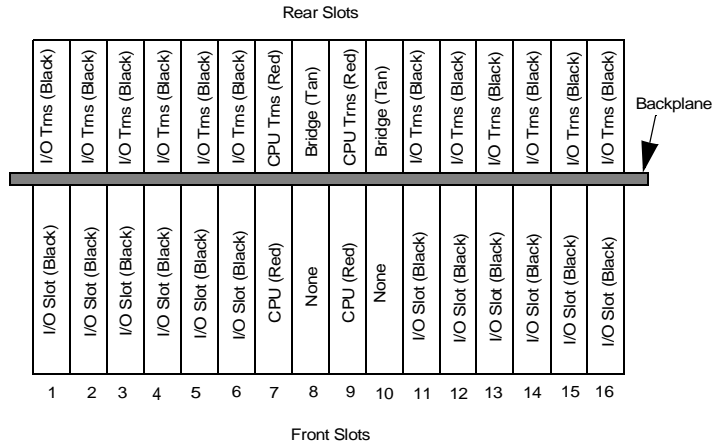


Figure 6-3. Card Cage Rail Color Scheme—CPX8216 Standard System

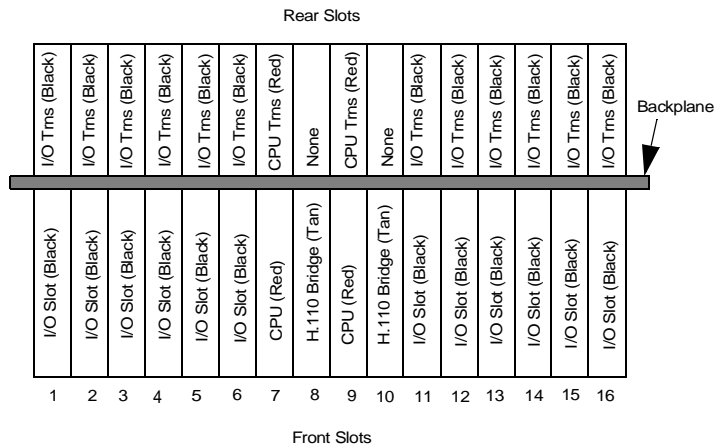


Figure 6-4. Card Cage Rail Color Scheme—CPX8216T H.110 System

Each slot, both controller and transition, has one ESD cardguide clip and one ESD alignment pin clip. All clips are located on the bottom cardguide only.

Backplane Reference

The backplane provides the interconnect for all 16-slot, 6U CompactPCI bus, N+1 power distribution, alarm signal distribution, and IDE device signal/status distribution.

All sixteen CompactPCI slots accept any standard 6U CompactPCI board or transition module which meet IEEE 1101.1, IEEE 1101.10, and IEEE1101.11 specifications. The slots are 64-bit, 33 MHz PCI compliant.

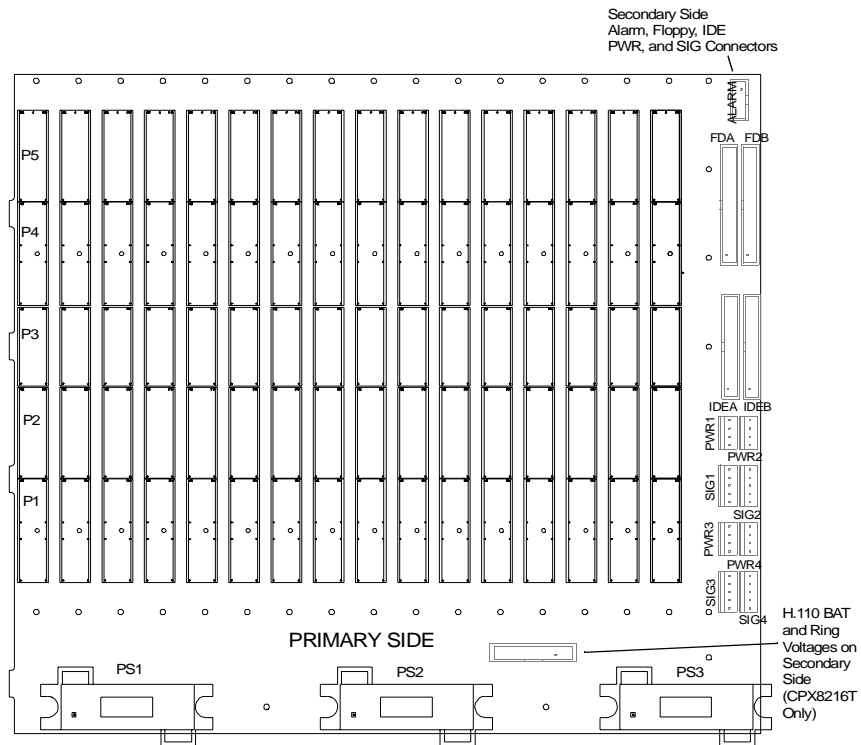


Figure 6-5. CPX8216 and CPX8216T Backplane—Primary Side

Power Supply Connectors (PS1, PS2, PS3)

The three power supply connectors, PS1, PS2, and PS3, are located on the primary side of the backplane.

Note The shaded pins are high current pins. Present[n]# is grounded on the backplane.

Table 6-2. PS1, PS2, and PS3 Pin Assignments

Pin	Signal	Signal	Pin
1	GND	Present[n]#	16
2	GND	-12Vdc	17
3	+3.3Vdc	A_DOUT#	18
4	+3.3Vdc	PS[n]_DIN#	19
5	+5Vdc	-12Vdc	20
6	-5Vdc	N/C	21
7	+5_Share	N/C	22
8	+3.3Vdc	N/C	23
9	-3.3Vdc	N/C	24
10	+3.3_Share	N/C	25
11	+12Vdc	+5Vdc	26
12	+12Vdc	+5Vdc	27
13	+12Vdc	GND	28
14	A_CLK	GND	29
15	PS[n]_FRAME#		

Table 6-3. Fan Module Pin Assignments

Pin	Signal	Color	Pin	Signal	Color
1	N/C		6	N/C	
2	+12V_System In	Grey	7	+12V_System Out	Brown
3	+12V_Fan	Red	8	+12V_Fan_Rtn	Black
4	Tach	Blue	9	Speed Ctl	Yellow
5	N/C		10	N/C	

H.110 Power Connector (CPX8216T Only)

H.110 BAT and Ring voltages are supplied to the backplane directly from the Power Distribution Panel. This section applies to CPX8216T systems only.

Table 6-4. H.110 Power Connector

Pin	Signal
1	-Vbat
2	Vbat RTN
3	-SELVbat
4	SELVbat RTN
5	VRG
6	VRG RTN

Alarm Interface Connector (ALARM)

The alarm interface connector is located on the secondary side of the backplane. Alarm signals are routed through the backplane to the ALARM connector. The alarm board attaches to this connector by ribbon cable.

Table 6-5. ALARM Connector Pin Assignments

Pin	Signal	Pin	Signal
1	ALM_A_CLK	2	GND
3	ALM_B_CLK	4	GND
5	ALM_A_DOUT#	6	ALM_A_5V
7	ALM_B_DOUT#	8	ALM_B_5V
9	ALM_A_FRAME#	10	ALM_B_FRAME#
11	ALM_A_DIN#	12	

Floppy Drive Connectors (FDA, FDB)

The backplane supports two standard IDE floppy drives. The floppy drive connectors, FDA and FDB, are located on the secondary side of the backplane. FDA is controlled by domain A, and FDB is controlled by domain B.

Table 6-6. FDA and FDB Pin Assignments

Pin	Signal	Signal	Pin
1	GND	Not Connected	2
3	GND	Not Connected	4
5	Key (pin missing)	Not Connected	6
7	GND	F_[n]_INDEX#	8
9	GND	F_[n]_MTRO#	10
11	GND	F_[n]_DS1#	12

Table 6-6. FDA and FDB Pin Assignments (continued)

Pin	Signal	Signal	Pin
13	GND	F_[n]_DS0#	14
15	GND	F_[n]_MTR1#	16
17	GND	F_[n]_DIR#	18
19	GND	F_[n]_STEP#	20
21	GND	F_[n]_WDATA#	22
23	GND	F_[n]_WGATE#	24
25	GND	F_[n]_TR0#	26
27	GND	F_[n]_WPROT#	28
29	GND	F_[n]_RDATA#	30
31	GND	F_[n]_HDSEL#	32
33	GND	F_[n]_DSKCHG#	34

IDE Drive Connectors (IDEA and IDEB)

The two IDE drive connectors are located on the secondary side of the backplane. IDEA is controlled by Domain A; IDEB by Domain B.

Table 6-7. IDEA and IDEB Pin Assignments

Pin	Signal	Signal	Pin
1	IDE_[n]_RST#	GND	2
3	IDE_[n]_D7	IDE_[n]_D8	4
5	IDE_[n]_D6	IDE_[n]_D9	6
7	IDE_[n]_D5	IDE_[n]_D10	8
9	IDE_[n]_D4	IDE_[n]_D11	10
11	IDE_[n]_D3	IDE_[n]_D12	12
13	IDE_[n]_D2	IDE_[n]_D13	14

Table 6-7. IDEA and IDEB Pin Assignments (continued)

Pin	Signal	Signal	Pin
15	IDE_[n]_D1	IDE_[n]_D13	16
17	IDE_[n]_D0	IDE_[n]_D15	18
19	GND	Key (pin missing)	20
21	IDE_[n]_DMARQ	GND	22
23	IDE_[n]_DIOW#	GND	24
25	IDE_[n]_DIOR#	GND	26
27	IDE_[n]_IORDY	No Connect	28
29	IDE_[n]_DMACK#	GND	30
31	IDE_[n]_INTRQ	IDE_[n]_IOCS16#	32
33	IDE_[n]_DA1	IDE_[n]_PDIAG#	34
35	IDE_[n]_DA0	IDE_[n]_DA2	36
37	IDE_[n]_CS1FX#	IDE_[n]_CS3FX#	38
39	IDE_[n]_DASP	GND	40

Peripheral Power Connectors (PWR1, PWR2, PWR3, PWR4)

The four peripheral power connectors are located on the secondary side of the CPX8216 backplane. All four connectors have the same pin-out and can be used interchangeably.

Table 6-8. PWR1, PWR2, PWR3, PWR4 Pin Assignments

Pin	Signal
1	+5 Volts
2	Ground

Table 6-8. PWR1, PWR2, PWR3, PWR4 Pin Assignments

Pin	Signal
3	Ground
4	+12 Volts

Peripheral Signal Connectors (SIG1, SIG2, SIG3, SIG4)

The four peripheral signal connectors are located on the secondary side of the CPX8216 backplane. All four connectors have the same pin-out. The connectors map to different locations in the Hot Swap Controller peripheral registers, and cannot be used interchangeably.

Table 6-9. SIG1, SIG2, SIG3, SIG4 Pin Assignments

Pin	Signal
1	Per[n]_Pwr_ON#
2	Per[n]_LED1#
3	Per[n]_LED2#
4	Per[n]_PSNT_A#
5	Per[n]_PSNT_B#

CompactPCI Connectors (P1, P2, P3, P4, P5)—CPX8216 Standard Backplane

Primary (Front) Side I/O Connectors (Slots 1-6 and 11-16)

In the front I/O slots (system slots 1-6 and 11-16), connectors P3, P4, and P5 are reserved for user I/O.

Connectors P1 and P2 carry the CompactPCI bus (bus A for slots 1-6, bus B for slots 11-16).

Table 6-10. P5 Connector, I/O Slots 1-6 and 11-16 (User I/O)

POS	Row Z	Row A	Row B	Row C	Row D	Row E	Row F
22-1	GND	I/O	I/O	I/O	I/O	I/O	GND
<i>All I/O pins pass through the backplane to the transition module, they do not make any connection to the backplane.</i>							

6

Table 6-11. P4 Connector, I/O Slots 1-6 and 11-16 (User I/O)

POS	Row Z	Row A	Row B	Row C	Row D	Row E	Row F
25-15	GND	I/O	I/O	I/O	I/O	I/O	GND
14	KEY AREA						
13							
12							
11-1	GND	I/O	I/O	I/O	I/O	I/O	GND
<i>All I/O pins pass through the backplane to the transition module, they do not make any connection to the backplane.</i>							

Table 6-12. P3 Connector, I/O Slots 1-6 and 11-16 (User I/O)

POS	Row Z	Row A	Row B	Row C	Row D	Row E	Row F
19-1	GND	I/O	I/O	I/O	I/O	I/O	GND
<i>All I/O pins pass through the backplane to the transition module, they do not make any connection to the backplane.</i>							

Table 6-13. P2 Connector, I/O Slots 1-6 and 11-16 (CPCI Bus)

POS	Row Z	Row A	Row B	Row C	Row D	Row E	Row F
22	GND	GA4	GA3	GA2	GA1	GA0	GND
21	GND		GND	RSV	RSV	RSV	GND
20	GND		GND	RSV	GND	RSV	GND
19	GND	GND	GND	RSV	RSV	RSV	GND
18	GND	_BRSVP2 A18	_BRSVP2B 18	_BRSVP2 C18	GND	_BRSVP2E18	GND
17	GND	_BRSVP2 A17	GND				GND
16	GND	_BRSVP2 A16	_BRSVP2B 16			_BRSVP2E16	GND
15	GND	_BRSVP2 A15	GND				GND
14	GND	_AD[35]	_AD[34]	_AD[33]	GND	_AD[32]	GND
13	GND	_AD[38]	GND	VIO	_AD[37]	_AD[36]	GND
12	GND	_AD[42]	_AD[41]	_AD[40]	GND	_AD[39]	GND
11	GND	_AD[45]	GND	VIO	_AD[44]	_AD[43]	GND
10	GND	_AD[49]	_AD[48]	_AD[47]	GND	_AD[46]	GND
9	GND	_AD[52]	GND	VIO	_AD[51]	_AD[50]	GND
8	GND	_AD[56]	_AD[55]	_AD[54]	GND	_AD[53]	GND
7	GND	_AD[59]	GND	VIO	_AD[58]	_AD[57]	GND

Signals beginning with an underscore (_) are prefixed with the bus name:

*For boards located in slots 1-6 (Domain A), the signal name is prefixed with PCI_A (for example, PCI_A_AD[49]).

*For boards located in slots 11-16 (Domain B), the signal name is prefixed with PCI_B (for example, PCI_B_AD[49]).

Signals RSV are not connected.

Signals beginning with _BRSV are bussed, but not used.

Table 6-13. P2 Connector, I/O Slots 1-6 and 11-16 (CPCI Bus)

POS	Row Z	Row A	Row B	Row C	Row D	Row E	Row F
6	GND	_AD[63]	_AD[62]	_AD[61]	GND	_AD[60]	GND
5	GND	_C/BE[5]#	GND	VIO	C/BE[4]#	_PAR64	GND
4	GND	VIO	_BRSVP2B 4	_C/BE[7]#	GND	_C/BE[6]	GND
3	GND		GND				GND
2	GND						GND
1	GND		GND				GND

Signals beginning with an underscore (_) are prefixed with the bus name:
 *For boards located in slots 1-6 (Domain A), the signal name is prefixed with PCI_A (for example, PCI_A_AD[49]).
 *For boards located in slots 11-16 (Domain B), the signal name is prefixed with PCI_B (for example, PCI_B_AD[49]).
 Signals RSV are not connected.
 Signals beginning with _BRSV are bussed, but not used.

Table 6-14. P1 Connector, I/O Slots 1-6 and 11-16 (CPCI Bus)

POS	Row Z	Row A	Row B	Row C	Row D	Row E	Row F
25	GND	5V	_REQ64#	A_ENUM#	3.3V	5V	GND
24	GND	_AD[1]	5V	VIO	_AD[0]	_ACK64#	GND

Signals beginning with an underscore (_) are prefixed with the bus name:
 *For boards located in slots 1-6 (Domain A), the signal name is prefixed with PCI_A (for example, PCI_A_AD[49]).
 *For boards located in slots 11-16 (Domain B), the signal name is prefixed with PCI_B (for example, PCI_B_AD[49]).
 Signals RSV are not connected.
 Signals beginning with _BRSV are bussed, but not used.
 Signal A_ENUM# in Domain A (slots 1-6), B_ENUM# in Domain B (Slots 11-16).

Table 6-14. P1 Connector, I/O Slots 1-6 and 11-16 (CPCI Bus)

POS	Row Z	Row A	Row B	Row C	Row D	Row E	Row F
23	GND	3.3V	_AD[4]	_AD[3]	5V	_AD[2]	GND
22	GND	_AD[7]	GND	3.3V	_AD[6]	_AD[5]	GND
21	GND	3.3V	_AD[9]	_AD[8]	_M66EN	_C/BE[0]#	GND
20	GND	_AD[12]	GND	VIO	_AD[11]	_AD[10]	GND
19	GND	3.3V	_AD[15]	_AD[14]	GND	_AD[13]	GND
18	GND	_SERR#	GND	3.3V	_PAR	_C/BE[1]	GND
17	GND	3.3V	_SDONE	_SBO#	GND	_PERR#	GND
16	GND	_DEVSEL#	GND	VIO	_STOP#	_LOCK#	GND
15	GND	3.3V	_FRAME#	_IRDY#	BD_SEL[n]#	_TRDY#	GND
14-12	KEY AREA						
11	GND	_AD[18}	_AD[17]	_AD[16]	GND	_C/BE[2]#	GND
10	GND	_AD[21]	GND	3.3V	_AD[20]	_AD[19]	GND
9	GND	_C/BE[3]	_IDSEL	_AD[23]	GND	_AD[22]	GND
8	GND	_AD[26]	GND	VIO	_AD[25]	_AD[24]	GND
7	GND	_AD[30]	_AD[29]	_AD[28]	GND	_AD[27]	GND
6	GND	REQ[N]#	GND	3.3V	CLK[N]	_AD[31]	GND
5	GND	_BRSVP1A 5	_BRSVP1B 5	RST[N]#	GND	GNT[N]#	GND
<p>Signals beginning with an underscore (_) are prefixed with the bus name: *For boards located in slots 1-6 (Domain A), the signal name is prefixed with PCI_A (for example, PCI_A_AD[49]). *For boards located in slots 11-16 (Domain B), the signal name is prefixed with PCI_B (for example, PCI_B_AD[49]). Signals RSV are not connected. Signals beginning with _BRSV are bussed, but not used. Signal A_ENUM# in Domain A (slots 1-6), B_ENUM# in Domain B (Slots 11-16).</p>							

Table 6-14. P1 Connector, I/O Slots 1-6 and 11-16 (CPCI Bus)

POS	Row Z	Row A	Row B	Row C	Row D	Row E	Row F
4	GND	_BRSVP1A 4	HLTY[N]#	VIO	_INTP	_INTS	GND
3	GND	_INTA#	_INTB#	_INTC#	5V	_INTD#	GND
2	GND	TCK	5V	TMS	TDO	TDI	GND
1	GND	5V	-12V	TRST#	+12V	5V	GND

Signals beginning with an underscore (_) are prefixed with the bus name:
 *For boards located in slots 1-6 (Domain A), the signal name is prefixed with PCI_A (for example, PCI_A_AD[49]).
 *For boards located in slots 11-16 (Domain B), the signal name is prefixed with PCI_B (for example, PCI_B_AD[49]).
 Signals RSV are not connected.
 Signals beginning with _BRSV are bussed, but not used.
 Signal A_ENUM# in Domain A (slots 1-6), B_ENUM# in Domain B (Slots 11-16).

Primary (Front) Side CPU Slot Connectors (7 and 9)

Table 6-15. P5 Connector, CPU Slots 7 and 9

POS	Row Z	Row A	Row B	Row C	Row D	Row E	Row F
22	GND	I/O	I/O	I/O	I/O	I/O	GND
21	GND	I/O	I/O	I/O	I/O	I/O	GND
20	GND	I/O	I/O	I/O	I/O	I/O	GND
19	GND	I/O	I/O	I/O	I/O	I/O	GND
18	GND	I/O	I/O	I/O	I/O	I/O	GND
17	GND	I/O	I/O	I/O	I/O	I/O	GND
16	GND	I/O	I/O	I/O	I/O	I/O	GND
15	GND	I/O	I/O	I/O	I/O	I/O	GND
14	GND	I/O	I/O	I/O	I/O	I/O	GND
13	GND	I/O	I/O	I/O	I/O	I/O	GND
12	GND	I/O	I/O	I/O	I/O	I/O	GND
11	GND	I/O	I/O	I/O	I/O	I/O	GND
10	GND	_TR0#	_WPROT#	_RDATA#	_HDSEL#	_DSKCHG#	GND
9	GND	_MTR1#	_DIR#	_STEP#	_WDATA#	_WGATE#	GND
8	GND	_RSV1#	_INDEX#	_MTR0#	_DS1#	A_DS0#	GND
7	GND	_CS1FX#	_CS3FX#	_DA1	_DASP#	_RSV0#	GND

Signals in bold text are prefixed with IDE_A if the board resides in slot 7 or IDE_B if the board resides in slot 9.

Signals in shaded cells are prefixed with F_A if the board resides in slot 7 or F_B if the board resides in slot 9.

All I/O pins pass through the backplane to the transition module; they do not make any connection to the backplane.

Table 6-15. P5 Connector, CPU Slots 7 and 9 (continued)

POS	Row Z	Row A	Row B	Row C	Row D	Row E	Row F
6	GND	_IOCS16#	I/O	_PDIAG#	_DA0	_DA2	GND
5	GND	_DMARQ	_IORDY	_DIOW#	_DMACK#	_DIOR#	GND
4	GND	_D14	_D0	I/O	_D15	_INTRQ	GND
3	GND	_D3	_D12	_D2	_D13	_D1	GND
2	GND	_D9	_D5	_D10	_D4	_D11	GND
1	GND	I/O	_RST#	_D7	_D8	_D6	GND

Signals in bold text are prefixed with IDE_A if the board resides in slot 7 or IDE_B if the board resides in slot 9.

Signals in shaded cells are prefixed with F_A if the board resides in slot 7 or F_B if the board resides in slot 9.

All I/O pins pass through the backplane to the transition module; they do not make any connection to the backplane.

Table 6-16. P4 Connector, CPU Slots 7 and 9

POS	Row Z	Row A	Row B	Row C	Row D	Row E	Row F
25	GND	_AD36	_AD35	_AD34	_AD33	_AD32	GND
24	GND	_AD40	_AD39	_AD38	GND	_AD37	GND
23	GND	_AD45	_AD44	_AD43	_AD42	_AD41	GND
22	GND	_AD49	_+3.3	_AD48	_AD47	_AD46	GND
21	GND	_AD53	_AD52	_AD51	GND	_AD50	GND

The **_+5** and **_**+3**** in the shaded cells are provided by the CPU board; they are not connected to the system power plane. These signals are prefixed with CPUA if the board resides in slot 7 or CPU B if the board resides in slot 8 (for example, CPUA_**_+5**).

Signals beginning with an underscore (**_**) are prefixed with the local PCI bus name:

*For boards located in slot 7 (Domain A), the signal name is prefixed with L_PCI_A (for example, L_PCI_A_**_AD17**).

*For boards located in slot 9 (Domain B), the signal name is prefixed with L_PCI_B (for example, L_PCI_B_**_AD17**).

Table 6-16. P4 Connector, CPU Slots 7 and 9 (continued)

POS	Row Z	Row A	Row B	Row C	Row D	Row E	Row F
20	GND	_AD57	_ +3.3	_AD56	_AD55	_AD54	GND
19	GND	_AD61	_AD60	_AD59	GND	_AD58	GND
18	GND	_CBE4#	_ +3.3	_PAR64	_AD63	_AD62	GND
17	GND	_REQ64#	_CBE7#	_CBE6#	GND	_CBE5#	GND
16	GND	_AD2	_ +3.3	_AD1	_AD0	_ACK64#	GND
15	GND	_AD6	_AD5	_AD4	GND	_AD3	GND
14-12	KEY AREA						
11	GND	_AD9	_AD8	_CBE0#	GND	_AD7	GND
10	GND	_AD13	_ +5	_AD12	_AD11	_AD10	GND
9	GND	_PAR	_CBE1#	_AD15	GND	_AD14	GND
8	GND	_STOP#	_ +5	_LOCK#	_PERR#	_SERR#	GND
7	GND	_FRAME#	_IRDY#	_TRDY#	GND	_DEVSEL#	GND
6	GND	_AD18	_ +5	_AD17	_AD16	CBE2#	GND
5	GND	_AD21	_CLK	_AD20	GND	_AD19	GND
4	GND	_CBE3#	_ +5	_IDSEL	_AD23	_AD22	GND
3	GND	_AD28	_AD27	_AD26	_AD25	_AD24	GND
2	GND	_GNT#	_REQ#	_AD31	_AD30	_AD29	GND
1	GND	_INTA#	_INTB#	_INTC#	_INTD#	_RST#	GND

The **+5** and **+3** in the shaded cells are provided by the CPU board; they are not connected to the system power plane. These signals are prefixed with CPUA if the board resides in slot 7 or CPU B if the board resides in slot 8 (for example, CPUA_**+5**).

Signals beginning with an underscore (**_**) are prefixed with the local PCI bus name:

*For boards located in slot 7 (Domain A), the signal name is prefixed with L_PCI_A (for example, L_PCI_A_AD17).

*For boards located in slot 9 (Domain B), the signal name is prefixed with L_PCI_B (for example, L_PCI_B_AD17).

Table 6-17. P3 Connector, CPU Slots 7 and 9

POS	Row Z	Row A	Row B	Row C	Row D	Row E	Row F
19	GND	I/O	I/O	I/O	I/O	I/O	GND
18	GND	HS_REQ_	I/O	I/O	I/O	I/O	GND
17	GND	HS_GNT_	I/O	I/O	I/O	I/O	GND
16	GND	HS_FLT_	I/O	I/O	I/O	I/O	GND
15	GND	HS_EJ_	I/O	I/O	I/O	I/O	GND
14-1	GND	I/O	I/O	I/O	I/O	I/O	GND

All I/O pins pass through the backplane to the transition module; they do not make any connection to the backplane.

If the CPU is mounted in slot 7, the HS signals will end with A (for example, HS_REQ_A).

If the CPU is mounted in slot 9, the HS signals will end with B (for example, HS_REQ_B).

Table 6-18. P2 Connector, CPU Slot 7 (Domain A)

POS	Row Z	Row A	Row B	Row C	Row D	Row E	Row F
22	GND	GA4	GA3	GA2	GA1	GA0	GND
21	GND	CLK6	GND	RSV	RSV	RSV	GND
20	GND	CLK5	GND	RSV	GND	RSV	GND
19	GND	GND	GND	RSV	RSV	RSV	GND
18	GND	_BRSVP2 A18	_BRSVP2 B18	_BRSVP2 C18	GND	_BRSVP2 E18	GND
17	GND	_BRSVP2 A17	GND	_PRST#	_REQ6#	GNT6#	GND
16	GND	_BRSVP2 A16	_BRSVP2 B16	_DEG#	GND	_BRSVP2 E16	GND

Signals beginning with an underscore (_) are prefixed with the bus name PCI_A (for example, PCI_A_AD[49]).

Signals RSV are not connected.

Signals beginning with _BRSV are bussed, but not used.

Table 6-18. P2 Connector, CPU Slot 7 (Domain A) (continued)

POS	Row Z	Row A	Row B	Row C	Row D	Row E	Row F
15	GND	_BRSVP2 A15	GND	_FAL#	REQ5#	GNT5#	GND
14	GND	_AD[35]	_AD[34]	_AD[33]	GND	_AD[32]	GND
13	GND	_AD[38]	GND	VIO	_AD[37]	_AD[36]	GND
12	GND	_AD[42]	_AD[41]	_AD[40]	GND	_AD[39]	GND
11	GND	_AD[45]	GND	VIO	_AD[44]	_AD[43]	GND
10	GND	_AD[49]	_AD[48]	_AD[47]	GND	_AD[46]	GND
9	GND	_AD[52]	GND	VIO	_AD[51]	_AD[50]	GND
8	GND	_AD[56]	_AD[55]	_AD[54]	GND	_AD[53]	GND
7	GND	_AD[59]	GND	VIO	_AD[58]	_AD[57]	GND
6	GND	_AD[63]	_AD[62]	_AD[61]	GND	_AD[60]	GND
5	GND	_C/BE[5]#	GND	VIO	C/BE[4]#	_PAR64	GND
4	GND	VIO	_BRSVP2 B4	_C/BE[7]#	GND	_C/BE[6]	GND
3	GND	CLK4	GND	GNT3#	REQ4#	GNT4#	GND
2	GND	CLK2	CLK3	_SYSEN#	GNT2#	REQ3#	GND
1	GND	CLK1	GND	REQ1#	GNT1#	REQ2#	GND
<p>Signals beginning with an underscore (_) are prefixed with the bus name PCI_A (for example, PCI_A_AD[49]).</p> <p>Signals RSV are not connected.</p> <p>Signals beginning with _BRSV are bussed, but not used.</p>							

Table 6-19. P2 Connector, CPU Slot 9 (Domain B)

POS	Row Z	Row A	Row B	Row C	Row D	Row E	Row F
22	GND	GA4	GA3	GA2	GA1	GA0	GND
21	GND	CLK16	GND	RSV	RSV	RSV	GND
20	GND	CLK15	GND	RSV	GND	RSV	GND
19	GND	GND	GND	RSV	RSV	RSV	GND
18	GND	_BRSVP2 A18	_BRSVP2 B18	_BRSVP2 C18	GND	_BRSVP2 E18	GND
17	GND	_BRSVP2 A17	GND	_PRST#	_REQ16#	GNT16#	GND
16	GND	_BRSVP2 A16	_BRSVP2 B16	_DEG#	GND	_BRSVP2 E16	GND
15	GND	_BRSVP2 A15	GND	_FAL#	REQ15#	GNT15#	GND
14	GND	_AD[35]	_AD[34]	_AD[33]	GND	_AD[32]	GND
13	GND	_AD[38]	GND	VIO	_AD[37]	_AD[36]	GND
12	GND	_AD[42]	_AD[41]	_AD[40]	GND	_AD[39]	GND
11	GND	_AD[45]	GND	VIO	_AD[44]	_AD[43]	GND
10	GND	_AD[49]	_AD[48]	_AD[47]	GND	_AD[46]	GND
9	GND	_AD[52]	GND	VIO	_AD[51]	_AD[50]	GND
8	GND	_AD[56]	_AD[55]	_AD[54]	GND	_AD[53]	GND
7	GND	_AD[59]	GND	VIO	_AD[58]	_AD[57]	GND
6	GND	_AD[63]	_AD[62]	_AD[61]	GND	_AD[60]	GND
5	GND	_C/BE[5]#	GND	VIO	C/BE[4]#	_PAR64	GND
4	GND	VIO	_BRSVP2 B4	_C/BE[7]#	GND	_C/BE[6]	GND
<p>Signals beginning with an underscore (_) are prefixed with the bus name PCI_B (for example, PCI_B_AD[49]).</p> <p>Signals RSV are not connected.</p> <p>Signals beginning with _BRSV are bussed, but not used.</p>							

Table 6-19. P2 Connector, CPU Slot 9 (Domain B) (continued)

POS	Row Z	Row A	Row B	Row C	Row D	Row E	Row F
3	GND	CLK14	GND	GNT13#	REQ14#	GNT14#	GND
2	GND	CLK12	CLK13	_SYSEN#	GNT12#	REQ13#	GND
1	GND	CLK11	GND	REQ11#	GNT11#	REQ12#	GND

Signals beginning with an underscore (_) are prefixed with the bus name PCI_B (for example, PCI_B_AD[49]).

Signals RSV are not connected.

Signals beginning with _BRSV are bussed, but not used.

Table 6-20. P1 Connector, CPU Slots 7 and 9

POS	Row Z	Row A	Row B	Row C	Row D	Row E	Row F
25	GND	5V	_REQ64#	A_ENUM#	3.3V	5V	GND
24	GND	_AD[1]	5V	VIO	_AD[0]	_ACK64#	GND
23	GND	3.3V	_AD[4]	_AD[3]	5V	_AD[2]	GND
22	GND	_AD[7]	GND	3.3V	_AD[6]	_AD[5]	GND
21	GND	3.3V	_AD[9]	_AD[8]	_M66EN	_C/BE[0]#	GND
20	GND	_AD[12]	GND	VIO	_AD[11]	_AD[10]	GND
19	GND	3.3V	_AD[15]	_AD[14]	GND	_AD[13]	GND

Signals beginning with an underscore (_) are prefixed with the bus name:

*For boards located in slot 7 (Domain A), the signal name is prefixed with PCI_A (for example, PCI_A_AD[49]).

*For boards located in slot 9 (Domain B), the signal name is prefixed with PCI_B (for example, PCI_B_AD[49]).

Shaded cell A_ENUM# applies to Domain A; Domain B signal B_ENUM#.

Signals RSV are not connected.

Signals beginning with _BRSV are bussed, but not used.

Signals enclosed in parentheses () are not used

Table 6-20. P1 Connector, CPU Slots 7 and 9 (continued)

POS	Row Z	Row A	Row B	Row C	Row D	Row E	Row F
18	GND	_SERR#	GND	3.3V	_PAR	_C/BE[1]	GND
17	GND	3.3V	_SDONE	_SBO#	GND	_PERR#	GND
16	GND	_DEVSE L#	GND	VIO	_STOP#	_LOCK#	GND
15	GND	3.3V	_FRAME #	_IRDY#	BD_SEL [n]#	_TRDY#	GND
14-12	KEY AREA						
11	GND	_AD[18]	_AD[17]	_AD[16]	GND	_C/BE[2] #	GND
10	GND	_AD[21]	GND	3.3V	_AD[20]	_AD[19]	GND
9	GND	_C/BE[3]	_IDSEL	_AD[23]	GND	_AD[22]	GND
8	GND	_AD[26]	GND	VIO	_AD[25]	_AD[24]	GND
7	GND	_AD[30]	_AD[29]	_AD[28]	GND	_AD[27]	GND
6	GND	(REQ#)	GND	3.3V	(CLK)	_AD[31]	GND
5	GND	_BRSVP 1A5	_BRSVP 1B5	RST[N]#	GND	(GNT#)	GND
4	GND	_BRSVP 1A4	HLTY[N] #	VIO	_INTP	_INTS	GND
3	GND	_INTA#	_INTB#	_INTC#	5V	_INTD#	GND
<p>Signals beginning with an underscore () are prefixed with the bus name: *For boards located in slot 7 (Domain A), the signal name is prefixed with PCI_A (for example, PCI_A_AD[49]). *For boards located in slot 9 (Domain B), the signal name is prefixed with PCI_B (for example, PCI_B_AD[49]). Shaded cell A_ENUM# applies to Domain A; Domain B signal B_ENUM#. Signals RSV are not connected. Signals beginning with _BRVS are bussed, but not used. Signals enclosed in parentheses () are not used</p>							

Table 6-20. P1 Connector, CPU Slots 7 and 9 (continued)

POS	Row Z	Row A	Row B	Row C	Row D	Row E	Row F
2	GND	TCK	5V	TMS	TDO	TDI	GND
1	GND	5V	-12V	TRST#	+12V	5V	GND

Signals beginning with an underscore (_) are prefixed with the bus name:
 *For boards located in slot 7 (Domain A), the signal name is prefixed with PCI_A (for example, PCI_A_AD[49]).
 *For boards located in slot 9 (Domain B), the signal name is prefixed with PCI_B (for example, PCI_B_AD[49]).
 Shaded cell A_ENUM# applies to Domain A; Domain B signal B_ENUM#.
 Signals RSV are not connected.
 Signals beginning with _BRSV are bussed, but not used.
 Signals enclosed in parentheses () are not used

Secondary (Rear) Side I/O Connectors

Note I/O slot connectors P2 and P1 do not connect through to the transition module.

Table 6-21. P5 Connector, I/O Slots 1-6 and 11-16 (User I/O)

POS	Row Z	Row A	Row B	Row C	Row D	Row E	Row F
22-1	GND	I/O	I/O	I/O	I/O	I/O	GND
<i>All I/O pins pass through the backplane to the transition module, they do not make any connection to the backplane.</i>							

6

Table 6-22. P4 Connector, I/O Slots 1-6 and 11-16 (User I/O)

POS	Row Z	Row A	Row B	Row C	Row D	Row E	Row F
25-15	GND	I/O	I/O	I/O	I/O	I/O	GND
14	KEY AREA						
13							
12							
11-1	GND	I/O	I/O	I/O	I/O	I/O	GND
<i>All I/O pins pass through the backplane to the transition module, they do not make any connection to the backplane.</i>							

Table 6-23. P3 Connector, I/O Slots 1-6 and 11-16 (User I/O)

POS	Row Z	Row A	Row B	Row C	Row D	Row E	Row F
19-1	GND	I/O	I/O	I/O	I/O	I/O	GND
<i>All I/O pins pass through the backplane to the transition module, they do not make any connection to the backplane.</i>							

CPU Transition Module Connectors (Transition Slots 7 and 9)

Note CPU transition module connectors P4, P2, and P1 are not connected.

Table 6-24. P5 Connector, CPU Transition Module Slots

POS	Row Z	Row A	Row B	Row C	Row D	Row E	Row F
22	GND	I/O	I/O	I/O	I/O	I/O	GND
21	GND	I/O	I/O	I/O	I/O	I/O	GND
20	GND	I/O	I/O	I/O	I/O	I/O	GND
19	GND	I/O	I/O	I/O	I/O	I/O	GND
18	GND	I/O	I/O	I/O	I/O	I/O	GND
17	GND	I/O	I/O	I/O	I/O	I/O	GND
16	GND	I/O	I/O	I/O	I/O	I/O	GND
15	GND	I/O	I/O	I/O	I/O	I/O	GND
14	GND	I/O	I/O	I/O	I/O	I/O	GND
13	GND	I/O	I/O	I/O	I/O	I/O	GND
12	GND	I/O	I/O	I/O	I/O	I/O	GND
11	GND	I/O	I/O	I/O	I/O	I/O	GND
10	GND	RSVD	RSVD	RSVD	RSVD	RSVD	GND
9	GND	RSVD	RSVD	RSVD	RSVD	RSVD	GND
8	GND	RSVD	RSVD	RSVD	RSVD	RSVD	GND
7	GND	RSVD	RSVD	RSVD	RSVD	RSVD	GND

All I/O pins pass through the backplane; they do not make any connection to the backplane.

All RSVD pins are internally connected and pass through. They are reserved for the IDE and Floppy drive signals; the transition module should avoid connections to these pins.

Table 6-24. P5 Connector, CPU Transition Module Slots

POS	Row Z	Row A	Row B	Row C	Row D	Row E	Row F
6	GND	RSVD	I/O	RSVD	RSVD	RSVD	GND
5	GND	RSVD	RSVD	RSVD	RSVD	RSVD	GND
4	GND	RSVD	RSVD	I/O	RSVD	RSVD	GND
3	GND	RSVD	RSVD	RSVD	RSVD	RSVD	GND
2	GND	RSVD	RSVD	RSVD	RSVD	RSVD	GND
1	GND	I/O	RSVD	RSVD	RSVD	RSVD	GND

All I/O pins pass through the backplane; they do not make any connection to the backplane.

All RSVD pins are internally connected and pass through. They are reserved for the IDE and Floppy drive signals; the transition module should avoid connections to these pins.

Table 6-25. P3 Connector, CPU Transition Slots 7 and 9

POS	Row Z	Row A	Row B	Row C	Row D	Row E	Row F
19	GND	I/O	I/O	I/O	I/O	I/O	GND
18	GND	RSVD	I/O	I/O	I/O	I/O	GND
17	GND	RSVD	I/O	I/O	I/O	I/O	GND
16	GND	RSVD	I/O	I/O	I/O	I/O	GND
15	GND	RSVD	I/O	I/O	I/O	I/O	GND
14-1	GND	I/O	I/O	I/O	I/O	I/O	GND

All I/O pins pass through the backplane, they do not make any connection to the backplane.

All RSVD pins are internally connected and pass through. They are reserved for the IDE and Floppy drive signals; the transition module should avoid connections to these pins.

Hot Swap Controller/Bridge Connectors (Transition Slots 8 and 10)

The Hot Swap Controller/Bridge for Domain A resides in transition module slot 10. The Hot Swap Controller/Bridge for Domain B resides in transition module slot 8.

Table 6-26. P5 Connector, HSC/Bridge (Slots 8 and 10)

POS	Row Z	Row A	Row B	Row C	Row D	Row E	Row F
22-1	GND	RSVD	RSVD	RSVD	RSVD	RSVD	GND
Connector P5 is reserved for future use.							

6

Table 6-27. P4 Connector, HSC/Bridge (Slots 8 and 10)

POS	Row Z	Row A	Row B	Row C	Row D	Row E	Row F
25	GND	_AD36	_AD35	_AD34	_AD33	_AD32	GND
24	GND	_AD40	_AD39	_AD38	_GND	_AD37	GND
23	GND	_AD45	_AD44	_AD43	_AD42	_AD41	GND
22	GND	_AD49	_+3.3	_AD48	_AD47	_AD46	GND
21	GND	_AD53	_AD52	_AD51	_GND	_AD50	GND
20	GND	_AD57	_+3.3	_AD56	_AD55	_AD54	GND
19	GND	_AD61	_AD60	_AD59	_GND	_AD58	GND
18	GND	_CBE4#	_+3.3	_PAR64	_AD63	_AD62	GND

The _GND, _+5 and _+3 in the shaded cells are provided by the CPU board; they are not connected to the system power plane. These signals are prefixed with CPUA if the board resides in slot 10 or CPUB if the board resides in slot 8 (for example, CPUA_+5).

Unshaded signals beginning with an underscore (_) are prefixed with the local PCI bus name:

*For boards located in slot 10 (Domain A), the signal name is prefixed with L_PCI_A (for example, L_PCI_A_AD17).

*For boards located in slot 8 (Domain B), the signal name is prefixed with L_PCI_B (for example, L_PCI_B_AD17).

Table 6-27. P4 Connector, HSC/Bridge (Slots 8 and 10) (continued)

POS	Row Z	Row A	Row B	Row C	Row D	Row E	Row F
17	GND	_REQ64#	_CBE7#	_CBE6#	_GND	_CBE5#	GND
16	GND	_AD2	_ <u>+3.3</u>	_AD1	_AD0	_ACK64#	GND
15	GND	_AD6	_AD5	_AD4	_GND	_AD3	GND
14-12	KEY AREA						
11	GND	_AD9	_AD8	_CBE0#	_GND	_AD7	GND
10	GND	_AD13	_ <u>+5</u>	_AD12	_AD11	_AD10	GND
9	GND	_PAR	_CBE1#	_AD15	_GND	_AD14	GND
8	GND	_STOP#	_ <u>+5</u>	_LOCK#	_PERR#	_SERR#	GND
7	GND	_FRAME#	_IRDY#	_TRDY#	_GND	_DEVSEL#	GND
6	GND	_AD18	_ <u>+5</u>	_AD17	_AD16	CBE2#	GND
5	GND	_AD21	_CLK	_AD20	_GND	_AD19	GND
4	GND	_CBE3#	_ <u>+5</u>	_IDSEL	_AD23	_AD22	GND
3	GND	_AD28	_AD27	_AD26	_AD25	_AD24	GND
2	GND	_GNT#	_REQ#	_AD31	_AD30	_AD29	GND
1	GND	_INTA#	_INTB#	_INTC#	_INTD#	_RST#	GND
<p>The _GND, _+5 and _+3 in the shaded cells are provided by the CPU board; they are not connected to the system power plane. These signals are prefixed with CPUA if the board resides in slot 10 or CPUB if the board resides in slot 8 (for example, CPUA_+5).</p> <p>Unshaded signals beginning with an underscore () are prefixed with the local PCI bus name:</p> <p>*For boards located in slot 10 (Domain A), the signal name is prefixed with L_PCI_A (for example, L_PCI_A_AD17).</p> <p>*For boards located in slot 8 (Domain B), the signal name is prefixed with L_PCI_B (for example, L_PCI_B_AD17).</p>							

Table 6-28. P3 Connector, HSC Slots 8 and 10

POS	Row Z	Row A	Row B	Row C	Row D	Row E	Row F
19	GND	A/B#	ALM_B_5 V	INT_HSC_ 2	Per3_Pwr_ ON#	Per1_Pwr_ ON#	GND
18	GND	HS_REQ_ B	HS_REQ_ A	INT_HSC_ 1	Per3_LED1 #	Per1_LED1 #	GND
17	GND	HS_GNT_ B	HS_GNT_ A	INT_HSC_ 4	Per3_LED2 #	Per1_LED2 #	GND
16	GND	HS_FLT_B	HS_FLT_A	INT_HSC_ 3	Per3_PSN T_B#	Per1_PSN T_B#	GND
15	GND	HS_EJ_B	HS_EJ_A	INT_HSC_ 6	Per4_Pwr_ ON#	Per2_Pwr_ ON#	GND
14	GND	INT_HSC_ 8	INT_HSC_ 7	INT_HSC_ 5	Per4_LED1 #	Per2_LED1 #	GND
13	GND	A_CLK	A_DOUT#	PS_1_DIN #	Per4_LED2 #	Per2_LED2 #	GND
12	GND	B_CLK	B_DOUT#	PS_2_DIN #	Per4_PSN T_B#	Per2_PSN T_B#	GND
11	GND	ALM_A_F RAME#	PS_1_FRA ME#	PS_3_DIN #	ALM_A_D IN#		GND
10	GND	ALM_B_F RAME#	PS_2_FRA ME#	PS_3_FRA ME#		B_ENUM#	GND
9	GND	RST3#	RST6#	HLTY10#	RST16#	RST13#	GND
8	GND	RST2#	RST5#	HLTY9#	RST15#	RST12#	GND
7	GND	RST1#	RST4#	HLTY8#	RST14#	RST11#	GND
6	GND	BD_SEL6#	HLTY6#	HLTY7#	HLTY16#	BD_SEL16 #	GND
<p>A/B# GND Domain B (slot 8). ALM_B_5V in Domain B (slot 8); ALM_A_5V in Domain A (slot 10). B_ENUM# in Domain B (slot 8); A_ENUM in Domain A (slot 10). BD_SEL7# in Domain B, BD_SEL9# in Domain A.</p>							

Table 6-28. P3 Connector, HSC Slots 8 and 10 (continued)

POS	Row Z	Row A	Row B	Row C	Row D	Row E	Row F
5	GND	BD_SEL5#	HLTY5#	BD_SEL7#	HLTY15#	BD_SEL15#	GND
4	GND	BD_SEL4#	HLTY4#	RST10#	HLTY14#	BD_SEL14#	GND
3	GND	BD_SEL3#	HLTY3#	RST9#	HLTY13#	BD_SEL13#	GND
2	GND	BD_SEL2#	HLTY2#	RST8#	HLTY12#	BD_SEL12#	GND
1	GND	BD_SEL1#	HLTY1#	RST7#	HLTY11#	BD_SEL11#	GND
<p>A/B# GND Domain B (slot 8). ALM_B_5V in Domain B (slot 8); ALM_A_5V in Domain A (slot 10). B_ENUM# in Domain B (slot 8); A_ENUM in Domain A (slot 10). BD_SEL7# in Domain B, BD_SEL9# in Domain A.</p>							

Table 6-29. P2 Connector, HSC Slot 10

POS	Row Z	Row A	Row B	Row C	Row D	Row E	Row F
22	GND	GA4	GA3	GA2	GA1	GA0	GND
21	GND	CLK6	GND	RSV	RSV	RSV	GND
20	GND	CLK5	GND	RSV	GND	RSV	GND
19	GND	GND	GND	RSV	RSV	RSV	GND
18	GND	_BRSVP2 A18	_BRSVP2 B18	_BRSVP2 C18	GND	_BRSVP2 E18	GND
17	GND	_BRSVP2 A17	GND	(_PRST#)	_REQ6#	GNT6#	GND
<p>Signals beginning with an underscore (_) are prefixed with the bus name PCI_B (for example, PCI_B_AD[49]). Signals in parentheses are not used.</p>							

Table 6-29. P2 Connector, HSC Slot 10 (continued)

POS	Row Z	Row A	Row B	Row C	Row D	Row E	Row F
16	GND	_BRSVP2 A16	_BRSVP2 B16	(_DEG#)	GND	_BRSVP2 E16	GND
15	GND	_BRSVP2 A15	GND	(_FAL#)	REQ5#	GNT5#	GND
14	GND	_AD[35]	_AD[34]	_AD[33]	GND	_AD[32]	GND
13	GND	_AD[38]	GND	VIO	_AD[37]	_AD[36]	GND
12	GND	_AD[42]	_AD[41]	_AD[40]	GND	_AD[39]	GND
11	GND	_AD[45]	GND	VIO	_AD[44]	_AD[43]	GND
10	GND	_AD[49]	_AD[48]	_AD[47]	GND	_AD[46]	GND
9	GND	_AD[52]	GND	VIO	_AD[51]	_AD[50]	GND
8	GND	_AD[56]	_AD[55]	_AD[54]	GND	_AD[53]	GND
7	GND	_AD[59]	GND	VIO	_AD[58]	_AD[57]	GND
6	GND	_AD[63]	_AD[62]	_AD[61]	GND	_AD[60]	GND
5	GND	_C/BE[5]#	GND	VIO	C/BE[4]#	_PAR64	GND
4	GND	VIO	_BRSVP2 B4	_C/BE[7]#	GND	_C/BE[6]	GND
3	GND	CLK4	GND	GNT3#	REQ4#	GNT4#	GND
2	GND	CLK2	CLK3	_SYSEN#	GNT2#	REQ3#	GND
1	GND	CLK1	GND	REQ1#	GNT1#	REQ2#	GND
<p>Signals beginning with an underscore (_) are prefixed with the bus name PCI_B (for example, PCI_B_AD[49]).</p> <p>Signals in parentheses are not used.</p>							

Table 6-30. P2 Connector, HSC Slot 8

POS	Row Z	Row A	Row B	Row C	Row D	Row E	Row F
22	GND	GA4	GA3	GA2	GA1	GA0	GND
21	GND	CLK16	GND	RSV	RSV	RSV	GND
20	GND	CLK15	GND	RSV	GND	RSV	GND
19	GND	GND	GND	RSV	RSV	RSV	GND
18	GND	_BRSVP2 A18	_BRSVP2 B18	_BRSVP2 C18	GND	_BRSVP2 E18	GND
17	GND	_BRSVP2 A17	GND	(_PRST#)	_REQ16#	GNT16#	GND
16	GND	_BRSVP2 A16	_BRSVP2 B16	(_DEG#)	GND	_BRSVP2 E16	GND
15	GND	_BRSVP2 A15	GND	(_FAL#)	REQ15#	GNT15#	GND
14	GND	_AD[35]	_AD[34]	_AD[33]	GND	_AD[32]	GND
13	GND	_AD[38]	GND	VIO	_AD[37]	_AD[36]	GND
12	GND	_AD[42]	_AD[41]	_AD[40]	GND	_AD[39]	GND
11	GND	_AD[45]	GND	VIO	_AD[44]	_AD[43]	GND
10	GND	_AD[49]	_AD[48]	_AD[47]	GND	_AD[46]	GND
9	GND	_AD[52]	GND	VIO	_AD[51]	_AD[50]	GND
8	GND	_AD[56]	_AD[55]	_AD[54]	GND	_AD[53]	GND
7	GND	_AD[59]	GND	VIO	_AD[58]	_AD[57]	GND
6	GND	_AD[63]	_AD[62]	_AD[61]	GND	_AD[60]	GND
5	GND	_C/BE[5]#	GND	VIO	C/BE[4]#	_PAR64	GND
4	GND	VIO	_BRSVP2 B4	_C/BE[7]#	GND	_C/BE[6]	GND
3	GND	CLK14	GND	GNT13#	REQ14#	GNT14#	GND
<p>Signals beginning with an underscore (_) are prefixed with the bus name PCI_A (for example, PCI_A_AD[49]).</p> <p>Signals in parentheses are not used.</p>							

Table 6-30. P2 Connector, HSC Slot 8 (continued)

POS	Row Z	Row A	Row B	Row C	Row D	Row E	Row F
2	GND	CLK12	CLK13	_SYSEN#	GNT12#	REQ13#	GND
1	GND	CLK11	GND	REQ11#	GNT11#	REQ12#	GND
<p>Signals beginning with an underscore (_) are prefixed with the bus name PCI_A (for example, PCI_A_AD[49]).</p> <p>Signals in parentheses are not used.</p>							

Table 6-31. P1 Connector, HSC Slots 8 and 10

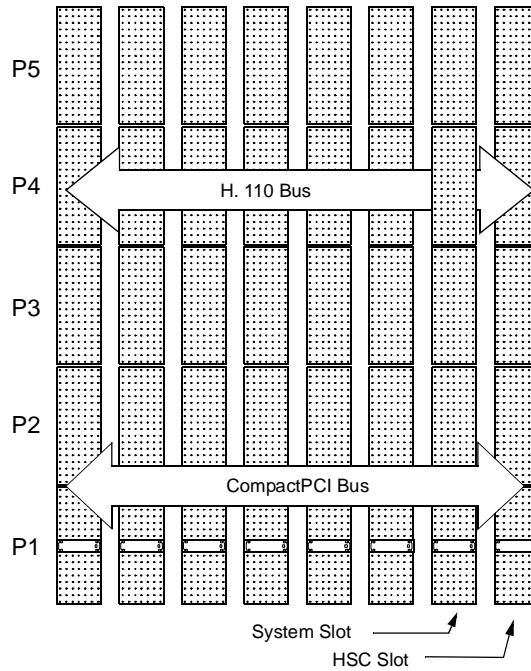
POS	Row Z	Row A	Row B	Row C	Row D	Row E	Row F
25	GND	5V	_REQ64#	A_ENUM#	3.3V	5V	GND
24	GND	_AD[1]	5V	VIO	_AD[0]	_ACK64#	GND
23	GND	3.3V	_AD[4]	_AD[3]	5V	_AD[2]	GND
22	GND	_AD[7]	GND	3.3V	_AD[6]	_AD[5]	GND
21	GND	3.3V	_AD[9]	_AD[8]	_M66EN	_C/BE[0]#	GND
20	GND	_AD[12]	GND	VIO	_AD[11]	_AD[10]	GND
19	GND	3.3V	_AD[15]	_AD[14]	GND	_AD[13]	GND
18	GND	_SERR#	GND	3.3V	_PAR	_C/BE[1]	GND
17	GND	3.3V	_SDONE	_SBO#	GND	_PERR#	GND
16	GND	_DEVSEL #	GND	VIO	_STOP#	_LOCK#	GND
15	GND	3.3V	_FRAME#	_IRDY#	BD_SEL[n]]#	_TRDY#	GND
14- 12	KEY AREA						
11	GND	_AD[18]	_AD[17]	_AD[16]	GND	_C/BE[2]#	GND
10	GND	_AD[21]	GND	3.3V	_AD[20]	_AD[19]	GND
9	GND	_C/BE[3]	_IDSEL	_AD[23]	GND	_AD[22]	GND
A_ENUM# in Domain A (slot 10); B_ENUM# in Domain B (slot 8).							

Table 6-31. P1 Connector, HSC Slots 8 and 10 (continued)

POS	Row Z	Row A	Row B	Row C	Row D	Row E	Row F
8	GND	_AD[26]	GND	VIO	_AD[25]	_AD[24]	GND
7	GND	_AD[30]	_AD[29]	_AD[28]	GND	_AD[27]	GND
6	GND	REQ[N]#	GND	3.3V	CLK[N]	_AD[31]	GND
5	GND	_BRSVP1 A5	_BRSVP1 B5	RST[N]#	GND	GNT[N]#	GND
4	GND	_BRSVP1 A4	HLTY[N]#	VIO	_INTP	_INTS	GND
3	GND	_INTA#	_INTB#	_INTC#	5V	_INTD#	GND
2	GND	TCK	5V	TMS	TDO	TDI	GND
1	GND	5V	-12V	TRST#	+12V	5V	GND
A_ENUM# in Domain A (slot 10); B_ENUM# in Domain B (slot 8).							

H.110 Bus Connectors—CPX8216T System Only

On each domain, the H.110 bus passes through connector P4 across the I/O and HSC slots. It does not connect to the CPU slot (see Figure 6-6).



2557 9906

Figure 6-6. The CPX8216T H.110 Bus

Primary (Front) Side I/O Connectors

The tables in the next few sections provide pin assignments for all I/O, HSC and CPU slots. For further connector pinouts, refer to the table below.

Pinout Information for See: Connector:

P5	Table 6-10 on page 6-12
P4	Table 6-32 on page 6-38
P3	Table 6-12 on page 6-12
P2	Table 6-13 on page 6-13
P1	Table 6-14 on page 6-14

Primary (Front) Side (Slots 1-6 and 11-16)

The I/O connectors for slots 1-6 and 11-16, except for the P4 connector, which carries the H.110 bus, use the same pinouts as the standard CPX8216 backplane.

Table 6-32. P4 Connector, I/O Slots 1-6, 11-16

POS	Row Z	Row A	Row B	Row C	Row D	Row E	Row F
25	NP	SGA4	SGA3	SGA2	SGA1	SGA0	FG
24	NP	GA4	GA3	GA2	GA1	GA0	FG
23	NP	+12V	CT_RST[n]#	CT_EN[n]#	-12V	CT_MC	FG
22	NP	PSF0#	RSVD	RSVD	RSVD	RSVD	FG

NP=Not Populated. P4 implements the full H.110 Bus connections, which requires P4 to use depopulated connectors.

CT_RST1# through CT_RST6# are routed radially to the bridge slots.

CT_EN1# is connected to BD_SEL1# on the backplane, and so forth.

[n]=n is the slot number.

Refer to the H.110 specifications for line terminations.

Table 6-32. P4 Connector, I/O Slots 1-6, 11-16 (continued)

POS	Row Z	Row A	Row B	Row C	Row D	Row E	Row F
21	NP	-SELVbat	PSF1#	RSVD	RSVD	SELVbat RTN	FG
20	NP	NP	NP	NP	NP	NP	NP
19	NP	NP	NP	NP	NP	NP	NP
18	NP	VRG	NP	NP	NP	VRG RTN	NP
17	NP	NP	NP	NP	NP	NP	NP
16	NP	NP	NP	NP	NP	NP	NP
15	NP	-Vbat	NP	NP	NP	Vbat RTN	NP
14-12	KEY AREA						
11	NP	CT_D29	CT_D30	CT_D31	V(I/O)	CT_FRAME_A#	GND
10	NP	CT_D27	+3.3V	CT_D28	+5V	CT_FRAME_B#	GND
9	NP	CT_D24	CT_D25	CT_D26	GND	FR_COMP#	GND
8	NP	CT_D21	CT_D22	CT_D23	+5V	CT_C8_A	GND
7	NP	CT_D19	+5V	CT_D23	GND	CT_C8_A	GND
6	NP	CT_D16	CT_D17	CT_D18	GND	CT_NETREF_1	GND
5	NP	CT_D13	CT_D14	CT_D15	+3.3V	CT_NETREF_2	GND
4	NP	CT_D11	+5V	CT_D12	+3.3V	SCLK	GND
3	NP	CT_D8	CT_D9	CT_D10	GND	SCLK-D	GND
2	NP	CT_D4	CT_D5	CT_D6	CT_D7	GND	GND
1	NP	CT_D0	+3.3V	CT_D1	CT_D2	CT_D3	GND
<p>NP=Not Populated. P4 implements the full H.110 Bus connections, which requires P4 to use depopulated connectors.</p> <p>CT_RST1# through CT_RST6# are routed radially to the bridge slots.</p> <p>CT_EN1# is connected to BD_SEL1# on the backplane, and so forth.</p> <p>[n]=n is the slot number.</p> <p>Refer to the H.110 specifications for line terminations.</p>							

Primary (Front) Side CPU Connectors

The CPU connectors on the CPX8216T H.110 backplane use the same pinouts as the CPX8216 standard backplane.

**For Pinout Information See:
for Connector:**

P5	Table 6-15 on page 6-17
P4	Table 6-16 on page 6-18
P3	Table 6-17 on page 6-20
P2-Domain A	Table 6-18 on page 6-20
P2-Domain B	Table 6-19 on page 6-22
P1	Table 6-20 on page 6-23

Primary (Front) Side HSC Connectors

The HSC/Bridge slot is unique. All five connectors (P5 through P1) use standard tails, and none of the connectors pass through to the rear.

Table 6-33. P5 Connector, HSC/Bridge (Slots 8 and 10)

POS	Row Z	Row A	Row B	Row C	Row D	Row E	Row F
25	GND	_AD36	_AD35	_AD34	_AD33	_AD32	GND
24	GND	_AD40	_AD39	_AD38	_GND	_AD37	GND
23	GND	_AD45	_AD44	_AD43	_AD42	_AD41	GND
22	GND	_AD49	_+3.3	_AD48	_AD47	_AD46	GND

The _GND, _+5 and _+3 in the shaded cells are provided by the CPU board; they are not connected to the system power plane. These signals are prefixed with CPUA if the board resides in slot 10 or CPUB if the board resides in slot 8 (for example, CPUA_+5).

Unshaded signals beginning with an underscore (_) are prefixed with the local PCI bus name:

*For boards located in slot 10 (Domain A), the signal name is prefixed with L_PCI_A (for example, L_PCI_A_AD17).

*For boards located in slot 8 (Domain B), the signal name is prefixed with L_PCI_B (for example, L_PCI_B_AD17).

Table 6-33. P5 Connector, HSC/Bridge (Slots 8 and 10) (continued)

POS	Row Z	Row A	Row B	Row C	Row D	Row E	Row F
21	GND	_AD53	_AD52	_AD51	_GND	_AD50	GND
20	GND	_AD57	_+3.3	_AD56	_AD55	_AD54	GND
19	GND	_AD61	_AD60	_AD59	_GND	_AD58	GND
18	GND	_CBE4#	_+3.3	_PAR64	_AD63	_AD62	GND
17	GND	_REQ64#	_CBE7#	_CBE6#	_GND	_CBE5#	GND
16	GND	_AD2	_+3.3	_AD1	_AD0	_ACK64#	GND
15	GND	_AD6	_AD5	_AD4	_GND	_AD3	GND
14-12	KEY AREA						
11	GND	_AD9	_AD8	_CBE0#	_GND	_AD7	GND
10	GND	_AD13	_+5	_AD12	_AD11	_AD10	GND
9	GND	_PAR	_CBE1#	_AD15	_GND	_AD14	GND
8	GND	_STOP#	_+5	_LOCK#	_PERR#	_SERR#	GND
7	GND	_FRAME#	_IRDY#	_TRDY#	_GND	_DEVSEL#	GND
6	GND	_AD18	_+5	_AD17	_AD16	CBE2#	GND
5	GND	_AD21	_CLK	_AD20	_GND	_AD19	GND
4	GND	_CBE3#	_+5	_IDSEL	_AD23	_AD22	GND
3	GND	_AD28	_AD27	_AD26	_AD25	_AD24	GND
<p>The _GND, _+5 and _+3 in the shaded cells are provided by the CPU board; they are not connected to the system power plane. These signals are prefixed with CPUA if the board resides in slot 10 or CPUB if the board resides in slot 8 (for example, CPUA_+5).</p> <p>Unshaded signals beginning with an underscore () are prefixed with the local PCI bus name:</p> <p>*For boards located in slot 10 (Domain A), the signal name is prefixed with L_PCI_A (for example, L_PCI_A_AD17).</p> <p>*For boards located in slot 8 (Domain B), the signal name is prefixed with L_PCI_B (for example, L_PCI_B_AD17).</p>							

Table 6-33. P5 Connector, HSC/Bridge (Slots 8 and 10) (continued)

POS	Row Z	Row A	Row B	Row C	Row D	Row E	Row F
2	GND	_GNT#	_REQ#	_AD31	_AD30	_AD29	GND
1	GND	_INTA#	_INTB#	_INTC#	_INTD#	_RST#	GND

The _GND, _+5 and _+3 in the shaded cells are provided by the CPU board; they are not connected to the system power plane. These signals are prefixed with CPUA if the board resides in slot 10 or CPUB if the board resides in slot 8 (for example, CPUA_+5).

Unshaded signals beginning with an underscore () are prefixed with the local PCI bus name:

*For boards located in slot 10 (Domain A), the signal name is prefixed with L_PCI_A (for example, L_PCI_A_AD17).

*For boards located in slot 8 (Domain B), the signal name is prefixed with L_PCI_B (for example, L_PCI_B_AD17).

6

Table 6-34. P4 Connector, HSC Slots 8 and 10

POS	Row Z	Row A	Row B	Row C	Row D	Row E	Row F
25	NP	SGA4	SGA3	SGA2	SGA1	SGA0	FG
24	NP	GA4	GA3	GA2	GA1	GA0	FG
23	NP	+12V	CT_RST[n]#	CT_EN[n]#	-12V	CT_MC	FG
22	NP	PSF0#	RSVD	RSVD	RSVD	RSVD	FG
21	NP	-SELVbat	PSF1#	RSVD	RSVD	SELVbat RTN	FG
20	NP	NP	NP	NP	NP	NP	NP
19	NP	NP	NP	NP	NP	NP	NP
18	NP	VRG	NP	NP	NP	VRG RTN	NP

NP=Not Populated. P4 implements the full H.110 Bus connections, which requires P4 to use depopulated connectors.

CT_RST1# through CT_RST6# are routed radially to the bridge slots.

CT_EN1# is connected to BD_SEL1# on the backplane, and so forth.

[n]=n is the slot number.

Refer to the H.110 specifications for line terminations.

Table 6-34. P4 Connector, HSC Slots 8 and 10 (continued)

POS	Row Z	Row A	Row B	Row C	Row D	Row E	Row F
17	NP	NP	NP	NP	NP	NP	NP
16	NP	NP	NP	NP	NP	NP	NP
15	NP	-Vbat	NP	NP	NP	Vbat RTN	NP
14-12	KEY AREA						
11	NP	CT_D29	CT_D30	CT_D31	V(I/O)	CT_FRAME_A#	GND
10	NP	CT_D27	+3.3V	CT_D28	+5V	CT_FRAME_B#	GND
9	NP	CT_D24	CT_D25	CT_D26	GND	FR_COMP#	GND
8	NP	CT_D21	CT_D22	CT_D23	+5V	CT_C8_A	GND
7	NP	CT_D19	+5V	CT_D23	GND	CT_C8_A	GND
6	NP	CT_D16	CT_D17	CT_D18	GND	CT_NETREF_1	GND
5	NP	CT_D13	CT_D14	CT_D15	+3.3V	CT_NETREF_2	GND
4	NP	CT_D11	+5V	CT_D12	+3.3V	SCLK	GND
3	NP	CT_D8	CT_D9	CT_D10	GND	SCLK-D	GND
2	NP	CT_D4	CT_D5	CT_D6	CT_D7	GND	GND
1	NP	CT_D0	+3.3V	CT_D1	CT_D2	CT_D3	GND
<p>NP=Not Populated. P4 implements the full H.110 Bus connections, which requires P4 to use depopulated connectors.</p> <p>CT_RST1# through CT_RST6# are routed radially to the bridge slots.</p> <p>CT_EN1# is connected to BD_SEL1# on the backplane, and so forth.</p> <p>[n]=n is the slot number.</p> <p>Refer to the H.110 specifications for line terminations.</p>							

Table 6-35. P3 Connector, HSC Slots 8 and 10

POS	Row Z	Row A	Row B	Row C	Row D	Row E	Row F
19	GND	A/B#	ALM_B_5V	INT_HSC_2	Per3_Pwr_ON#	Per1_Pwr_ON#	GND
18	GND	HS_REQ_B	HS_REQ_A	INT_HSC_1	Per3_LED1#	Per1_LED1#	GND
17	GND	HS_GNT_B	HS_GNT_A	INT_HSC_4	Per3_LED2#	Per1_LED2#	GND
16	GND	HS_FLT_B	HS_FLT_A	INT_HSC_3	Per3_PSNT_B#	Per1_PSNT_B#	GND
15	GND	HS_EJ_B	HS_EJ_A	INT_HSC_6	Per4_Pwr_ON#	Per2_Pwr_ON#	GND
14	GND	INT_HSC_8	INT_HSC_7	INT_HSC_5	Per4_LED1#	Per2_LED1#	GND
13	GND	A_CLK	A_DOUT#	PS_1_DIN#	Per4_LED2#	Per2_LED2#	GND
12	GND	B_CLK	B_DOUT#	PS_2_DIN#	Per4_PSNT_B#	Per2_PSNT_B#	GND
11	GND	ALM_A_FRAME#	PS_1_FRAME#	PS_3_DIN#	ALM_A_DIN#		GND
10	GND	ALM_B_FRAME#	PS_2_FRAME#	PS_3_FRAME#		B_ENUM#	GND
9	GND	RST3#	RST6#	HLTY10#	RST16#	RST13#	GND
8	GND	RST2#	RST5#	HLTY9#	RST15#	RST12#	GND
7	GND	RST1#	RST4#	HLTY8#	RST14#	RST11#	GND
6	GND	BD_SEL6#	HLTY6#	HLTY7#	HLTY16#	BD_SEL16#	GND
<p>A/B# GND Domain B (slot 8). ALM_B_5V in Domain B (slot 8); ALM_A_5V in Domain A (slot 10). B_ENUM# in Domain B (slot 8); A_ENUM in Domain A (slot 10). BD_SEL7# in Domain B, BD_SEL9# in Domain A.</p>							

Table 6-35. P3 Connector, HSC Slots 8 and 10 (continued)

POS	Row Z	Row A	Row B	Row C	Row D	Row E	Row F
5	GND	BD_SEL5#	HLTY5#	BD_SEL7#	HLTY15#	BD_SEL15#	GND
4	GND	BD_SEL4#	HLTY4#	RST10#	HLTY14#	BD_SEL14#	GND
3	GND	BD_SEL3#	HLTY3#	RST9#	HLTY13#	BD_SEL13#	GND
2	GND	BD_SEL2#	HLTY2#	RST8#	HLTY12#	BD_SEL12#	GND
1	GND	BD_SEL1#	HLTY1#	RST7#	HLTY11#	BD_SEL11#	GND

A/B# GND Domain B (slot 8).
 ALM_B_5V in Domain B (slot 8); ALM_A_5V in Domain A (slot 10).
 B_ENUM# in Domain B (slot 8); A_ENUM in Domain A (slot 10).
 BD_SEL7# in Domain B, BD_SEL9# in Domain A.

6

Table 6-36. P2 Connector, HSC Slot 10

POS	Row Z	Row A	Row B	Row C	Row D	Row E	Row F
22	GND	GA4	GA3	GA2	GA1	GA0	GND
21	GND	CLK6	GND	RSV	RSV	RSV	GND
20	GND	CLK5	GND	RSV	GND	RSV	GND
19	GND	GND	GND	RSV	RSV	RSV	GND
18	GND	_BR_SVP2 A18	_BR_SVP2 B18	_BR_SVP2 C18	GND	_BR_SVP2 E18	GND
17	GND	_BR_SVP2 A17	GND	(_PRST#)	_REQ6#	GNT6#	GND

Signals beginning with an underscore (_) are prefixed with the bus name PCI_B (for example, PCI_B_AD[49]).
 Signals in parentheses are not used.

Table 6-36. P2 Connector, HSC Slot 10 (continued)

POS	Row Z	Row A	Row B	Row C	Row D	Row E	Row F
16	GND	_BRSVP2 A16	_BRSVP2 B16	(_DEG#)	GND	_BRSVP2 E16	GND
15	GND	_BRSVP2 A15	GND	(_FAL#)	REQ5#	GNT5#	GND
14	GND	_AD[35]	_AD[34]	_AD[33]	GND	_AD[32]	GND
13	GND	_AD[38]	GND	VIO	_AD[37]	_AD[36]	GND
12	GND	_AD[42]	_AD[41]	_AD[40]	GND	_AD[39]	GND
11	GND	_AD[45]	GND	VIO	_AD[44]	_AD[43]	GND
10	GND	_AD[49]	_AD[48]	_AD[47]	GND	_AD[46]	GND
9	GND	_AD[52]	GND	VIO	_AD[51]	_AD[50]	GND
8	GND	_AD[56]	_AD[55]	_AD[54]	GND	_AD[53]	GND
7	GND	_AD[59]	GND	VIO	_AD[58]	_AD[57]	GND
6	GND	_AD[63]	_AD[62]	_AD[61]	GND	_AD[60]	GND
5	GND	_C/BE[5]#	GND	VIO	C/BE[4]#	_PAR64	GND
4	GND	VIO	_BRSVP2 B4	_C/BE[7]#	GND	_C/BE[6]	GND
3	GND	CLK4	GND	GNT3#	REQ4#	GNT4#	GND
2	GND	CLK2	CLK3	_SYSEN#	GNT2#	REQ3#	GND
1	GND	CLK1	GND	REQ1#	GNT1#	REQ2#	GND
<p>Signals beginning with an underscore (_) are prefixed with the bus name PCI_B (for example, PCI_B_AD[49]).</p> <p>Signals in parentheses are not used.</p>							

Table 6-37. P2 Connector, HSC Slot 8

POS	Row Z	Row A	Row B	Row C	Row D	Row E	Row F
22	GND	GA4	GA3	GA2	GA1	GA0	GND
21	GND	CLK16	GND	RSV	RSV	RSV	GND
20	GND	CLK15	GND	RSV	GND	RSV	GND
19	GND	GND	GND	RSV	RSV	RSV	GND
18	GND	_BRSVP2 A18	_BRSVP2 B18	_BRSVP2 C18	GND	_BRSVP2 E18	GND
17	GND	_BRSVP2 A17	GND	(_PRST#)	_REQ16#	GNT16#	GND
16	GND	_BRSVP2 A16	_BRSVP2 B16	(_DEG#)	GND	_BRSVP2 E16	GND
15	GND	_BRSVP2 A15	GND	(_FAL#)	REQ15#	GNT15#	GND
14	GND	_AD[35]	_AD[34]	_AD[33]	GND	_AD[32]	GND
13	GND	_AD[38]	GND	VIO	_AD[37]	_AD[36]	GND
12	GND	_AD[42]	_AD[41]	_AD[40]	GND	_AD[39]	GND
11	GND	_AD[45]	GND	VIO	_AD[44]	_AD[43]	GND
10	GND	_AD[49]	_AD[48]	_AD[47]	GND	_AD[46]	GND
9	GND	_AD[52]	GND	VIO	_AD[51]	_AD[50]	GND
8	GND	_AD[56]	_AD[55]	_AD[54]	GND	_AD[53]	GND
7	GND	_AD[59]	GND	VIO	_AD[58]	_AD[57]	GND
6	GND	_AD[63]	_AD[62]	_AD[61]	GND	_AD[60]	GND
5	GND	_C/BE[5]#	GND	VIO	C/BE[4]#	_PAR64	GND
4	GND	VIO	_BRSVP2 B4	_C/BE[7]#	GND	_C/BE[6]	GND
3	GND	CLK14	GND	GNT13#	REQ14#	GNT14#	GND

Signals beginning with an underscore (_) are prefixed with the bus name PCI_A (for example, PCI_A_AD[49]).
Signals in parentheses are not used.

Table 6-37. P2 Connector, HSC Slot 8 (continued)

POS	Row Z	Row A	Row B	Row C	Row D	Row E	Row F
2	GND	CLK12	CLK13	_SYSEN#	GNT12#	REQ13#	GND
1	GND	CLK11	GND	REQ11#	GNT11#	REQ12#	GND
<p>Signals beginning with an underscore (_) are prefixed with the bus name PCI_A (for example, PCI_A_AD[49]).</p> <p>Signals in parentheses are not used.</p>							

Table 6-38. P1 Connector, HSC Slots 8 and 10

POS	Row Z	Row A	Row B	Row C	Row D	Row E	Row F
25	GND	5V	_REQ64#	A_ENUM#	3.3V	5V	GND
24	GND	_AD[1]	5V	VIO	_AD[0]	_ACK64#	GND
23	GND	3.3V	_AD[4]	_AD[3]	5V	_AD[2]	GND
22	GND	_AD[7]	GND	3.3V	_AD[6]	_AD[5]	GND
21	GND	3.3V	_AD[9]	_AD[8]	_M66EN	_C/BE[0]#	GND
20	GND	_AD[12]	GND	VIO	_AD[11]	_AD[10]	GND
19	GND	3.3V	_AD[15]	_AD[14]	GND	_AD[13]	GND
18	GND	_SERR#	GND	3.3V	_PAR	_C/BE[1]	GND
17	GND	3.3V	_SDONE	_SBO#	GND	_PERR#	GND
16	GND	_DEVSEL#	GND	VIO	_STOP#	_LOCK#	GND
15	GND	3.3V	_FRAME#	_IRDY#	BD_SEL[n]#	_TRDY#	GND
14-12	KEY AREA						
11	GND	_AD[18]	_AD[17]	_AD[16]	GND	_C/BE[2]#	GND
A_ENUM# in Domain A (slot 10); B_ENUM# in Domain B (slot 8).							

Table 6-38. P1 Connector, HSC Slots 8 and 10 (continued)

POS	Row Z	Row A	Row B	Row C	Row D	Row E	Row F
10	GND	_AD[21]	GND	3.3V	_AD[20]	_AD[19]	GND
9	GND	_C/BE[3]	_IDSEL	_AD[23]	GND	_AD[22]	GND
8	GND	_AD[26]	GND	VIO	_AD[25]	_AD[24]	GND
7	GND	_AD[30]	_AD[29]	_AD[28]	GND	_AD[27]	GND
6	GND	REQ[N]#	GND	3.3V	CLK[N]	_AD[31]	GND
5	GND	_BRSVP1A5	_BRSVP1B5	RST[N]#	GND	GNT[N]#	GND
4	GND	_BRSVP1A4	HLTY[N]#	VIO	_INTP	_INTS	GND
3	GND	_INTA#	_INTB#	_INTC#	5V	_INTD#	GND
2	GND	TCK	5V	TMS	TDO	TDI	GND
1	GND	5V	-12V	TRST#	+12V	5V	GND
A_ENUM# in Domain A (slot 10); B_ENUM# in Domain B (slot 8).							

Secondary (Rear) Side I/O Connectors

Note I/O slot connectors P4, P2, and P1 do not connect through to the transition module.

Table 6-39. P5 Connector, I/O Slots 1-6 and 11-16 (User I/O)

POS	Row Z	Row A	Row B	Row C	Row D	Row E	Row F
22-1	GND	I/O	I/O	I/O	I/O	I/O	GND
<i>All I/O pins pass through the backplane to the transition module, they do not make any connection to the backplane.</i>							

Table 6-40. P3 Connector, I/O Slots 1-6 and 11-16 (User I/O)

POS	Row Z	Row A	Row B	Row C	Row D	Row E	Row F
19-1	GND	I/O	I/O	I/O	I/O	I/O	GND
<i>All I/O pins pass through the backplane to the transition module, they do not make any connection to the backplane.</i>							

Secondary (Rear) Side CPU Transition Module Connectors

The CPU transition module connectors use the same pinouts as the connectors in the CPX8216 standard backplane.

Note CPU connectors P4, P2, and P1 do not pass through the backplane.

For Pinout Information

for Connector:

See:

P5 [Table 6-24 on page 6-27](#)

P3 [Table 6-25 on page 6-28](#)

Alarm Display Panel

The alarm display panel provides the system LEDs and remote alarm functions for the CPX8216 and the CPX8216T. It is powered and controlled from each of the two Hot Swap Controllers within the system (see [Figure 6-7](#)).

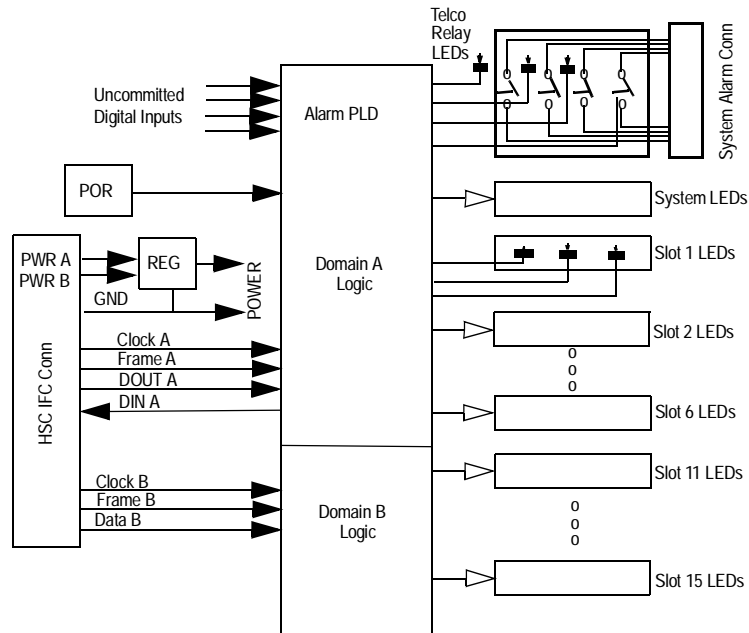


Figure 6-7. Alarm Display Panel Block Diagram

The alarm display panel features three system status LEDs, three Telco alarm status LEDs, three slot status LEDs for each slot, and an RJ-45 connector for Telco alarm status output to an external interface (see [Figure 6-8](#)). Normally, only two of the three slot status LEDs are visible—the third is covered by the panel's overlay.

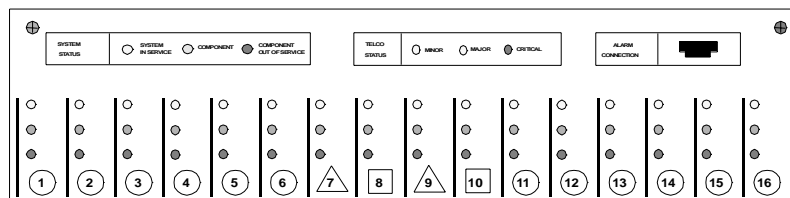


Figure 6-8. Alarm Display Panel—Front View

6

The alarm display panel LEDs are controlled by bits in the Hot Swap Controller’s register, which are set by the system software. This allows full user customization of alarm event reporting. The next table provides the color and standard nomenclature for the LEDs on the alarm panel.

Table 6-41. Alarm LED Color and Description

Alarm	LED Color	Description
Controller Board Slot Status	Green	In Service
	Yellow	N/A (or Out of Service)
	Red	Out of Service
System Status	Green	System In Service
	Yellow	Component Out of Service
	Red	System Out of Service
Telco Status	Yellow	Minor
	Red	Major
	Red	Critical

Alarm Display Panel Interface Connector (J4)

Connector J4 receives system alarm signals from the backplane connector ALARM.

Table 6-42. Alarm Display Panel Interface Connector (J4)

Pin	Signal	Pin	Signal
1	ALM_A_CLK	2	GND
3	ALM_B_CLK	4	GND
5	ALM_A_DOUT#	6	ALM_A_5V
7	ALM_B_DOUT#	8	ALM_B_5V
9	ALM_A_FRAME#	10	ALM_B_FRAME#
11	ALM_A_DIN#	12	
13		14	

6

Remote Alarm Connector (J1)

The RJ-45 remote alarm connector (J1) provides standard telco alarm signals to remote alarm equipment. The connector also has a jacket shield to protective earth ground through two separate pins (E1 and E2).

Table 6-43. Remote Alarm Connector (J1)

Pin	Signal	Signal	Pin
1	Critical Alarm	Minor Alarm	5
2	Critical Alarm Return	Minor Alarm Return	6
3	Major Alarm	Rack Alarm	7
4	Major Alarm Return	Rack Alarm Return	8

Power Distribution Panel

The power distribution panel, located in the rear of the chassis below the transition module cardcage, distributes the AC or DC input power to the system's power supplies.

There are three versions of the power distribution panel:

- AC (CPX8216)
- Dual Input DC (CPX8216)
- Dual Breaker DC (CPX8216)
- H.110 DC (CPX8216T)

The CPX8216T can be configured with AC or DC power, however only the DC version has the dual input option and the H.110 bus analog voltage inputs. The H.110 bus on P4/J4 operates without the analog voltages present, but if analog cards are being used (for example, line or trunk cards) the analog voltages are required.

If the system requires the analog H.110 bus, voltages need to use the dual DC power distribution panel. If the system requires an AC configuration, a special AC power distribution panel must be used. Contact your Motorola sales representative for information.

AC Power Distribution Panel (CPX8216)

The AC version of the panel is shown in the figure below.



Figure 6-9. AC Power Distribution Panel—Front View

Dual Input DC Power Distribution Panel (CPX8216)

The dual input DC version allows redundant input power supplies for full high-availability applications. It is recommended that each input source be independent of the other.

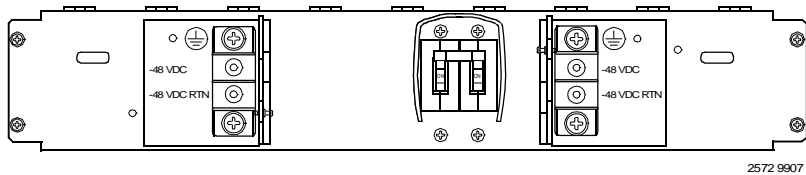
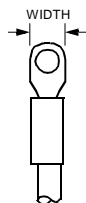


Figure 6-10. Dual Input DC Power Distribution Panel—Front View

Use 12 AWG or larger wire with a #10 ring terminal to connect the DC power source to the system.

Ring Terminal



STUD SIZE: #10

WIDTH: .490 inch (12.446 mm) or smaller

WIRE GAGE: 12AWG or bigger

Dual Breaker DC Power Distribution Panel (CPX8216)

The dual breaker 48VDC version also allows redundant input power supplies for full high-availability applications. It is recommended that each input source be independent of the other. This power distribution panel has two 30A push/pull circuit breakers and is designed for use with a Smart cable that includes breakers and additional circuitry that detect the failure of a single input DC power supply.

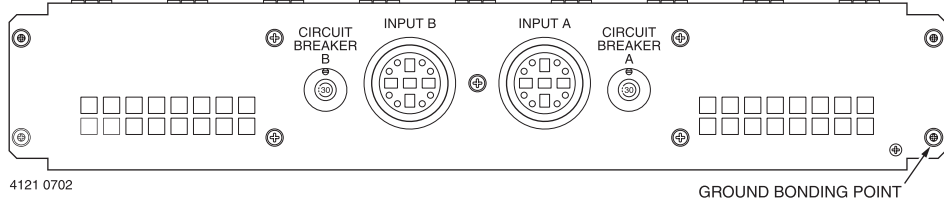


Figure 6-11. Dual Breaker DC Power Distribution Panel—Front View

The dual breaker DC power distribution panel is available without the two 30A circuit breakers, provided that circuit breaker protection is provided elsewhere and there is allowance for a rating of 30A for each feed.

Use either a standard Smart cable or the optional right-angle Smart cable (for limited space requirements) to connect the DC power source to the system. Cable length is 10 feet.

Part Number	Cable Description
30-W2750E01A	Standard Smart cable
30-W2750E03A	Right-angle Smart cable

H.110 DC Power Distribution Panel (CPX8216T)

The H.110 DC power distribution panel provides dual DC input for system power as well six additional power input connectors for the H.110 BAT and Ring Voltages. The H.110 DC power distribution panel is only compatible with the CPX8216T system.



The six H.110 power inputs must only be attached to approved Telephone Network Voltage (TNV) branch circuits. TNV branch circuits must comply with all requirements called for in these safety standards: IEC 950/EN60 950, UL #1950, and CSA #950. Attaching those inputs to non-TNV-approved power sources will cause the system to fail compliance with safety regulations and may cause damage to the system backplane and system components.

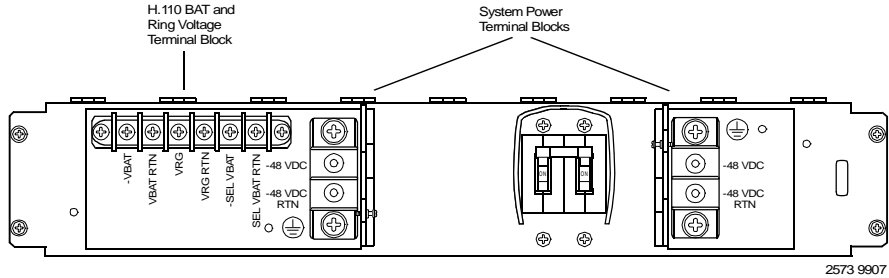


Figure 6-12. H.110 DC Power Distribution Panel

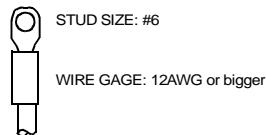
The analog voltages on the H.110 bus are:

Table 6-44. DC Analog Voltages for H.110 Bus

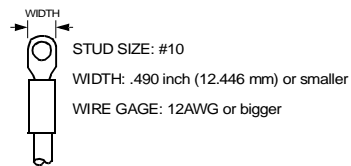
Description	Voltage Inputs
Battery	-48V DC
Return	Nominal 48V, range of 40V to 72V
Ringing	90 VAC nominal
SELV	24V DC nominal, range of <60V

Use 12 AWG or larger wire with a #10 ring terminal to connect the DC system power source to the system. Use 12 AWG or larger wire with a #6 ring terminal to connect the DC TNV voltages to the H.110 power connectors.

Ring Terminal - H.110 Power



Ring Terminal - System Power



Power Supplies

The AC and DC power supplies are mounted on a sled along with the replaceable cooling fans and are discussed in the *CPX8000 Series CPX8216 and CPX8216T System Installation and Use* manual.

For the power coupling to the backplane, refer to the information in *Power Supply Connectors (PS1, PS2, PS3)* on page 6-6. For the electrical specification for the power supply, refer to *Power Supply Electrical Specifications* on page A-2.

Environmental Characteristics

ENVIRONMENTAL CHARACTERISTICS

Temperature

Operating: 0° to 50° C (32° to 122° F) continuous duty with linear current derating between +50° C to +60° C (122° to 140° F) to 50% maximum rated power

Storage and Transit: -25° TO +85° C (-13° to 185° F)

Maximum Altitude

Operating: Linear current derating to 85% between 8,000 feet and 12,000 feet

Storage and Transit: 30,000 feet

Shock

No degradation at 25g shock of 11ms duration at 1/2 sine wave in three planes.

Vibration

No degradation at sine 10 to 100 to 10Hz to 2g 10min/decade three planes.
Meets NEBS Bellcore TR-NWT-000063, Zone 4 Earthquake Vibration

Acoustic Noise

Maximum sound level 70dbA (measured at 1 meter from the power supply at all points around it using a sound-level meter meeting ANSI Standard S1.4-1983, General Purpose Sound-Level Meter)

Cooling

The power supply meets all specifications when cooled by the fan in its subenclosure within the restriction of the system enclosure.

Power Supply Electrical Specifications

- AC Input** **AC Voltage:** 90 Vac to 132 Vac or 190 Vac to 260 Vac (autoranging)
AC Frequency: 47 Hz to 63 Hz
Power Factor: Minimum 0.98 at full load and nominal line
Turn-on Surge Current: 20 Amps at +/- 2A for one line cycle
Efficiency: -72% typical at full load and nominal line, including output Oring diodes
Input Current: Measured 6.0A maximum at 115 Vac, 3A maximum at 230 Vac at 475 watts
- DC Input** **DC Voltage:** -36 Vdc to -72 Vdc (autoranging)
Turn-on Threshold: -38.5 Vdc to -41 Vdc
Turn-on Surge Current: 20 Amps at -36 Vdc maximum in less than 4 msec.
Efficiency: 70% minimum at full load and nominal line, including output Oring diodes
Input Current: Measured 13A @ -48 Vdc at 475W
- Output** All measurements are made at the output connector of the power supply. The power supply is used in an N+1 power system. Each voltage output supports power sharing.
Minimum Load Operation: None
Total Regulation: Total regulation is any combination of line, load and cross regulation, actual set point (as a deviation from the nominal set point), warm up, and temperature that results in an output voltage that deviates from the nominal set point. [Table A-1](#) provides the total regulation for each output:

Table A-1. Total Regulation (per Output)

Output Number	Voltage	Set Point at Load	Maximum Current	Loads	Total Regulation
V1	+5.0V	+5.06Vdc@20A +/- 5 mV	40A	0 to 40A	±3%
V2	+3.3V	+3.36Vdc@20A +/- 5 mV	40A	0 to 40A	±3%
V3	+12.0V	+12.1Vdc@4A +/- 24 mV	10.4A cont. (11.5A peak for max. 5 sec.)	0 to 10.4A	±5%
V4	-12.0V	-12.1Vdc@2A +/- 12 mV	4A	0 to 4A	±5%

- Output Power** 400 Watts total continuous maximum from all outputs. Any mix of outputs totaling 400W is acceptable.
- DC Output Voltage Adjustment** No output adjustments.
- Output Noise** Total periodic and random deviation (PARD) noise found on outputs of the power module shall be, as measured at the backplane:
 -From 0 to 30 MHz bandwidth for ripple <50 mV
 -From 0 to 100 MHz bandwidth for spikes <75 mV
- Overload Protection** All DC outputs have a method to protect the power supply from overloads and shorts. When one output is overloaded, then all outputs are turned off. Cycling the AC or DC input off then on will cause the power supply to attempt recovery.
- Output to Output Short Protection** The power supply provides protection when any output is shorted to any other output. A short is considered to be any interconnection that results in any output deviating from its regulation range by more than 0.7 Volts. Cycling the AC or DC input off then on will cause the power supply to attempt recovery.

- Overshoot** Overshoot does not exceed 2.0% of any output voltage under the following conditions: power failure, enabled, disabled, and AC input cycled on/off. Overshoot is the phenomena where the magnitude of voltage of an output temporarily exceeds its final or stabilized value.
- Load Change Transient Response** Any DC voltage returns to 1% within 2mS in response to a 25% change in the load. The +5V output does not vary more than 3% in response to a 25% change in load. The 12V output does not go out of regulation during a 0.5A change in the +12V load.
- Proper Operation During Dynamic Loads** The power supply operates properly when subjected to a 10% delta dynamic load with a 50% duty cycle at all frequencies from zero to 2 MHz, or 2 times the switching frequency of the power supply, whichever is greater.
- Undershoot and Reverse Voltage** With respect to its normal zero reference voltage, no output voltage, under any normal condition, become of a polarity opposite to its normal operation polarity (excluding applying an external reverse voltage).
- Output Risetime** The +5V output will have a monotonic rise from 2V to 4.75V. The +5V output will transition from +2V to +4.75V in less than 50mS when loaded to 37.5A or less.
- The +5V output will always be above +3.3V output.
- The +3.3V output will transition from +2V to 13.3V in less than 50mS.
- The skew in risetime between +5V and +3.3V outputs will be less than 50 mS.
- The +12V output will transition from +2V to +10.8V in less than 50 mS.
- The above conditions will be over the complete input range and load range, from minimum to maximum load with a capacitive load.
- Holdover Storage** Output voltage stays within regulation limits for at least 20 msec. from the last peak of the line voltage cycle after input power is removed. The power supply does not latch off during an AC line loss condition that is less than the hold up time.

Over Voltage Protection A Single Fault condition is the failure of any one device within the power supply. The condition includes both the shorting of any output and the failure of any one device within the power supply.

Under any single fault condition:

The +5V outputs limit voltage at 6.4Vdc maximum.

The +3.3V output limits voltage at 4.2Vdc maximum

The ± 12 V outputs do not exceed ± 15.0 Vdc, respectively.

Control Signals

ENABLE POWER# (Input to Power Supply):

Turns on and off the power supply outputs. When the Enable Power# signal is low, the power supply will be ON. When the Enable Power# signal is high or open, the power supply will be OFF.

POWER GOOD# (Output from Power Supply):

This signal is low when the power supply output voltages are good. The signal is high when the power supply voltages are bad. The voltage is good when it is within $\pm 5\%$ of the set voltage.

Related Documentation

B

Motorola Computer Group Documents

The Motorola publications listed below are referenced in this manual. You can obtain paper or electronic copies of Motorola Computer Group publications by:

- Contacting your local Motorola sales office
- Visiting MCG's World Wide Web literature site, <http://www.motorola.com/computer/literature>
- To locate and view the most up-to-date product information in PDF or HTML format, visit <http://www.motorola.com/computer/literature>.

Document Title	Motorola Publication Number
Compact PCI CPX8216 and CPX8216T System Installation and Use	CPX8216A/IH
MCP750HA Hot Swap CompactPCI Single Board Computer Installation and Use	MCP750HA/IH
MCP750 CompactPCI Single Board Computer Installation and Use	MCP750A/IH
MCP750 Single Board Computer Programmer's Reference Guide	MCP750A/PG
PPCBUG Firmware Package User's Guide	PPCBUGA1/UM, and PPCBUGA2/UM

Document Title	Motorola Publication Number
TMCP700 Transition Module Installation and Use	TMCP700A/IH
CPV5350 CompactPCI Single Board Computer and Transition Module installation and Reference	CPV5350A/IH
CPV8540 CompactPCI Hot Swap Carrier Card User Manual (Single PMC)	CPV8540A/UM
CPV8540 CompactPCI Hot Swap Carrier Card User Manual (Dual PMC)	CPV8540B/UM

Related Specifications

For additional information, refer to the following table for related specifications. For your convenience, a source for the listed document is also provided. It is important to note that in many cases, the information is preliminary and the revision levels of the documents are subject to change without notice.

Table B-1. Related Specifications

Document Title and Source	Publication Number
Electronic Industries Alliance http://www.eia.org/	
Interface Between Data Terminal Equipment and Data Circuit-Terminating Equipment Employing Serial Binary Data Interchange; Electronic Industries Alliance; http://global.ihs.com/index.cfm (for publications)	TIA/EIA-232 Standard
IEEE http://standards.ieee.org/catalog/	

Table B-1. Related Specifications (continued)

Document Title and Source	Publication Number
Versatile Backplane Bus: VMEbus Institute of Electrical and Electronics Engineers, Inc. OR <i>Microprocessor system bus for 1 to 4 byte data</i> Bureau Central de la Commission Electrotechnique Internationale 3, rue de Varembe Geneva, Switzerland	ANSI/IEEE Standard 1014-1987
IEEE Standard for Compact Embedded PC Modules	IEEE P996.1
IEEE - Common Mezzanine Card Specification (CMC) Institute of Electrical and Electronics Engineers, Inc.	P1386 Draft 2.0
IEEE - PCI Mezzanine Card Specification (PMC) Institute of Electrical and Electronics Engineers, Inc.	P1386.1 Draft 2.0
Bidirectional Parallel Port Interface Specification Institute of Electrical and Electronics Engineers, Inc.	IEEE Standard 1284
PCI Industrial Manufacturers Group (PICMG) http://www.picmg.com/	
Compact PCI Specification	CPCI Rev. 2.1 Dated 9/2/97
PCI-to-PCI Bridge Specification PCI-ISA Specification	Rev. 1.02 Rev. 2.0
CompactPCI Hot Swap Specification PCI Industrial Computers Manufacturers Group (PICMG)	PIMCG 2.1 R1.0
PCI Special Interest Group (PCI SIG) http://www.pcisig.com/	
Peripheral Component Interconnect (PCI) Local Bus Specification, Revision 2.0, 2.1, 2.2 PCI Special Interest Group;	PCI Local Bus Specification

B

URLs

The following URLs (uniform resource locators) may provide helpful sources of additional information about this product, related services, and development tools. Please note that, while these URLs have been verified, they are subject to change without notice.

- ❑ Motorola Computer Group, <http://www.motorola.com/computer>
- ❑ Motorola Computer Group OEM Services, <http://www.motorola.com/computer/support>
- ❑ Technobox Inc., <http://www.technobox.com>

A

AC power input [A-2](#)
acoustic noise [A-1](#)
adapters, PMC [4-1](#)
alarm board. See alarm display panel
alarm display panel [1-13](#), [6-51](#) to [6-53](#)
alarm interface connector [6-8](#)
altitude, operating [A-1](#)

B

backplane
 connectors [6-6](#)
 reference [6-5](#)
board insertion, features [1-14](#)
branch circuits, TNV [6-56](#)
bridge connector slots [6-29](#)
bus access in CPX8216T [1-4](#)
bus connectors, H.110 [6-37](#)
bus segments [1-1](#)
bus, PCI [2-2](#)

C

cables
 DC power cable [6-55](#)
card cage reference [6-4](#)
carrier card
 diagram [3-2](#)
 features [3-1](#)
chassis ID [1-13](#)
circuit breakers [6-56](#)
COM connectors (CPV5350) [2-22](#)
COM connectors (CPV5350TM80) [5-33](#)
COM connectors (CPX750A) [2-5](#)
COM connectors (CPX750HATM) [5-6](#)
Compact Flash connector [2-14](#)
CompactPCI board standards [6-5](#)
CompactPCI connectors [6-11](#) to [6-35](#)

CompactPCI Hot Swap specification [1-1](#)
conditions for HSC control [1-6](#)
configurations
 active/active [1-9](#)
 I/O [1-10](#)
 processor [1-7](#)
 simplex [1-7](#)
configuring ports [5-18](#), [5-28](#)
connectors (CPV5350)
 COM [2-22](#)
 Ethernet [2-21](#)
 keyboard/mouse [2-20](#)
 USB [2-21](#)
 video [2-22](#)
connectors (CPV5350TM80)
 COM1/COM2 [5-33](#)
 Ethernet [5-33](#)
 parallel port [5-35](#)
 serial port [5-33](#)
 video [5-34](#)
connectors (CPX750HA)
 COM [2-5](#)
 debug [2-6](#)
 DRAM mezzanine [2-10](#)
 EIDE compact flash [2-14](#)
 Ethernet [2-4](#)
 USB [2-4](#)
connectors (CPX750HATM)
 backplane [5-4](#)
 COM [5-6](#)
 floppy port [5-12](#)
 I/O [5-5](#), [5-6](#)
 keyboard/mouse [5-10](#)
 parallel port [5-9](#)
 serial port [5-6](#), [5-7](#)
 transition module [5-4](#)

-
- USB 5-10
 - connectors (CPX8216)
 - alarm 6-8
 - alarm display panel 6-53
 - CPU slot 6-17
 - fan module 6-7
 - floppy drive 6-8
 - HSC/bridge 6-29
 - I/O 6-11
 - I/O slot 6-26
 - IDE drive 6-9
 - power 6-10
 - power supply 6-6
 - signal 6-11
 - transition module 6-27
 - connectors (CPX8216T)
 - bus, H.110 6-37
 - CPU 6-40
 - fan module 6-7
 - HSC 6-40, 6-48
 - I/O 6-38, 6-50
 - power 6-7
 - transition module 6-50
 - connectors (CPX8540)
 - 32-bit PCI 3-5, 3-7
 - 64-bit (PMC) 3-8
 - I/O 3-4
 - controller, SCSI-2 4-1
 - conventions used in the manual xxiii
 - cooling A-1
 - CPU connectors, H.110 6-40
 - CPU module, features 1-12
 - CPU service switchover 1-13
 - CPU slot connectors 6-17
 - CPV5350
 - board connectors 2-18
 - component layout 2-19
 - Ethernet connector 2-21
 - features 2-16
 - indicator lights 2-16
 - keyboard/mouse connector 2-20
 - memory DIMM 2-20
 - memory expansion 2-20
 - CPV5350TM80
 - board headers 5-31
 - connectors 5-31
 - EIDE headers 5-36
 - Ethernet connector 5-33
 - fan tach header 5-43
 - features 5-29
 - floppy header 5-38
 - indicator LED header 5-43
 - keyboard/mouse/power LED header 5-40
 - parallel port connectors 5-35
 - serial port connectors 5-33
 - SM Bus/LM78header 5-42
 - USB header 5-41
 - video connectors 5-34
 - CPX750HA
 - bus capacity 2-2
 - COM connector 2-5
 - debug connector 2-6
 - DRAM mezzanine connector 2-10
 - EIDE compact flash connector 2-14
 - Ethernet connectors 2-4
 - features 2-1
 - I/O peripherals 2-2
 - PCI bus 2-2
 - USB connectors 2-4
 - CPX750HATM
 - backplane connectors 5-4
 - configuring ports 5-18 to 5-28
 - connectors 5-4
 - EIDE connector 5-11
 - features 5-1
 - I/O connectors 5-4, 5-5
 - jumper settings 5-4
 - keyboard/mouse connector 5-10
 - parallel port connector 5-9
 - PMC I/O connector 5-14
 - power connector 5-12
 - serial port configuration 5-2
 - serial port connectors 5-7

SIMs 5-16
speaker connector 5-13
USB connectors 5-10

CPX8216
bus access 1-4
CPU modules 1-12
hot swap controller 1-12
standard system 1-2
subsystems 1-2
system description 1-1

CPX8216T
bus connectors, H.110 6-37 to 6-50
chassis ID 1-13
H.110 system 1-2
power connector
ring voltage 6-7
power distribution panel, DC 6-56
telephony bus 1-14

CPX8540
carrier card 3-1
features 3-1
installing PMC modules 3-2

D

DC power input A-2
debugging 2-6
default conditions 1-6
device drivers 1-19
domain control 1-1, 1-4, 1-6
domains, HSC 6-29
domains, IDE drive 6-9
DRAM memory 2-20
DRAM mezzanine connector 2-10
dual HSC 1-6
dual system 1-9

E

EIDE connector 5-11
electrical specifications, power supply A-2
environmental specifications A-1
ESD clips 6-4

Ethernet connectors 2-4
Ethernet connectors (CPV5350) 2-21

F

fan module 6-7
flash memory 2-15
floppy drive connectors 6-8
floppy port connector 5-12
front panel, CPV5350 2-16
front panel, CPX750HATM 5-6

G

grounding 5-9, 6-6

H

H.110
BAT and Ring Voltages 6-56
I/O connectors, secondary 6-50
power connector 6-7
power distribution panel 6-56
transition module connectors 6-50

H.110 bus analog voltage 6-54, 6-57

headers

EIDE 5-36
fan tach 5-43
floppy 5-38
indicator LED 5-43
keyboard/mouse/power LED 5-40
SM Bus/LM78 5-42
USB 5-41

hot swap controller 1-6
connector 6-29
connector, H.110 6-40, 6-48
functions 1-5
system software 1-7

hot swap features
control status register 1-14
signals 1-14
staged pins 1-14

hot swap process 1-16 to 1-19

HSC. See hot swap controller

I

- I/O connectors, H.110 [6-38](#)
- I/O connectors, primary [6-11](#)
- I/O connectors, secondary [6-26](#)
- I/O devices [1-10](#)
- I/O interfaces, PCI bus [2-2](#)
- I/O slots [6-4](#)
- IDE drive connectors [6-9](#)
- initialization state [1-6](#)
- installing
 - fan module [6-7](#)
 - PMC modules [3-2](#)
 - SIMs [5-16](#)
- ISA bus functions [2-2](#)

J

- J10 connector [2-10](#)
- J11 connector [2-5](#)
- J15 connector [2-5](#)
- J17 connector [2-4](#)
- J18 connector [2-4](#)
- J19 connector [2-6](#)
- J8 connector [2-4](#)
- J9 connector [2-14](#)
- jumper settings
 - Flash selection [2-15](#)
 - SCSI-2 [4-3](#)
 - serial port [5-4](#)
 - SIMs [5-16](#)

L

- LED indicator lights [2-16](#)
- LEDs, description [6-52](#)
- load sharing restrictions [1-7](#), [1-9](#)
- load-sharing configuration [1-9](#)
- logical system domains [1-1](#)

M

- manual conventions [xxiii](#)
- memory banks [2-15](#)
- memory expansion [2-20](#)
- modules

- HSC [1-5](#)

- PMC [3-1](#)

- MPMC150

- features [4-1](#)

- pin assignments [4-4](#)

- switch settings [4-3](#)

- MPU processor bus [2-6](#)

O

- output power [A-3](#)

P

- parallel port signals [5-9](#)

- PCI bus [2-2](#)

- I/O interfaces [2-2](#)

- peripherals, using in system [1-11](#)

- pin assignments

- alarm connector [6-8](#)

- CPX750HA

- EIDE compact flash [2-14](#)

- I/O slots H.110 [6-38](#)

- pin assignments (CPV5350)

- Ethernet [2-21](#)

- keyboard/mouse [2-20](#)

- serial port [2-22](#)

- USB [2-21](#)

- video [2-22](#)

- pin assignments (CPV5350TM80)

- EIDE [5-36](#)

- Ethernet [5-33](#)

- fan tach [5-43](#)

- floppy header [5-38](#)

- indicator LED [5-43](#)

- keyboard/mouse/power LED [5-40](#)

- parallel port [5-35](#)

- serial port [5-33](#)

- SM BUS/LM78 [5-42](#)

- USB [5-41](#)

- video [5-34](#)

- pin assignments (CPX750HA)

- COM1 [2-5](#)

- debug [2-6](#)

-
- DRAM mezzanine 2-10
 - Ethernet 2-5
 - USB 2-4
 - pin assignments (CPX750HATM)
 - COM1/COM2 5-6
 - EIDE connector 5-11
 - floppy port 5-12
 - I/O connector 5-5, 5-6
 - keyboard/mouse 5-10
 - parallel port 5-9
 - PMC I/O connector 5-14
 - power connector 5-12
 - serial port 5-7
 - speaker connector 5-13
 - pin assignments (CPX8216)
 - alarm display panel connector 6-53
 - CPU slots 6-17
 - fan module 6-7
 - floppy connector 6-8
 - HSC/bridge 6-29
 - I/O 6-11
 - I/O slots 6-26
 - IDE drive 6-9
 - power connector 6-10
 - signal connectors 6-11
 - transition module slots 6-27
 - pin assignments (CPX8216T)
 - fan module 6-7
 - H.110 power connector 6-7
 - HSC 6-40 to 6-48
 - I/O connectors 6-50
 - pin assignments (CPX8540) 3-4 to 3-9
 - I/O 3-4
 - PCI 32-bit 3-5, 3-7
 - PCI 64-bit 3-8
 - pin assignments (MPMC150) 4-4
 - PMC adapter pin assignments 4-4
 - PMC carrier card
 - expansion 2-2
 - features 3-1
 - I/O connector 5-14
 - PMC module
 - adding 3-2
 - features 4-1
 - port configurations 5-18, 5-28
 - port signals 5-9
 - power
 - approved sources 6-56
 - distribution 6-54
 - dual breaker distribution panel 6-55
 - dual input distribution panel 6-55
 - output A-3
 - power connectors 5-12, 6-10
 - power distribution panel, 48 VDC 6-55
 - power distribution panel, AC 6-54
 - power distribution panel, DC dual 6-55
 - power distribution panel, DC, H.110 6-56
 - power supplies, electrical specifications A-2
 - power supplies, in simplex configuration 1-7
 - power supply connectors 6-6
- ## R
- rear panel, CPV5350TM80 5-29
 - remote I/O bus 1-5
 - replaceable fan module 6-7
 - restrictions, load sharing 1-7, 1-9
- ## S
- safety standards 6-56
 - SCSI-2 controller 4-1
 - SCSI-2 jumpering 4-3
 - selecting flash banks 2-15
 - serial interface modules (SIMs) 5-16
 - serial port
 - (CPV5350) 2-22
 - (CPX750HATM) 5-2
 - CPV5350TM80 5-33
 - signals 5-7
 - service switchover 1-13
 - setting the chassis ID 1-13
 - shock A-1
 - signal connectors 6-11
 - simplex configuration, power supplies 1-7
 - smart cable 6-55, 6-56

software and the HSC 1-7
speaker connector 5-13
specifications
 electrical A-2
 environmental A-1
status indicators 2-16
status LEDs 1-13, 6-51
switch settings
 MPMC150 4-3
 PMC Adapter 4-3
system
 active/active configuration 1-9
 architecture 1-4
 configurations 1-4
 device drivers 1-19
 EIDE devices 1-11
 peripherals 1-10
 SCSI devices 1-11
 simplex configuration 1-7
 slots 6-4
 status LEDs 1-13, 6-51
system domains, description 1-1

T

Telephone Network Voltage (TNV) 6-56
telephony bus, H.110 1-14
temperature, operating A-1
termination, SCSI bus 4-3
terminator power 4-3
transition module (CPV5350TM80) 5-29
transition module (CPX750HATM) 5-1, 5-4
transition module connectors,
 (CPX8216T) 6-50
transition slot connectors 6-27
typeface, meaning of xxiii

U

URLs (uniform resource locators) B-4
USB connectors (CPV5350) 2-21
USB connectors (CPX750HA) 2-4
USB connectors (CPX750HATM) 5-10

V

vibration A-1
video connector 2-22