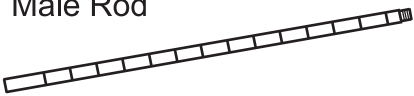



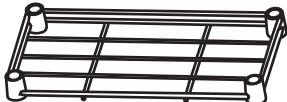

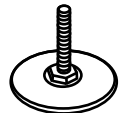
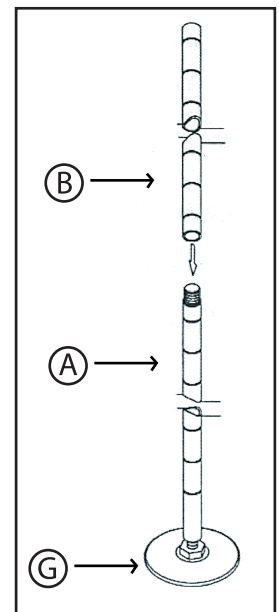
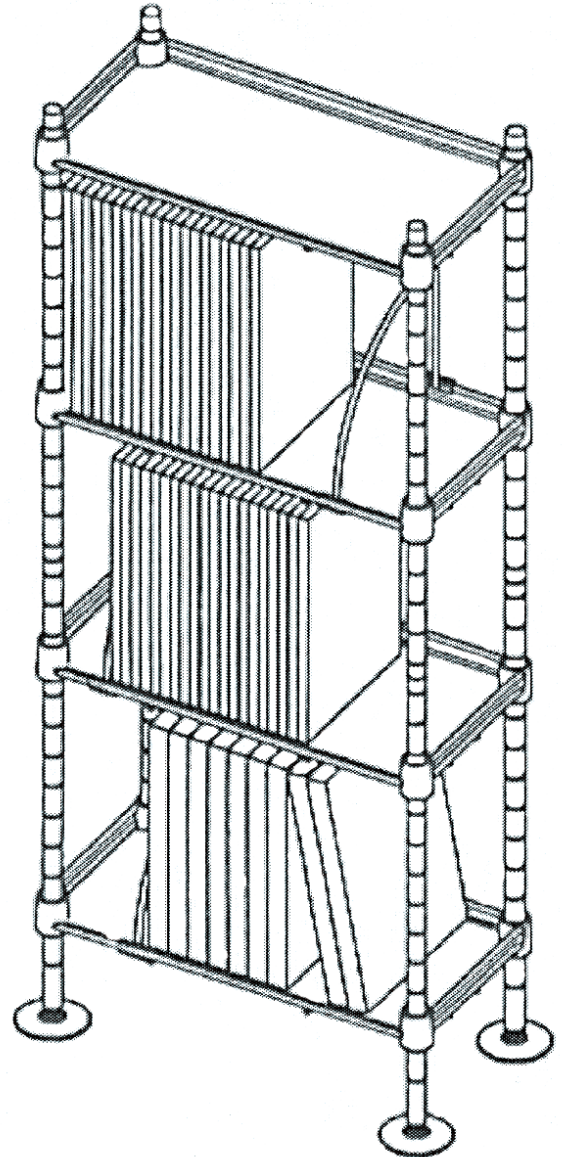


# Assembly Instructions: Item No. SHF4T77

Parts List		Qty.
(A)	Male Rod 	4
(B)	Rod Bases 	4
(C)	Shelf stoppers 	32
(D)	PP Board 	4
(E)	Shelves 	4
(F)	Divider 	4
(G)	Rod Base 	4



## Instructions

- 1) Attach rod (A) to (B), then (G)
- 2) Place stopper (C) at desired height on all 4 assembled rods.  
All 4 stoppers must be at the same level. Place shelf on top of stoppers.
- 3) Follow Step 2 for remaining shelves.
- 4) Place PP board on each shelf.