

[Between us, ideas become reality.]®

TECHZONE™ Ceiling System

Recessed and Pendant Fixtures



Armstrong® TechZone™ Compatible

Neo-Ray 7A

Catalog No.: 7A-648R, 7A-660R
48" and 60" Lay-in and Tegular
Fixtures for 9/16" and 15/16" Grid

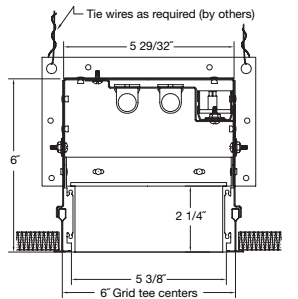
Luminous panels of crisp white light from narrow regressed ceiling slots designed for interiors of distinction. Matte, non reflective soft white acrylic diffuser is regressed 2-1/4" above ceiling plane by heavy gauge extruded aluminum trim with precision mitered corners. Satin white finish trim interfaces precisely with all TechZone ceiling systems.

Nominal 6" wide x 48" or 60" long recessed luminaire with mitered extruded 2-1/4" high regressed aluminum trim and high transmission crystal acrylic diffuser.

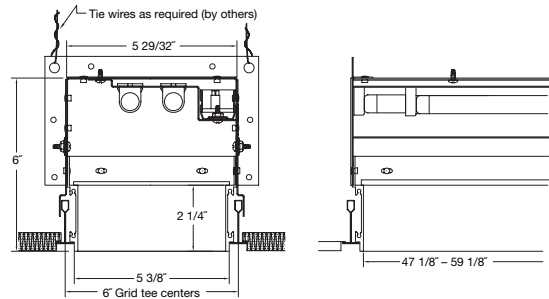
Lamp options: 1 or 2 lamps, T5 or T8



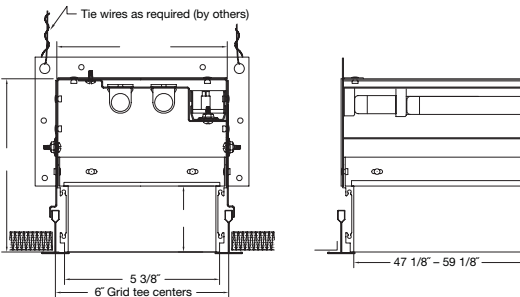
Neo-Ray 7A Recessed Fixture



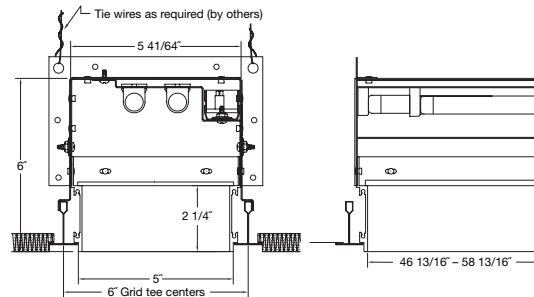
9/16" Lay-In



9/16" Tegular



15/16" Lay-In



15/16" Tegular

Neo-Ray

100 Andrews Road
Hicksville, NY 11801
Technical Support: 800-221-0946
www.cooperlighting.com/common/techzone/



TECHZONE™ Ceiling System

Neo-Ray Nimbus

Catalog No.: 601IP-SP

Pendant Fixture

Nimbus is a dedicated T5 indirect high performance luminaire. High efficiency and wide light distribution allow for wider fixture spacing and closer ceiling mounting. Nimbus is suitable for a broad range of applications, including private offices, open office plans, classrooms, and conference spaces.

High efficiency wide distribution indirect suspended luminaire. 8-3/4" partially perforated steel housing and die cast aluminum end caps available in 96" units for individual or continuous row mounting.

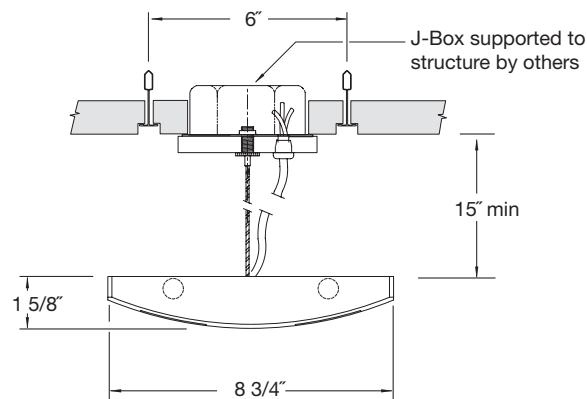
Lamp options: 2 lamps, T5 or T5HO.

Recommended minimum suspension 15" overall. Fixtures interface precisely with all Tech Zone systems with 4', 5', 8' and 10' centers.

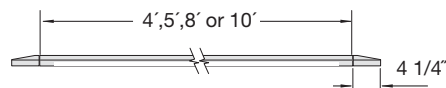


Neo-Ray Nimbus Pendant Fixture

Note: Fixtures must be independently supported.



Individual Luminaire Cable Locations



Continuous Luminaire Cable Locations



All Neo-Ray pendant fixtures are compatible with TechZone Ceiling Systems. Note: Additional mounting options are available (not shown) that allow mounting on grid; consult your local Neo-Ray representative for more information.

Neo-Ray

100 Andrews Road
Hicksville, NY 11801
Technical Support: 800-221-0946
www.cooperlighting.com/common/techzone/

TECHZONE™ Ceiling System

Neo-Ray Shell II

Catalog No.: 201P-SP-TZ

48" and 60" Lay-in and Tegular
Fixtures for 9/16" and 15/16" Grid

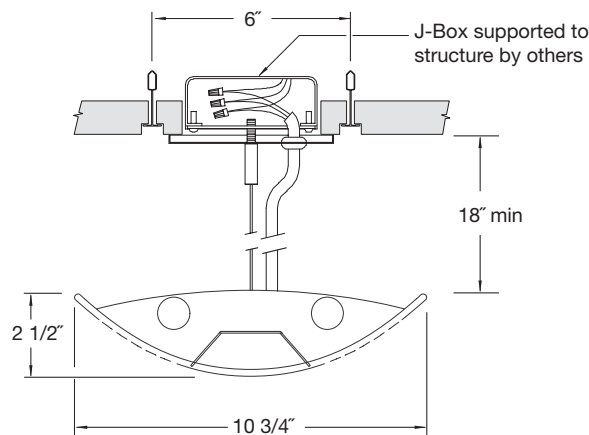
In the pursuit of high-quality illumination, Neo-Ray offers the Shell 201 Series. This inspired design, quietly articulates graceful elegant lines and soft perforated contours. The precision die cast components, and dual cable supports convey a perception of unmatched lightness, low mass, and minimal scale.

"The Shell" features an extremely wide and uniform indirect light distribution, in a luminaire profile of only 10 1/2" wide x 2 1/4" high, with an integral ballast. Set back ends and advanced joiner details give the visual impression of a light, radiant luminaire.

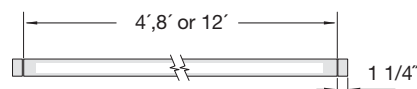
All these elements combined make the Neo-Ray Shell II an appropriate luminaire for open plan offices, private offices, conference rooms, VDT workspaces, class rooms, trading rooms, and reception areas.



Neo-Ray Shell II Fixture



Individual Luminaire Cable Locations



Continuous Luminaire Cable Locations



Note: Additional mounting options are available (not shown) that allow mounting on grid; consult your local Neo-Ray representative for more information.

Neo-Ray

100 Andrews Road
Hicksville, NY 11801
Technical Support: 800-221-0946
www.cooperlighting.com/common/techzone/

neoray™

100 Andrews Road
Hicksville, NY 11801
Technical Support: 800-221-0946
www.cooperlighting.com/common/techzone/
CS-3737-38 1206

