

**WASHBROOK™ FloWise® 0.125  
HIGH EFFICIENCY URINAL**

- Vitreous china
- High Efficiency (0.5 Lpf/0.125gpf)
- Flushing rim
- Elongated 14" rim from finished wall
- Washout flush action
- Extended sides for privacy
- 3/4" inlet spud
- Outlet connection threaded 2" inside (NPTF)
- 2 wall hangers
- Fixture only
- Meets ASME flush requirements at 0.125 gpf

**6590.125** Top spud

**6515.125** Back spud

**Nominal Dimensions:**

355 x 470 x 692mm  
(14" x 18-1/2" x 27-1/4")

Recommended working pressure – between  
20 psi at valve when flushing and 80 psi static

**Compliance Certifications -  
Meets or Exceeds the Following Specifications:**

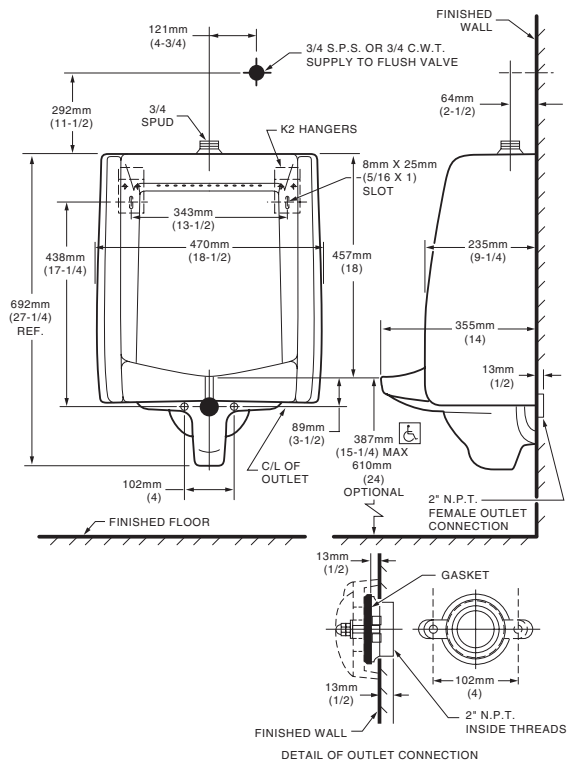
- ASME A112.19.2 for Vitreous China Fixtures

**To Be Specified:**

- Color:  White  Bone  Silver  Linen  
 Black

Flush Valve:

- American Standard Selectronic™ #6063.013.002  
DC Power (Top Spud)



**NOTES:**  
FLUSH VALVE NOT INCLUDED AND MUST BE ORDERED SEPARATELY.  
PROVIDE SUITABLE REINFORCEMENT FOR ALL WALL SUPPORTS.

**IMPORTANT:** Dimensions of fixtures are nominal and may vary within the range of tolerances established by ANSI Standard A112.19.2. These measurements are subject to change or cancellation. No responsibility is assumed for use of superseded or voided pages.



**MEETS THE AMERICANS WITH DISABILITIES ACT GUIDELINES  
AND ANSI A117.1 ACCESSIBLE AND USABLE BUILDINGS AND  
FACILITIES - CHECK LOCAL CODES.**

- When installed so top of rim is 387mm (15-1/4") from finished floor.