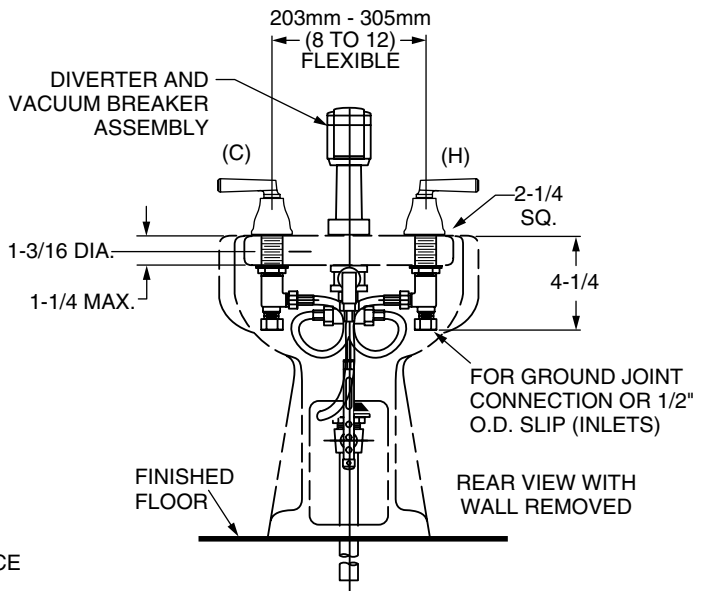
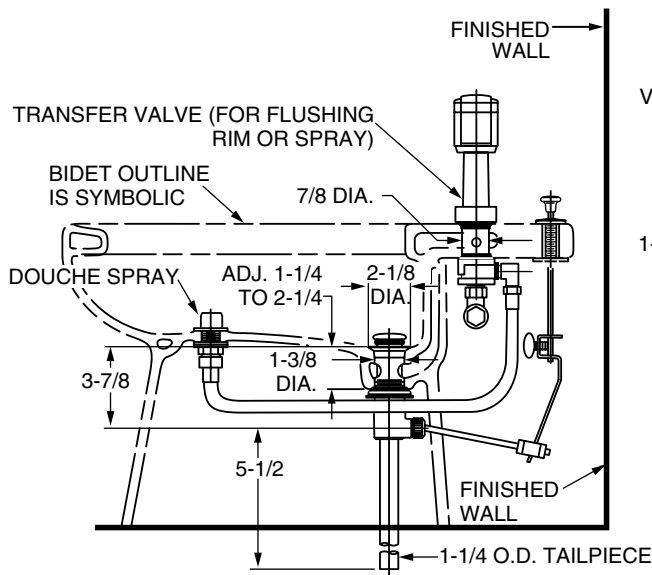


**MODEL NUMBER:**

- ☐ **2555.401 Fixture-Mounted Bidet Fitting**  
Vacuum breaker. Pop-up drain. Metal Lever handles.
- ☐ **2555.400 Fixture-Mounted Bidet Fitting**  
Less vacuum breaker. Pop-up drain. Metal Lever handles.



**GENERAL DESCRIPTION:**

Cast brass valve bodies. 1/4 turn washerless ceramic disc valve cartridges. Diverter controls water flow between douche spray and flushing rim. Douche spray has built-in spray height adjustment. 20 inch (500mm) long flexible stainless steel drain cable is pre-assembled to faucet body. Metal Speed Connect™ drain body with 1-1/4" (32mm) tail piece.

**PRODUCT FEATURES:**

**Brass Construction:** Durable - Excellent in high use applications. Ideal for prolonged contact with water. Provides the finest surface for application of all colors and finishes.

**Ceramic Disc Valve Cartridges:** Assures a lifetime of smooth handle operation and drip-free performance.

**Exclusive Speed Connect Metal Drain:**

- Fewer parts. Installs in less time.
- No adjustments required - seals the first time, every time.
- Flexible stainless steel cable - installs effortlessly in tight spaces.

**Choice of Finishes:** Wide variety of durable finishes.

**SUGGESTED SPECIFICATION:**


Two handle deck-mount bidet fitting with matching pop-up drain shall feature solid brass construction. Shall also feature 1/4 turn ceramic disc valve cartridges. Shall also feature a metal drain body with stainless steel cable actuation. Fitting shall be American Standard Model # 2555.40X. \_\_\_\_\_

**CODES AND STANDARDS**

These products meet or exceed the following codes and standards:

- ANSI A117.1**
- ASME A112.18.1**
- CSA B 125**
- ASSE 1001 - 2555.401 only**

Product Number	Description	Finish Options		
		Polished Chrome	PVD Blackened Bronze	PVD Satin Nickel
		002	068	295
2555.401	Fixture-mounted bidet fitting. Vacuum breaker. Metal Speed Connect™ pop-up drain Metal Lever handles.			
2555.400	Fixture-mounted bidet fitting. Less vacuum breaker. Metal Speed Connect™ pop-up drain. Metal Lever handles.			

 Meets the American Disabilities Act Guidelines and **ANSI A117.1** Requirements for the physically challenged.