

American Standard

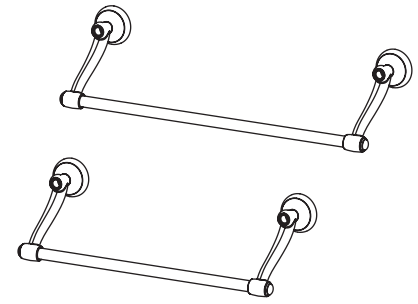
STANDARD COLLECTION

18" TOWEL BAR
24" TOWEL BAR

Installation Instructions

6718
6724

Thank you for selecting American-Standard...the benchmark of fine quality for over 100 years. To ensure that your installation proceeds smoothly—please read these instructions carefully before you begin.



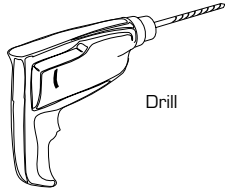
Certified to comply with ANSI A112.18.1
U.S. Patent No. D403,750

M968217B

Recommended Tools



Tape Measure



Drill



Regular Screwdriver



Phillips Screwdriver

CARE INSTRUCTIONS:

DO: SIMPLY RINSE THE PRODUCT CLEAN WITH CLEAR WATER. DRY WITH A SOFT COTTON FLANNEL CLOTH.

DO NOT: CLEAN THE PRODUCT WITH SOAPS, ACID, POLISH, ABRASIVES, HARSH CLEANERS, OR A CLOTH WITH A COARSE SURFACE.

1 18" and 24" TOWEL BAR

- The 18" TOWEL BAR (1) and 24' TOWEL BAR (2) work best if secured to a wall stud or cross brace within the wall, using the SCREWS (3) supplied.
- If the 18" TOWEL BAR (1) and 24' TOWEL BAR (2) is to be installed on a tile or plaster wall the TILE ANCHORS (4) or DRYWALL ANCHORS (6) and SCREWS (3) should be used.
- Determine desired height and location (optional) and mark a center line. For the 24" TOWEL BAR (2) mark a centerline 24" horizontally from the first location. For the 18" TOWEL BAR (1) mark a centerline 18" from the first location. Using the MOUNTING PLATE (5) as a template mark the two mounting holes. Repeat for the other MOUNTING PLATE (5). If MOUNTING PLATE (5) is secured to a stud or cross brace, drill small pilot holes for SCREWS (4).
- **For installations on drywall**, use DRYWALL ANCHORS (6) and SCREWS (3) for securing MOUNTING PLATE (5) to wall. Place #2 Phillips screwdriver or cordless screwdriver into recess of anchor. Press into drywall while turning the anchor clockwise until it is seated flush with the wall. Place MOUNTING PLATE (5) over DRYWALL ANCHORS (6) and insert SCREWS (3) with #2 Phillips screwdriver. See illustration below. Secure MOUNTING PLATE (5) to wall with SCREWS (3).
- **For installations on tiled walls**, if TILE ANCHORS (4) and SCREWS (3) are used for securing MOUNTING PLATE (5), then drill two 1/4" diameter holes a minimum of 1-1/4" deep. Insert the two TILE ANCHORS (4) flush with face of the finished wall. Secure MOUNTING PLATE (5) to wall with SCREWS (3).
- Install the WALL ESCUTCHEON (7) on the MOUNTING PLATE (5). Place the 18" TOWEL BAR (1) and 24' TOWEL BAR (2) into the SIDE SUPPORT BRACKET (10, 10a). Align **slot** in towel bar with **notch** in recess of support post (10, 10a) (see **Figure A**). Place the 18" TOWEL BAR (1) and 24' TOWEL BAR (2) on the ESCUTCHEON (7) and MOUNTING BRACKET (5). Secure with MOUNTING SCREW (8). Tighten fully.
- Push INDEX BUTTONS (9) into SIDE SUPPORT BRACKET (10, 10a). See illustration.

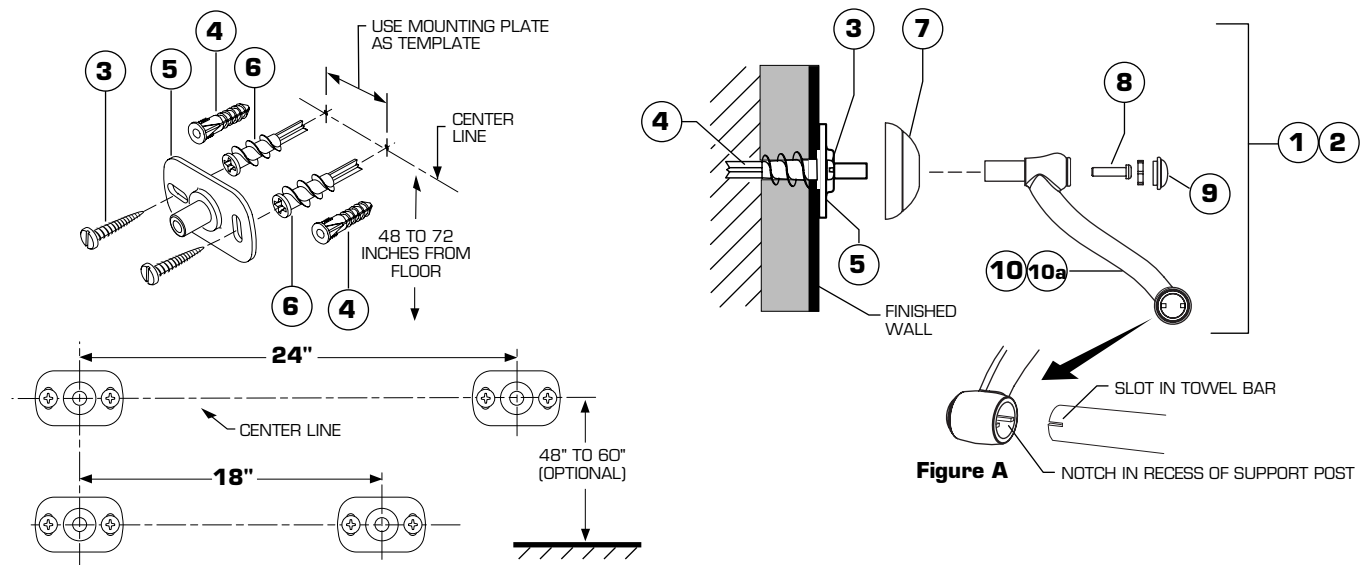


Figure A

American Standard

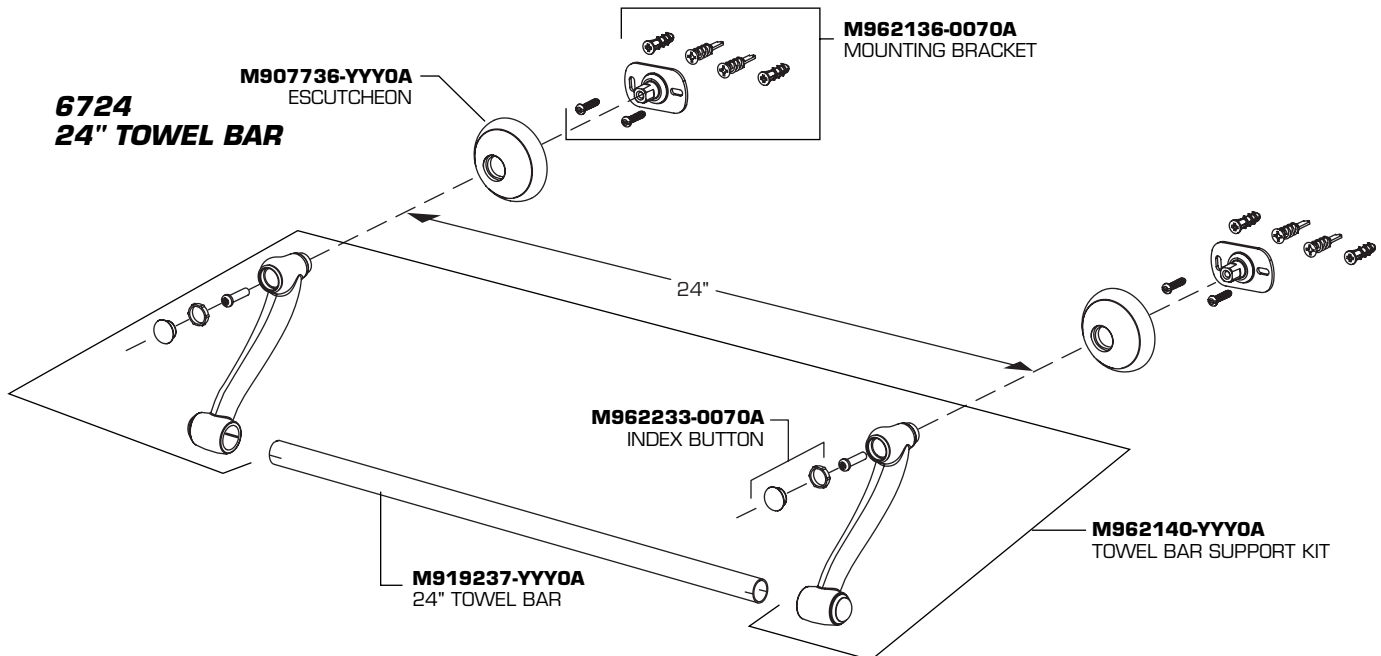
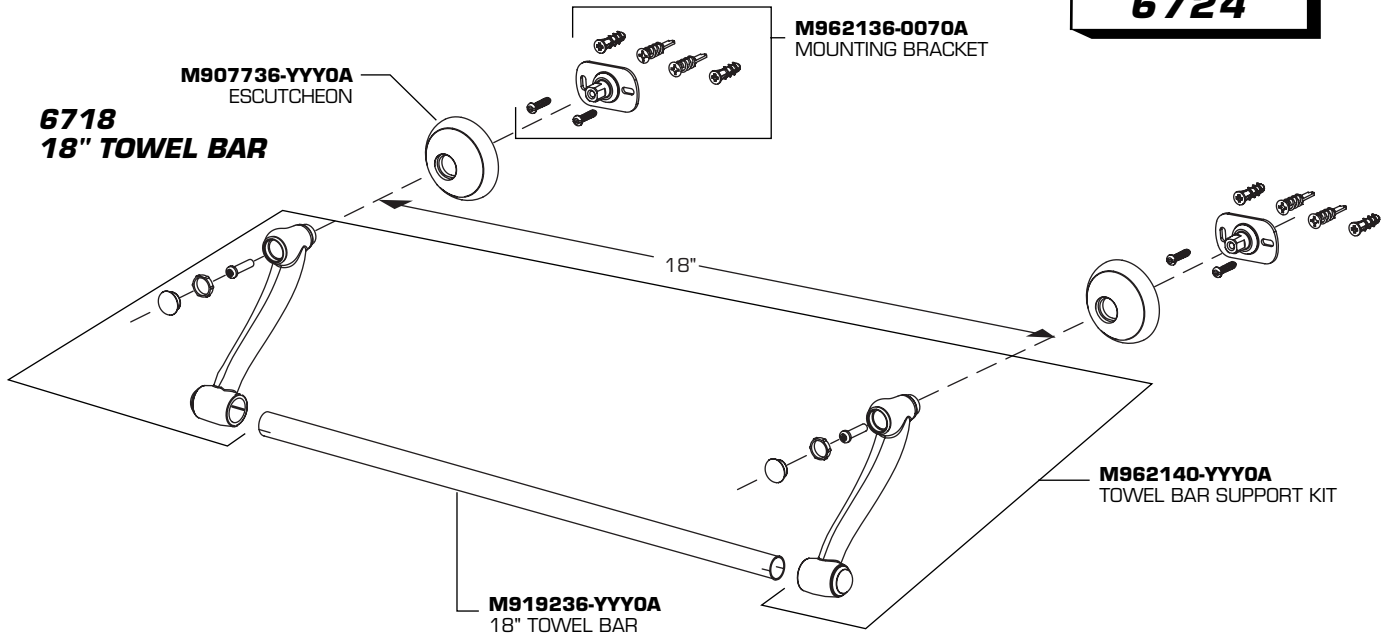
**STANDARD
COLLECTION**

ACCESSORIES

**18" TOWEL BAR
24" TOWEL BAR**

MODEL NUMBERS

**6718
6724**



Replace the "YYY" with appropriate finish code

CHROME	002
SATIN	295



HOT LINE FOR HELP
For toll-free information and answers to your questions, call:
1-800-442-1902
Weekdays 8:00 a.m. to 8:00 p.m. EST

IN CANADA 1-800-387-0369 (TORONTO 1-905-306-1093)
Weekdays 8:00 a.m. to 7:00 p.m. EST

Product names listed herein are trademarks of American Standard Inc.
© American Standard Inc. 2002

M968217B