

American Standard

STANDARD COLLECTION

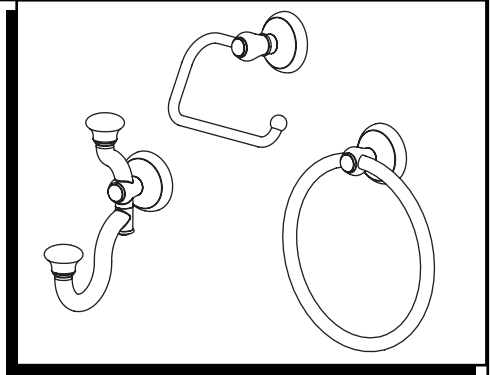
ROBE HOOK
TOWEL RING
TISSUE PAPER HOLDER

Thank you for selecting American-Standard...the benchmark of fine quality for over 100 years.

To ensure that your installation proceeds smoothly—please read these instructions carefully before you begin.

Installation Instructions

6721
6729
6723



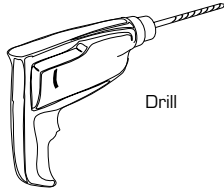
Certified to comply with ANSI A112.18.1
U.S. Patent No. D403,750

M968216C

Recommended Tools



Tape Measure



Drill



Regular Screwdriver



Phillips Screwdriver

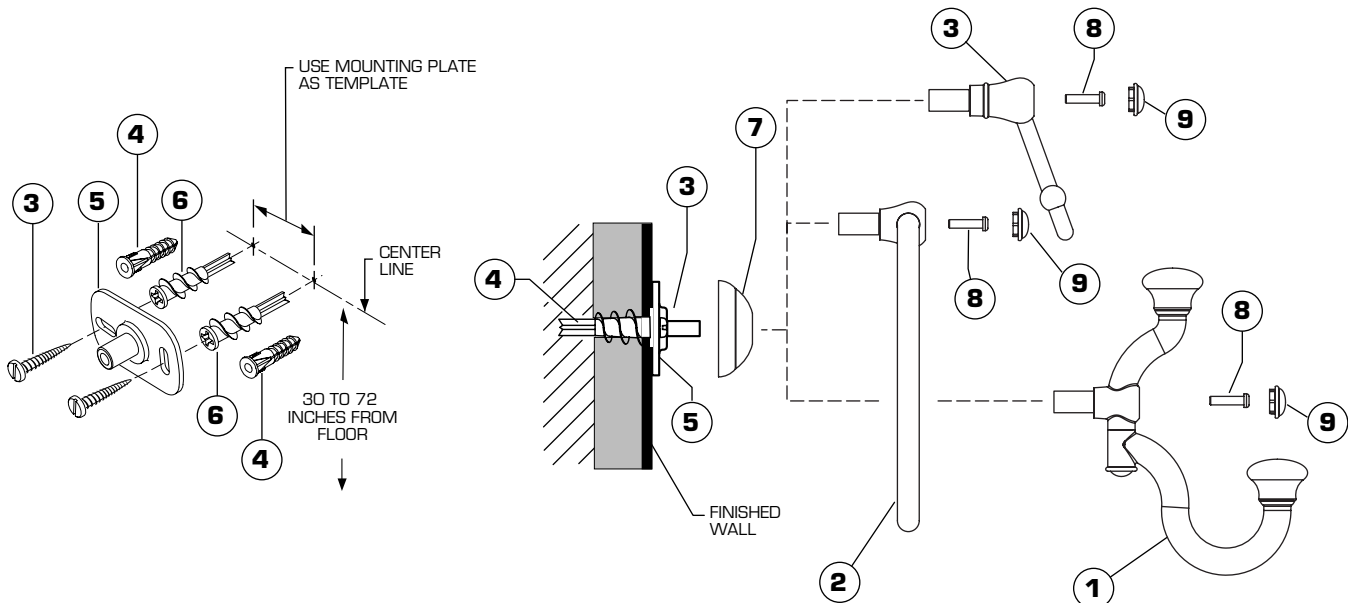
CARE INSTRUCTIONS:

DO: SIMPLY RINSE THE PRODUCT CLEAN WITH CLEAR WATER. DRY WITH A SOFT COTTON FLANNEL CLOTH.

DO NOT: CLEAN THE PRODUCT WITH SOAPS, ACID, POLISH, ABRASIVES, HARSH CLEANERS, OR A CLOTH WITH A COARSE SURFACE.

1 ROBE HOOK, TOWEL RING and TISSUE PAPER HOLDER MOUNTING & INSTALLATION

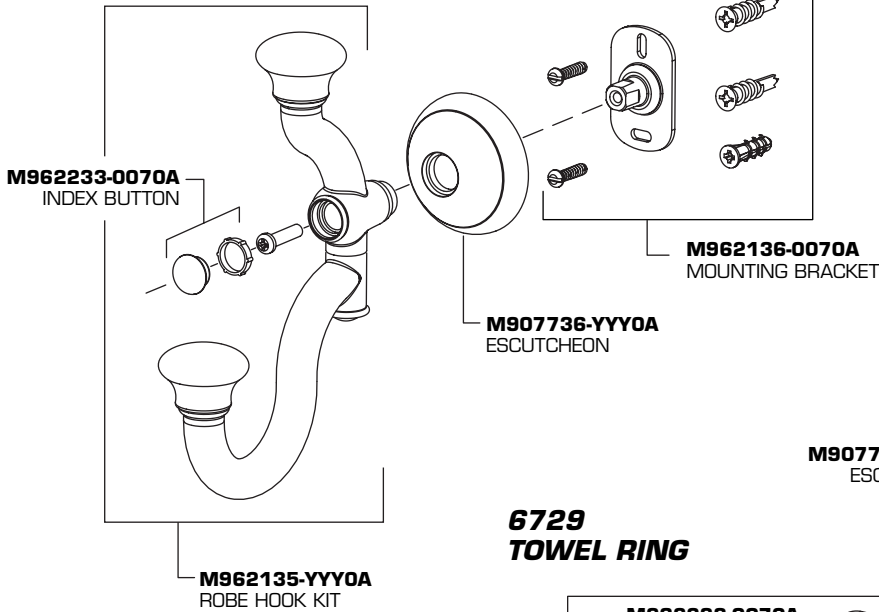
- The ROBE HOOK (1), TOWEL RING (2) and TISSUE PAPER HOLDER (3) work best if secured to a wall stud or cross brace within the wall, using the SCREWS (3) supplied.
- If the ROBE HOOK (1), TOWEL RING (2) and TISSUE PAPER HOLDER (3) is to be installed on a tile or plaster wall the TILE ANCHORS (4) or DRYWALL ANCHORS (6) and SCREWS (3) should be used.
- Determine desired height and location (optional) and mark a center line. Using the MOUNTING PLATE (5) as a template mark the two mounting holes. If MOUNTING PLATE (5) is secured to a stud or cross brace drill small pilot holes for SCREWS (3).
- **For installations on drywall**, use DRYWALL ANCHORS (6) and SCREWS (3) for securing MOUNTING PLATE (5) to wall. Place #2 Phillips screwdriver or cordless screwdriver into recess of anchor. Press into drywall while turning the anchor clockwise until it is seated flush with the wall. Place MOUNTING PLATE (5) over DRYWALL ANCHORS (6) and insert SCREWS (3) with #2 Phillips screwdriver. See illustration below. Secure MOUNTING PLATE (5) to wall with SCREWS (3).
- **For installations on tiled walls**, If TILE ANCHORS (4) and SCREWS (3) are used for securing MOUNTING PLATE (5), then drill two 1/4" diameter holes a minimum of 1-1/4" deep. Insert the two TILE ANCHORS (4) flush with face of the finished wall. Secure MOUNTING PLATE (5) to wall with SCREWS (3).
- Install the WALL ESCUTCHEON (7) on the MOUNTING PLATE (5). Place the ROBE HOOK (1), TOWEL RING (2) and TISSUE PAPER HOLDER (3) over the ESCUTCHEON (7). Secure with MOUNTING SCREW (8). Tighten fully.
- Push INDEX BUTTON (9) into ROBE HOOK (1), TOWEL RING (2) and TISSUE PAPER HOLDER (3). See illustration.



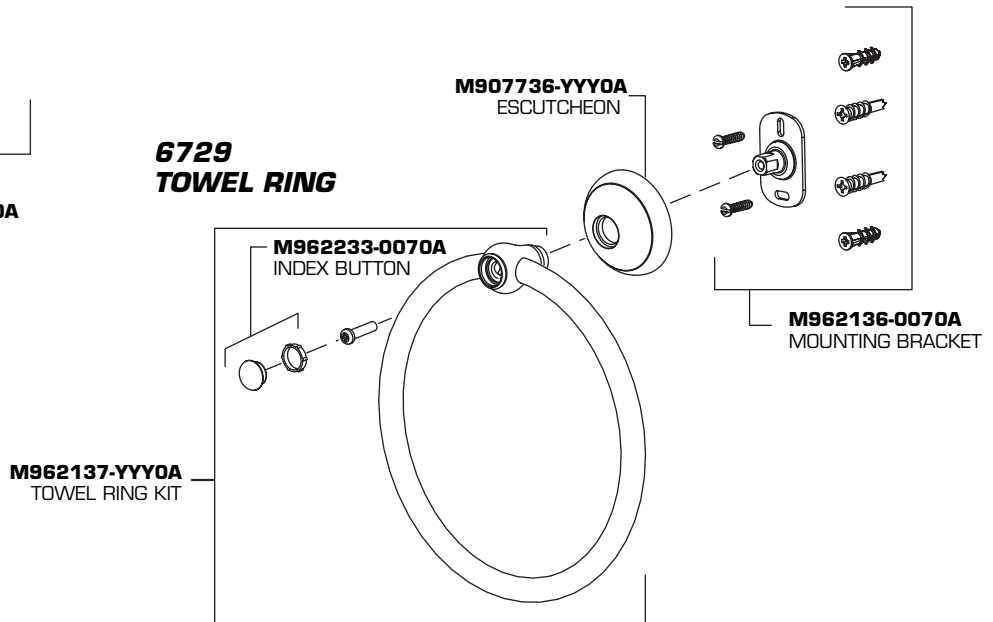
STANDARD COLLECTION ACCESSORIES ROBE HOOK TOWEL RING TISSUE PAPER HOLDER MODEL NUMBERS

6721
6729
6723

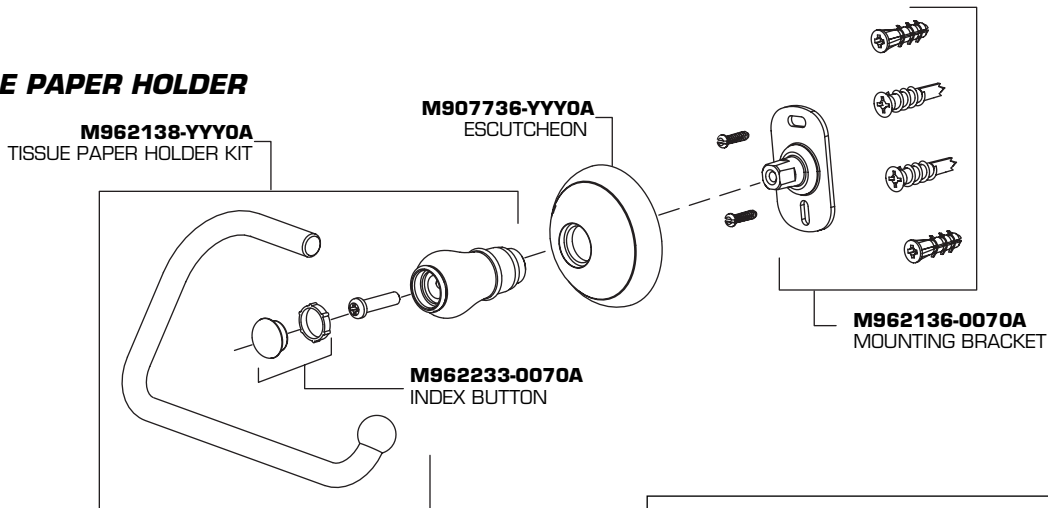
6721 ROBE HOOK



6729 TOWEL RING



6723 TISSUE PAPER HOLDER



Replace the "YYY" with appropriate finish code

CHROME	002
SATIN	295



HOT LINE FOR HELP
For toll-free information and answers to your questions, call:
1-800 442-1902
Weekdays 8:00 a.m. to 8:00 p.m. EST

IN CANADA 1-800-387-0369 (TORONTO 1-905-306-1093)
Weekdays 8:00 a.m. to 7:00 p.m. EST

Product names listed herein are trademarks of American Standard Inc.
© American Standard Inc. 2002