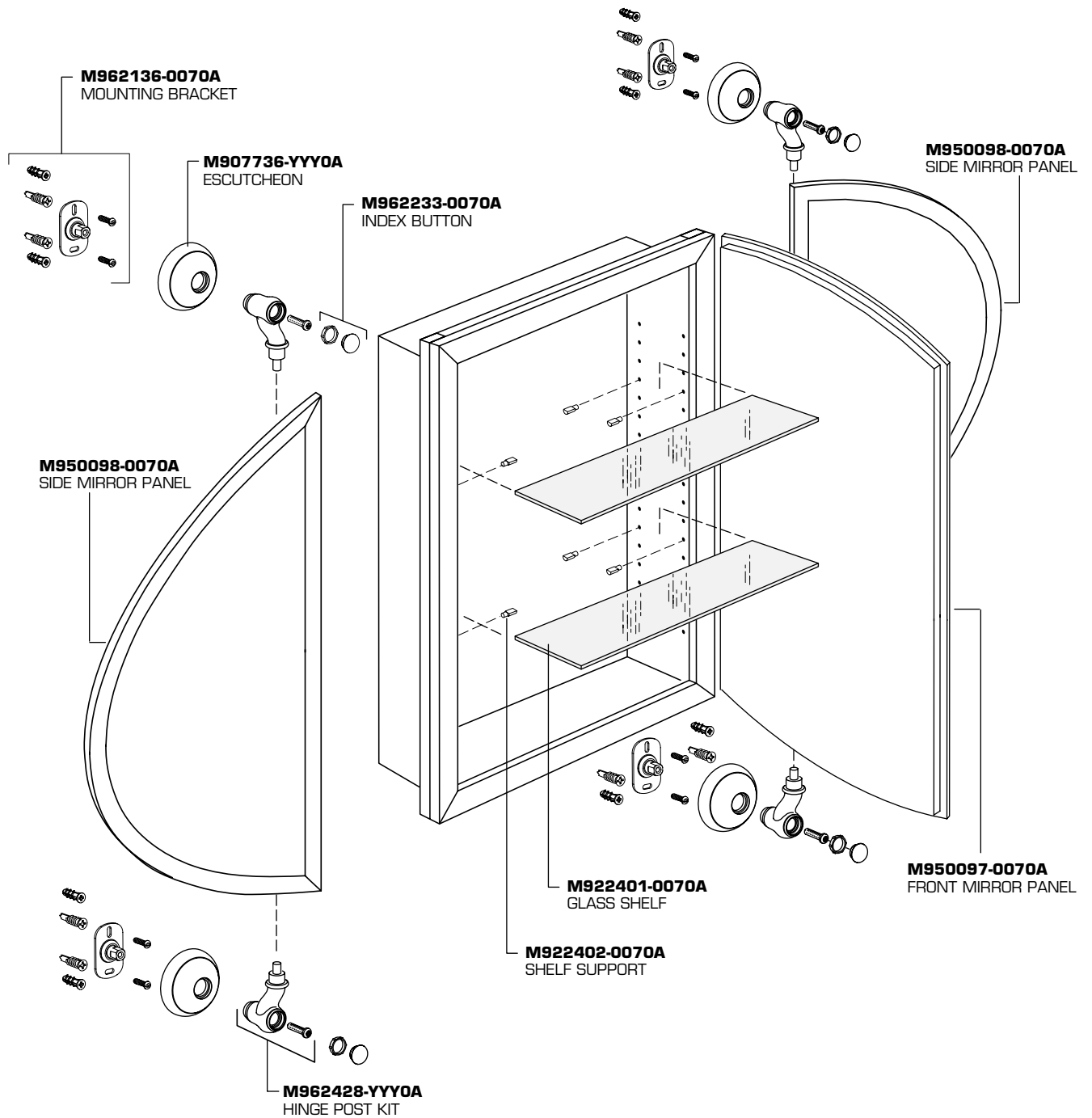


American Standard



MIRROR/MEDICINE CABINET MODEL NUMBER

6771



Replace the "YYY" with appropriate finish code

CHROME	002
SATIN	295



HOT LINE FOR HELP
For toll-free information and answers to your questions, call:
1-800-442-1902
Weekdays 8:00 a.m. to 8:00 p.m. EST
IN CANADA 1-800-387-0369 (TORONTO 1-905-306-1093)
Weekdays 8:00 a.m. to 7:00 p.m. EST

Product names listed herein are trademarks of American Standard Inc.
© American Standard Inc. 2003

M968408D