

SILHOUETTE™ 18" ISLAND SINK

- Americast® brand engineered material
- Single bowl design
- Titanium enamel - heat resistant up to 1000°
- Acid-resisting glossy porcelain finish
- Tile edge installation
- Silicone sealant supplied
- Available in 1 or 3 faucet hole configuration
- Customized hole punchings available
(See page G56)

Tile Edge:

- 7185.011** Center hole only
- 7185.813** 3 hole

Nominal Dimensions:

457 x 447 x 216mm
(18" x 18" x 8-1/2")

Bowl sizes:

375mm (14-3/4") wide
375mm (14-3/4") front to back
203mm (8") deep

Compliance Certifications -

Meets or Exceeds the Following Specifications:

- ASME A112.19.4M for Americast Plumbing Fixtures
- ASTM E162 for Flammability
- NFPA 258 for Smoke Density



Shown with **7100.271H** Heritage Bar Faucet with Wrist Blade Handle (not included)

SEE REVERSE SIDE FOR ROUGHING-IN DIMENSIONS

To Be Specified:

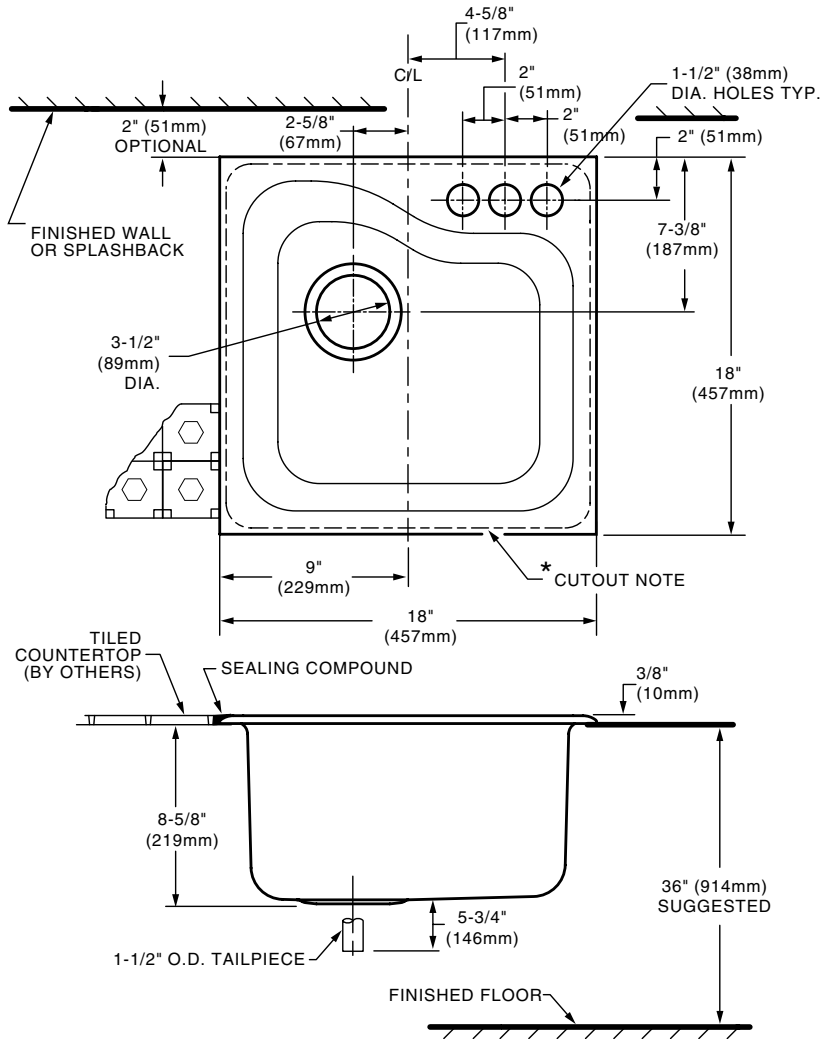
- Color:
- Faucet*:
- Faucet Finish:
- Basket Strainer: 4331.013
- Soap Dispenser: 4503.115, Color:
- Trap:

Optional Accessories:

- Small Wood Cutting Board: 9000.185
- Colander for Cutting Board: 8102.100, Color:

* See faucet section for available models

7185.813
SHOWN WITH 2560.221 FITTING



NOTES:
* COUNTERTOP CUTOUT 425mm x 425mm WITH 25mm RADIUS (16-3/4 X 16-3/4 WITH 1" RADIUS) AT CORNERS.

FITTINGS NOT INCLUDED AND MUST BE ORDERED SEPARATELY.

PROVIDE SUITABLE REINFORCEMENT FOR ALL WALL AND COUNTERTOP SUPPORTS.

IMPORTANT: Dimensions of fixtures are nominal and may vary within the range of tolerances established by ASME Standard A112.19.4. These measurements are subject to change or cancellation. No responsibility is assumed for use of superseded or voided leaflet.