

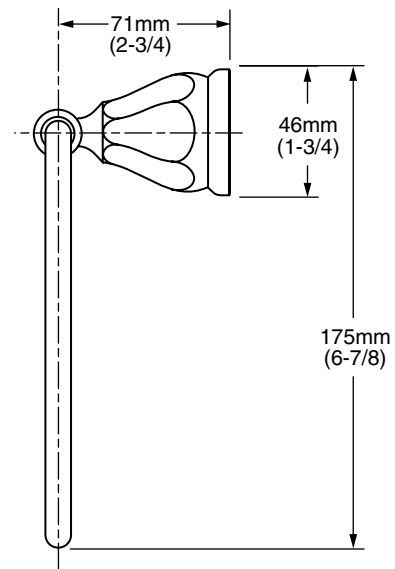
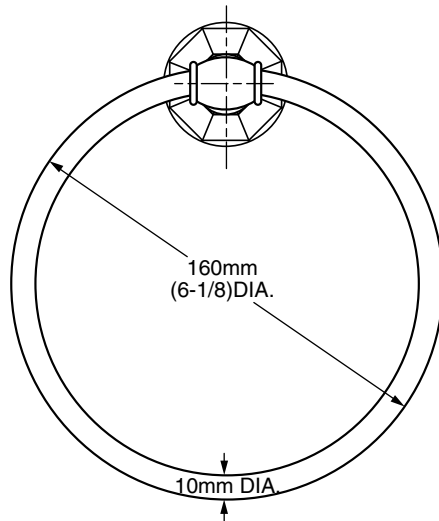


MODEL NUMBER:

■ **6028.190 Towel Ring**

Available Finishes

.002	Polished Chrome
.068	PVD Blackened Bronze
.295	Satin Nickel



PRODUCT FEATURES:

Heavy Duty Construction: Highest quality materials for durability & long life.

Concealed Mounting: No exposed set screws.

Materials of Construction: Body and escutcheon - zinc. Towel ring tube - brass.

Bushing on towel ring: Prevents scratching and squeaking.

Easy to Install.

Durability of Finishes: Chrome and PVD finishes will never tarnish.

SUGGESTED SPECIFICATION:

Towel Ring shall feature heavy - duty construction. Shall feature concealed mounting with no exposed set screws. Towel Ring tube shall be brass. American Standard Model # 6028.190.____.