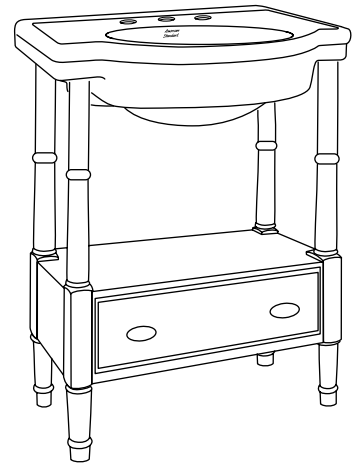


American Standard

ASSEMBLY & INSTALLATION INSTRUCTIONS

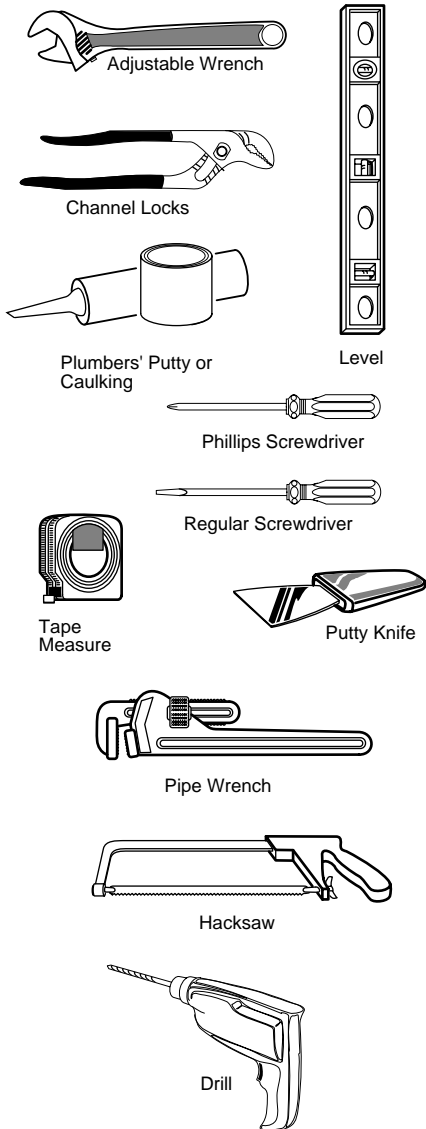
RETROSPECT WASHSTAND

9422.020



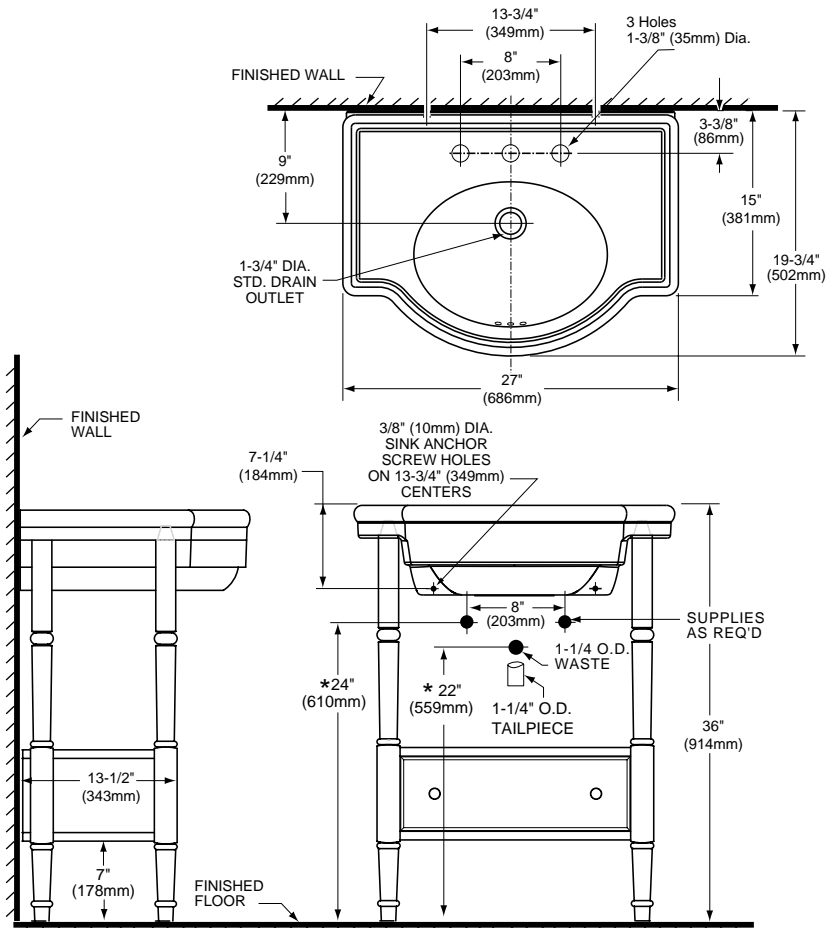
Thank you for selecting our products...products which have been the benchmarks of fine quality for over 100 years. To help insure that the installation process will proceed smoothly, please read these instructions carefully before you begin. Also, review the recommended tools and materials list; carefully unpack and examine your new plumbing fixture.

Recommended Tools & Materials



0282.008
9420.020

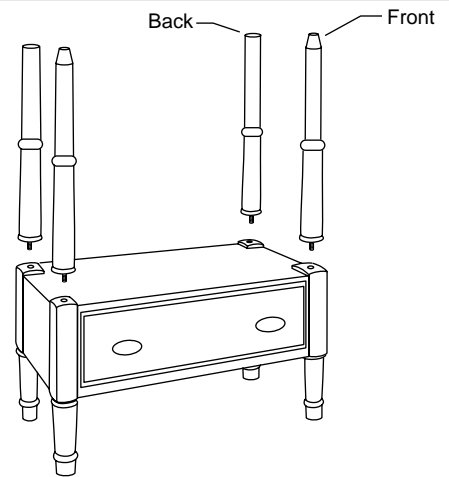
RETROSPECT WASHSTAND TOP
WASHSTAND TABLE LEGS



1

WASHSTAND ASSEMBLY

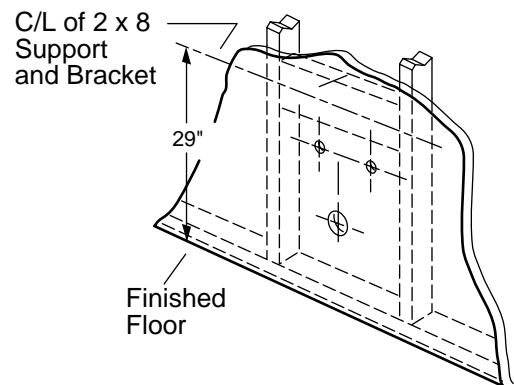
Thread the two legs with tapered upper ends into the threaded holes at the front of the cabinet. Thread the remaining legs into the two holes at the rear of the cabinet. Hand-tighten each of the four legs.

**2**

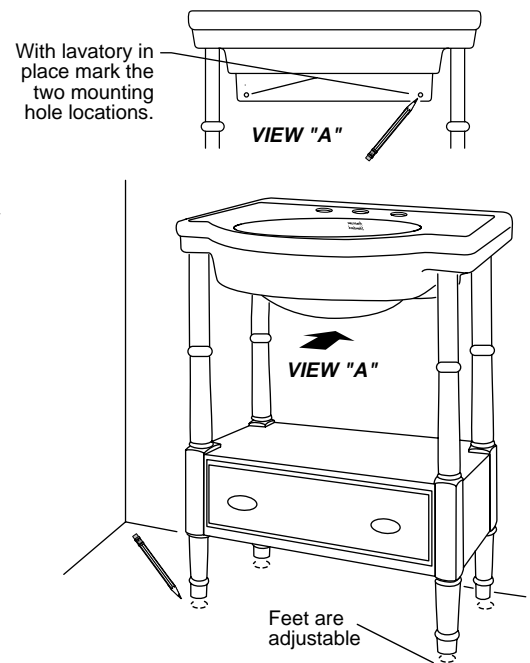
SINK AND WASHSTAND INSTALLATION

Note: If replacing an existing sink be certain to shut off water supply before removing old sink. If installing in a new bathroom follow rough-in diagram to locate rough supply, waste lines.

Provide suitable reinforcement behind finished wall for sink hanger screws. For an installed sink height of 36", center the reinforcement 29" above the floor.

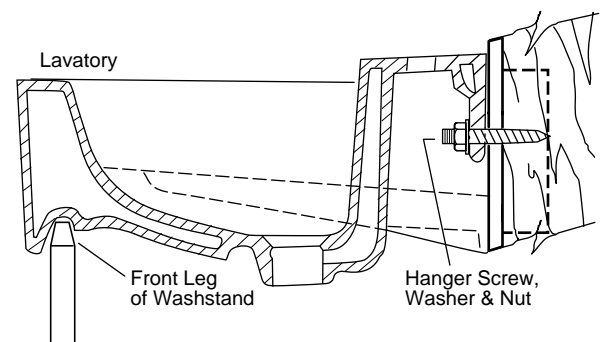
**3**

- 1) Move washstand into approximate position near the wall.
- 2) Place sink on washstand, aligning the tapered ends of the front legs with the recesses in the underside of the front of the sink.
- 3) Place a level on the cabinet and use the four independently adjustable washstand feet to level the assembly both side-to-side and front-to-back.
- 4) Place the level on the sink. If adjustment is required, either front-to-back or side-to-side, remove the sink, place one or more of the adhesive-backed cushions on the top surfaces of any of the legs as appropriate, and replace the sink to verify.
- 5) Move the assembly into contact with the wall.
- 6) With a pencil, mark through the center of the two mounting holes found on the back of the sink. See VIEW "A".
- 7) Move the assembly well clear of the wall.
- 8) Drill two pilot holes at the center marks using a 1/4" bit. Bore in 1" deep.
- 9) Thread the two 5/16" headless hanger screws into the pilot holes leaving 1-7/8" thread exposed in front of the wall.

**4**

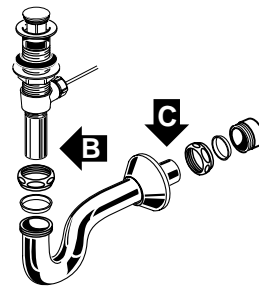
Following manufacturer's instructions, install faucet and drain assembly (not included) in sink. Be certain to apply a bead of sealing putty on the underside of the drain to ensure a watertight seal between the sink and the drain. Remove excess putty immediately after tightening drain.

Move the assembly back toward the wall, guiding the sink over the two headless hanger screws. Place washers over studs and firmly hand-tighten nuts onto each.



Connect the trap to drain assembly hand tight to check alignment. It may be necessary to cut off part of the tailpiece (area "B") or part of the horizontal leg of the trap (area "C").

Connect hot and cold supply lines between the fitting valve and the supply shut-off valves. Tighten trap joints for watertight assembly. Apply a bead of caulk around the back edge of the sink where it contacts the wall.



CARE INSTRUCTIONS: Rinse the product clean with clear water. Dry with a soft cotton flannel cloth.
DO NOT: Clean with soaps, acid, polish, abrasives, harsh cleaners, or a cloth with coarse surface.

9420 WASHSTAND REPLACEMENT COMPONENTS LIST

PART NO.	PACKED QTY.	DESCRIPTION
738747-0200A	1	Front Leg Assembly
738748-0200A	1	Rear Leg Assembly
738749-0200A	1	Wood Knob

AMERICAN STANDARD ONE-YEAR LIMITED WARRANTY

If inspection of this American Standard plumbing product, within one year after its initial purchase, confirms that it is defective in materials or workmanship, American Standard will repair or, at its option, exchange the product for a similar model.

This warranty **does not apply** to local building code compliance. Since local building codes vary considerably, the purchaser of this product should check with a local building or plumbing contractor to insure local code compliance before installation.

This warranty **shall be void** if the product has been moved from its initial place of installation; if it has been subjected to faulty maintenance, abuse, misuse, accident or other damage; if it was not installed in accordance with American Standard's instructions; or if it has been modified in a manner inconsistent with the product as shipped by American Standard.

American Standard's option to repair or exchange the product under this warranty does not cover any labor or other costs of removal or installation, **nor shall American Standard be responsible for any other incidental or consequential damages attributable to a product defect or to the repair or exchange of a defective product, all of which are expressly excluded from this warranty.** (Some states or provinces do not allow the exclusion or limitation of implied warranties, so this exclusion may not apply to you.)

This warranty gives you specific legal rights. You may have other statutory rights that vary from state to state or from province to province, in which case this warranty does not affect such statutory rights.

AMERICAN-STANDARD WOOD FURNITURE WARRANTY

If inspection of this American-Standard plumbing product, within one year after its initial purchase, confirms that it is defective in materials or workmanship, American-Standard will repair or, at its option, exchange the product for a similar model. Variations in actual wood color and finishes which may result from natural characteristics of the wood, such as grain patterns, mineral streaks and the like, are not defects and are not covered by this warranty.

This warranty applies only to the original purchaser and installation of these products.

This limited warranty does not apply to local building code compliance. Since local building codes vary considerably, the purchaser of this product should check with a local building or plumbing contractor to insure local code compliance before installation.

This warranty shall be void if the product has been moved from its initial place of installation; if it has been subjected to faulty maintenance, abuse, misuse, accident or other damages; if it was not installed in accordance with American-Standard's instructions; or if it has been modified in a manner inconsistent with the product as shipped by American-Standard.

American-Standard's option to repair or exchange the product under this warranty does not cover any labor or other costs of removal or installation, nor shall American-Standard be responsible for any other incidental or consequential damages attributable to a product defect or to the repair or exchange of a defective product, all of which are expressly excluded from this warranty. (Some states or provinces do not allow the exclusion or limitation of implied warranties, so this exclusion may not apply to you.)

This warranty gives you specific legal rights. You may have other statutory rights that vary from state to state or province to province, in which case this warranty does not affect such statutory rights.

For service under this warranty, it is suggested that a claim be made through the contractor or dealer from or through whom the product was purchased, or that a service request (including a description of the product model and of the defect) be sent to the following address:

In the United States:
 American Standard Inc.
 P.O. Box 6820
 Piscataway, New Jersey 08855
 Attention: Director of Consumer Affairs

In Canada:
 American Standard
 2480 Stanfield Rd.
 Mississauga, Ontario
 Canada L4Y 1S2

In Mexico:
 Customer Service Manager
 Ideal Standard, S.A. de C.V.
 Via Morelos #330
 Col. Santa Clara
 Ecatepec 55540 Edo. Mexico

For residents of the United States, warranty information may also be obtained by calling the following toll free number: (800) 442-1902

Toll Free: (800) 387-0369