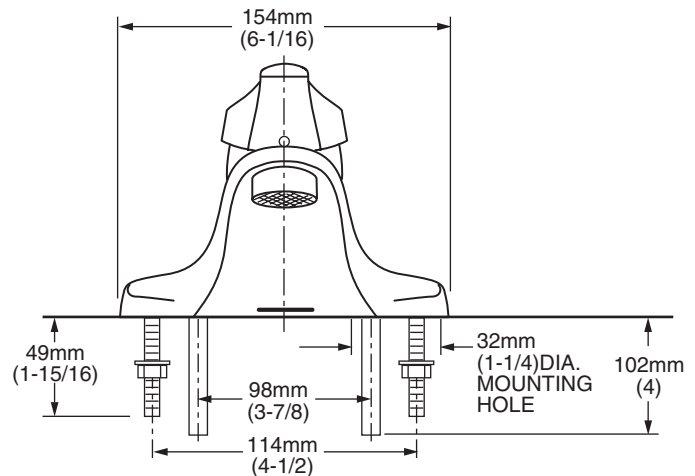
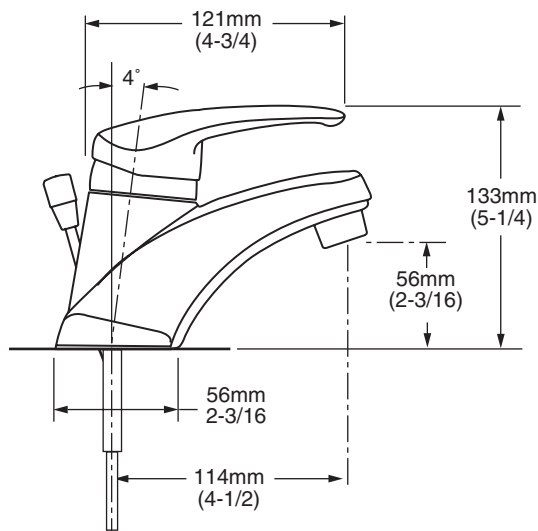


2385.005 Shown.



GENERAL DESCRIPTION:

All metal body with choice of Metal Lever or Indexed Metal Lever Handle. Washerless 47mm ceramic disc valve cartridge. Equipped with a hot limit safety stop. 3/8" O.D. copper inlet supplies. Choice of end device. Fitting mounts on 4" centers.

PRODUCT FEATURES:

All Copper Waterway: Highest quality, faucet material for durability & long life.

Ceramic Disc Valve Cartridge: Assures smooth, precise valve control and a lifetime of drip-free, maintenance-free performance.

Wide Comfort Zone: Gives more sensitive temperature control.

Adjustable Hot Limit Safety Stop: Limits the amount of hot water allowed to mix with cold. Reduces the risk of accidental scalding.

Low Lead: Meets NSF Standard 61/Section 9 & Prop 65 lead requirements.

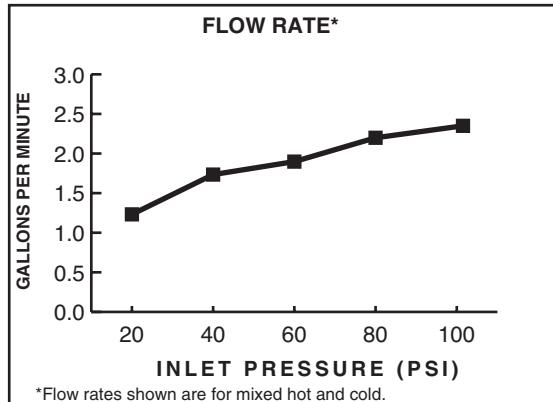
SUGGESTED SPECIFICATION

Single control lavatory fitting shall feature an all metal body with metal lever handle. Shall also feature a washerless ceramic disc valve cartridge. Fitting shall be equipped with a hot limit safety stop. Fitting shall be American Standard Model # 2385.____.

CODES AND STANDARDS


These products meet or exceed the following codes and standards:

- ANSI A117.1
- ASME A112.18.1
- CSA B 125
- NSF 61/Section 9



Product Number	Description	Finish Options		
		Polished Chrome	PVD Polished Brass	PChrome /PVD Brass mix
		002	099	299
2385.000	Lavatory Faucet. Metal Lever Handle. Metal pop-up drain. 3/8" O.D. copper inlets. 2.2gpm/8.3 L/min max. flow rate.			
2385.003	Lavatory Faucet. Indexed Metal Lever Handle. Grid drain - less pop-up hole. Vandal resistant 0.5 gpm/ 1.9 L/min spray. 3/8" O.D. copper inlets.		N/A	N/A
2385.004	Lavatory Faucet. Indexed Metal Lever Handle. Less pop-up drain - less pop-up hole. 2.2gpm/8.3 L/min max. flow rate.		N/A	N/A
2385.005	Lavatory Faucet. Metal Lever Handle. Less pop-up drain - with pop-up hole and pop-up rod. 2.2gpm/8.3 L/min max. flow rate. 3/8" O.D. copper inlets.		N/A	N/A
2385.006	Lavatory Faucet. Indexed Metal Lever Handle. Less drain - less pop-up hole. Vandal resistant 0.5 gpm/ 1.9 L/min spray. 3/8" O.D. copper inlets.		N/A	N/A

N/A = NOT AVAILABLE

 Meets the American Disabilities Act Guidelines and **ANSI A117.1** Requirements for the physically challenged.