

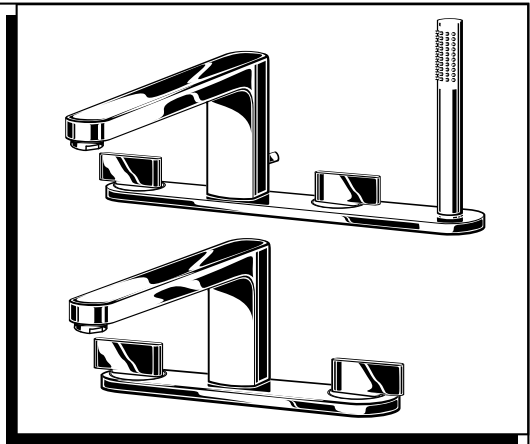
## MOMENTS DECK MOUNT BATH FILLER

2506.900  
2506.901

Congratulations on purchasing your American Standard faucet with EverClean™ finish a features found only on American Standard faucets.

### EverClean™ Finish

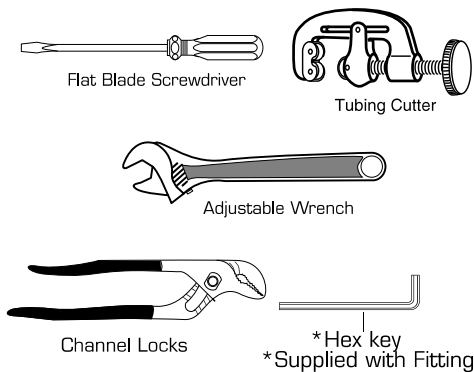
- One wipe effortlessly removes spots.
- Eliminates the need for cleaners and scrubbing.
- Permanent surface protectant remains beautiful for the life of the faucet.
- EverClean™ available on: Polished Chrome, Satin Nickel, Stainless Steel, Polished Brass (or any combination of these finishes)



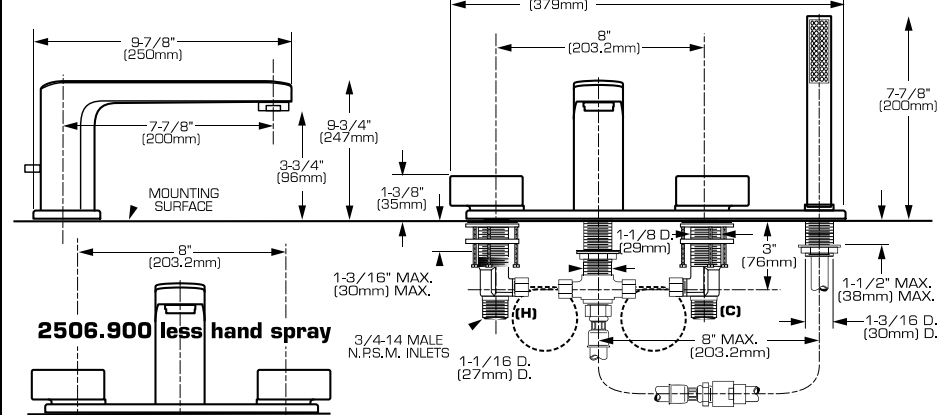
Certified to comply with ANSI A112.18.1M  
M968947

**To ensure that your installation proceeds smoothly-please read these instructions carefully before you begin.**

### Recommended Tools

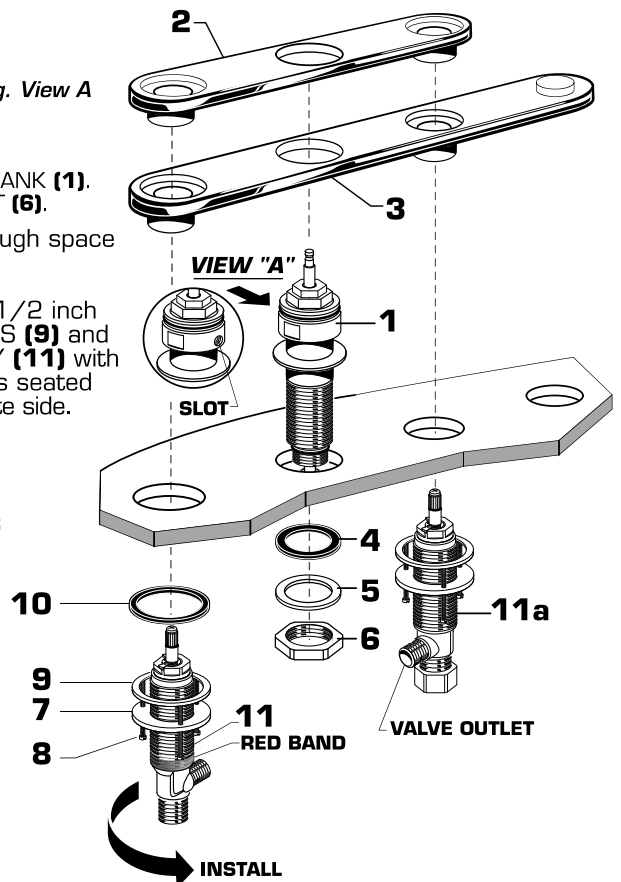
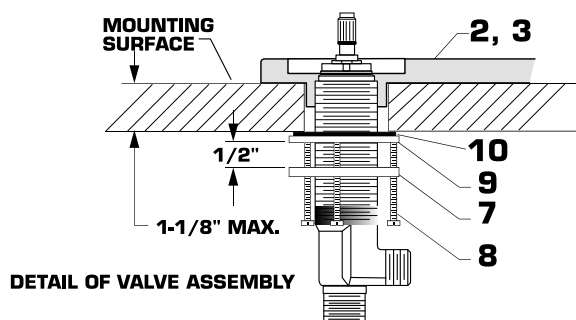


### ROUGHING-IN DIMENSIONS



## 1 SPOUT ASSEMBLY **CAUTION** Turn off hot and cold water supplies before beginning.

- Insert SPOUT SHANK (1) through center hole of MOUNTING SURFACE. *Important: Set screw slot in SPOUT SHANK (1) must face back of fitting. View A*
- Install 3-HOLE ESCUTCHEON (2) or 4-HOLE ESCUTCHEON (3) over SPOUT SHANK (1) and center.
- Assemble RUBBER WASHER (4) and BRASS WASHER (5) onto SPOUT SHANK (1). From underside of ledge secure SPOUT SHANK (1) into position with LOCKNUT (6).
- Thread MOUNTING RING NUTS (7) counter clock-wise to allow enough space for the thickness of the mounting surface.
- Adjust the three LOCKING SCREWS (8) so that they extend about 1/2 inch above the MOUNTING RING NUTS (7). Install MOUNTING WASHERS (9) and RUBBER WASHERS (10) onto VALVE BODIES. Thread VALVE BODY (11) with **red band** into the left side (**hot**) of the ESCUTCHEON (2, 3) until it's seated against the stop. Thread the (**cold**) VALVE BODY (11a) into the opposite side.
- Hand tighten the MOUNTING RING NUTS (7) on valve bodies. Adjust valve outlets to face the SPOUT SHANK (1).
- With a flat blade screwdriver alternately tighten the three LOCKING SCREWS (8) to secure the valve bodies. Make sure there is equal pressure on all LOCKING SCREWS (8).

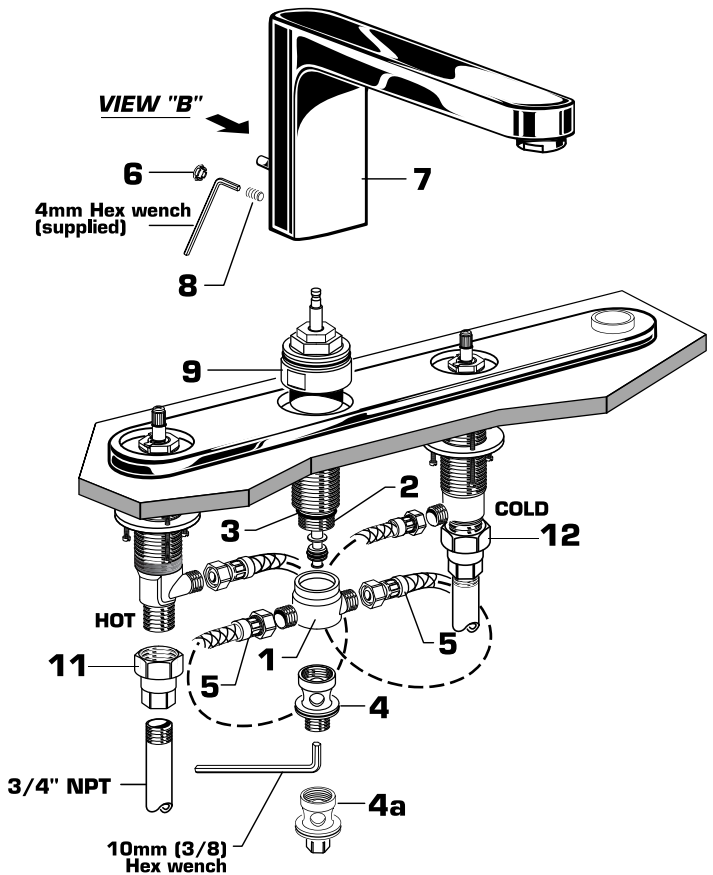
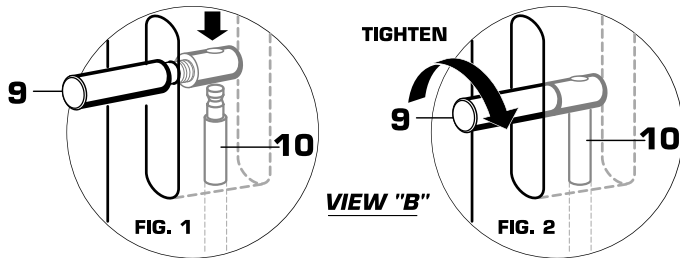


## 2 TEE AND HOSE ASSEMBLY

- Press TEE (1) onto SPOUT SHANK (2) making certain that the O-RING (3) is properly seated on SHANK (2).
- Push COUPLING (4) into TEE (1) and thread onto SPOUT SHANK (2). Tighten using a 10mm (3/8") hex wrench. (For 2506.900 less hand spray) use COUPLING (4a).
- Connect the two SUPPLY HOSES (5) to the VALVES and TEE (1). Tighten with wrench.

## 3 INSTALL TUB SPOUT

- Remove PLUG BUTTON (6) from rear of SPOUT (7). Loosen SPOUT SCREW (8) with 4mm hex wrench supplied.
- Install SPOUT (7) onto SPOUT SHANK (9). Align SPOUT (7). Pushing down on SPOUT (7) tighten SET SCREW (8). Insert PLUG BUTTON (6).
- Install DIVERTER KNOB (9) onto LIFT ROD (10) in rear of SPOUT (7). VIEW "B" Fig. 1. Thread DIVERTER KNOB (9) clock-wise to secure it to the LIFT ROD (10). VIEW "B" Fig. 2.



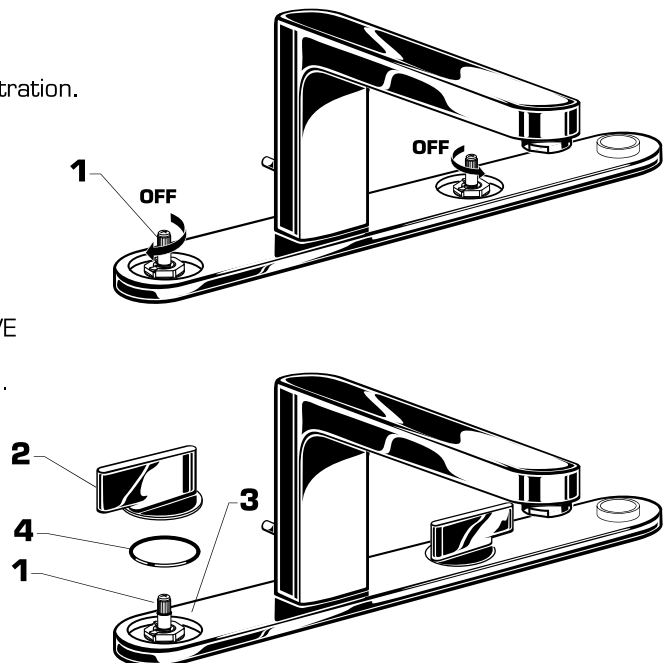
## 4 MAKE WATER SUPPLY CONNECTIONS

- Connect HOT water supply to LEFT INLET UNION (11) and COLD water supply to RIGHT INLET UNION (12). Pipe connections are 3/4" NPT. Union connections are not supplied and must be purchased separately. Use sealant or Teflon tape on pipe connections.

**IMPORTANT:** Do not solder directly to valve body.

## 5 INSTALL HANDLES

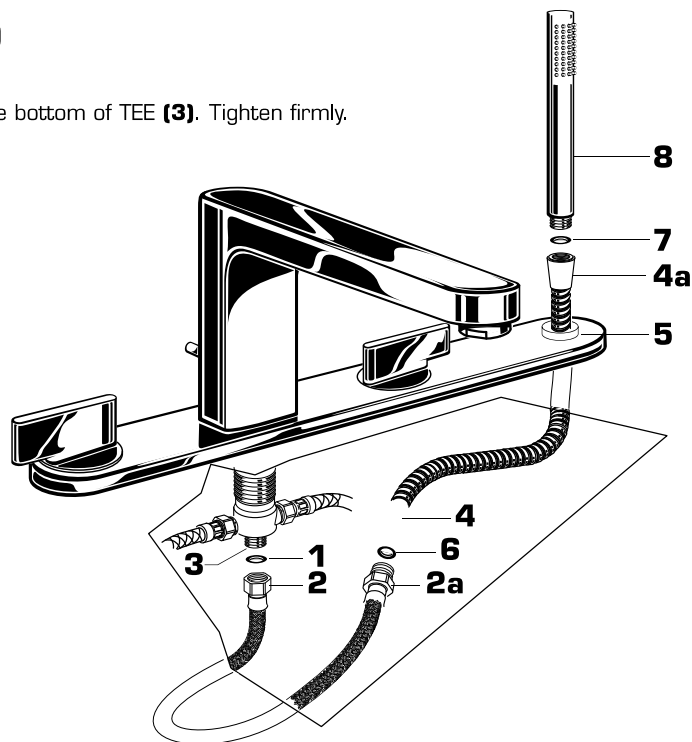
- Turn VALVE STEMS (1) to the OFF position as shown in illustration.
- Insert O-RINGS (4) into ESCUTCHEON openings.
- Align HANDLES (2) as shown. Push HANDLE (2) onto VALVE STEM (1). The HANDLE (2) is installed properly when the top of the handle base is flush with top of ESCUTCHEON (3).



## 6 HANDSHOWER INSTALLATION (For 2506.901 only)

- Install SEAL (1) and connect HOSE END (2) to outlet nipple at the bottom of TEE (3). Tighten firmly.
- Slip SHOWER HOSE COUPLING (4) through SPRAY HOLDER (5).
- Insert SEAL (6) into SHOWER HOSE (4). Connect HOSE END (4) to HOSE (2a).
- Install SEAL (7) and connect HAND SHOWER (8) to SPRAY HOSE END (4a).

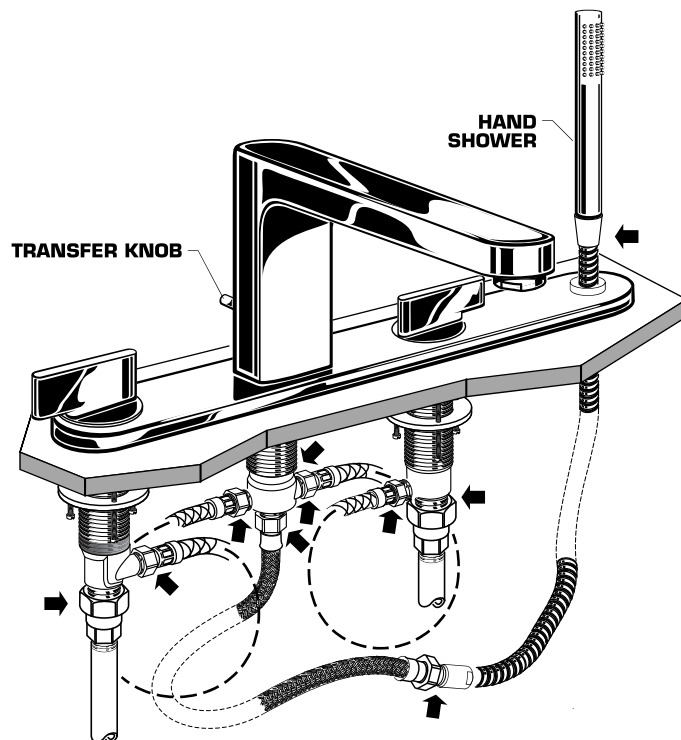
**NOTE** When not in use, HANDSHOWER should be seated in the HOLDER.



## 7 TEST INSTALLED FAUCET

- With HANDLES in OFF position, turn on WATER SUPPLIES and check all connections for leaks. ➡
- Operate both HANDLES to flush water lines thoroughly.
- Lift HAND SHOWER from HOLDER, direct spray into tub. Lift TRANSFER KNOB to check HAND SHOWER and HOSES for leaks.
- Turn handles "off" and replace HAND SHOWER.

**IMPORTANT:** It is strongly recommended that access be provided for all enclosed mechanical parts to this system.



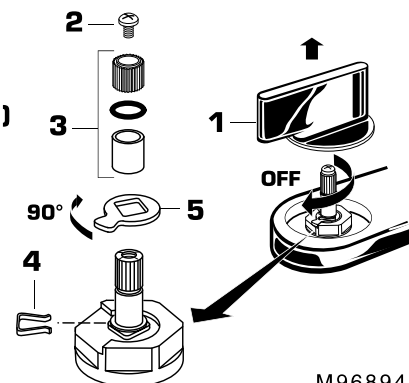
## 8 EverClean™ Finish Care Instructions

American Standard's EverClean finish will wipe clean with a soft, dry cloth. A soft cloth with clean water may also be used, if desired. No additional cleaning products are required.

**DO NOT USE:** Soaps, acid, polish, abrasives, harsh cleaners, or a cloth with a coarse surface.

## 9 SERVICE

- To change direction of handle rotation, proceed as follows:
  - Turn valve to OFF position. Pull HANDLE (1) up to remove.
  - Remove SCREW (2) and three STEM PIECES (3). Remove SPRING CLIP (4). Lift STOP WASHER (5), turn 90° and replace. Replace SPRING CLIP (4).
  - Replace items (3) and SCREW (2). Push HANDLES (1) onto valve stem.



M968947

## MOMENTS DECK-MOUNT BATH FILLER

MODEL NUMBER

**2506.900**  
**2506.901**

**M962580-YYY0A**  
SPOUT KIT (2506.900)

**M962579-YYY0A**  
SPOUT KIT (2506.901)

**M961461-YYY0A**  
BUTTON & SCREW SET

**M922388-YYY0A**  
SPOUT END

**M962582-YYY0A**  
ESCUTCHEON (2506.900)

**M962581-YYY0A**  
ESCUTCHEON (2506.901)

**M962575-YYY0A**  
TRANSFER KNOB

Replace the "YYY" with appropriate finish code

CHROME	002
STAINLESS STEEL	075

**M952452-YYY0A**  
TRANSFER  
ROD ASSEMBLY

**M962567-YYY0A**  
HANDLE KIT

**A912716-0070A**  
O-RING

**918555-0070A**  
HANDLE SCREW

**M962570-0070A**  
HANDLE  
ADAPTER KIT

**994053-0070A**  
CARTRIDGE

**M962571-0070A**  
MOUNTING KIT

**M962583-0070A**  
SHANK SLEEVE KIT

**030274-0070A**  
SHANK MOUNTING KIT

**M962584-0070A**  
SHANK KIT

**A950646-YYY0A**  
HAND SHOWER

**A900812-0070A**  
TEE

**A923008-0070A**  
HOSE

**028699-0070A**  
COUPLING (FOR TRANSFER)

**028698-0070A**  
COUPLING

**033760-0070A**  
HAND SHOWER SEAL KIT

**028667-0020A**  
HAND SHOWER HOSE

**A952849-0070A**  
CHECK VALVE

**051343-0070A**  
HOSE KIT



HOT LINE FOR HELP  
For toll-free information and answers to your questions, call:  
1 (800) 442-1902  
Weekdays 8:00 a.m. to 6:00 p.m. EST  
IN CANADA 1-800-387-0369 (TORONTO 1-905-306-1093)  
Weekdays 8:00 a.m. to 7:00 p.m. EST

Product names listed herein are trademarks of American Standard Inc.  
© American Standard Inc. 2007

# American Standard

## Installation Instructions

### MOMENTS

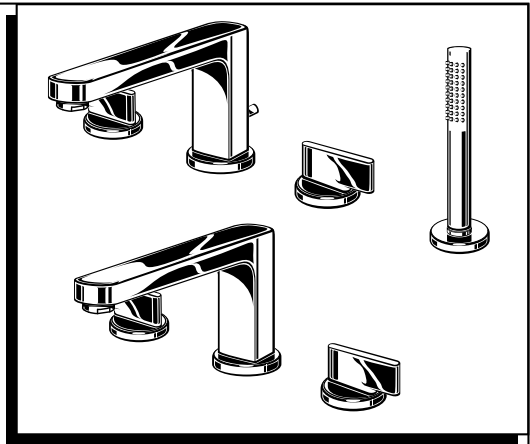
### DECK MOUNT BATH FILLER

2506.921  
2506.920

Congratulations on purchasing your American Standard faucet with EverClean™ finish a features found only on American Standard faucets.

### EverClean™ Finish

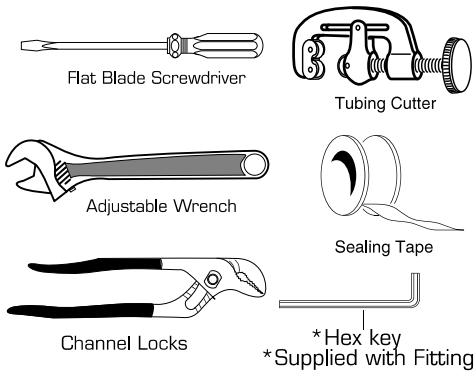
- One wipe effortlessly removes spots.
- Eliminates the need for cleaners and scrubbing.
- Permanent surface protectant remains beautiful for the life of the faucet.
- EverClean™ available on: Polished Chrome, Satin Nickel, Stainless Steel, Polished Brass (or any combination of these finishes)



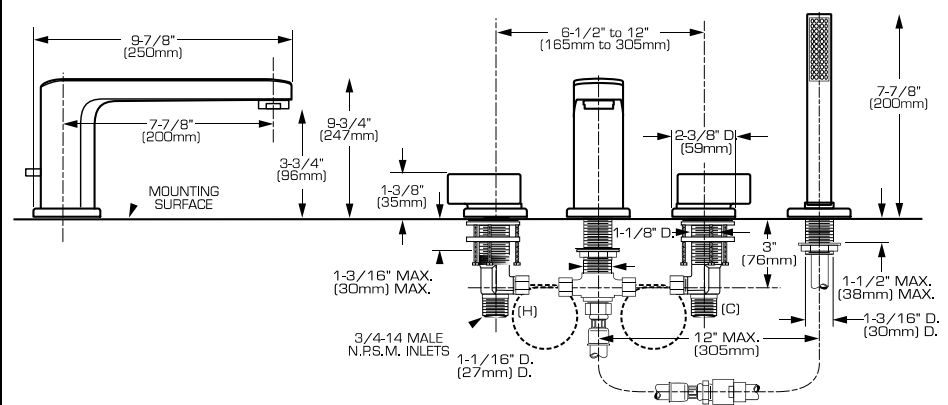
Certified to comply with ANSI A112.18.1M  
M968694

**To ensure that your installation proceeds smoothly-please read these instructions carefully before you begin.**

#### Recommended Tools



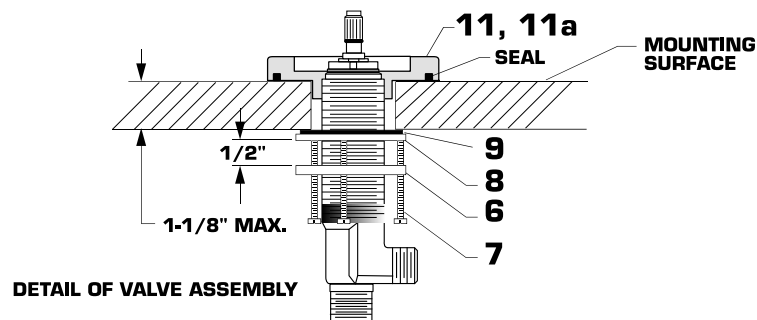
#### ROUGHING-IN DIMENSIONS



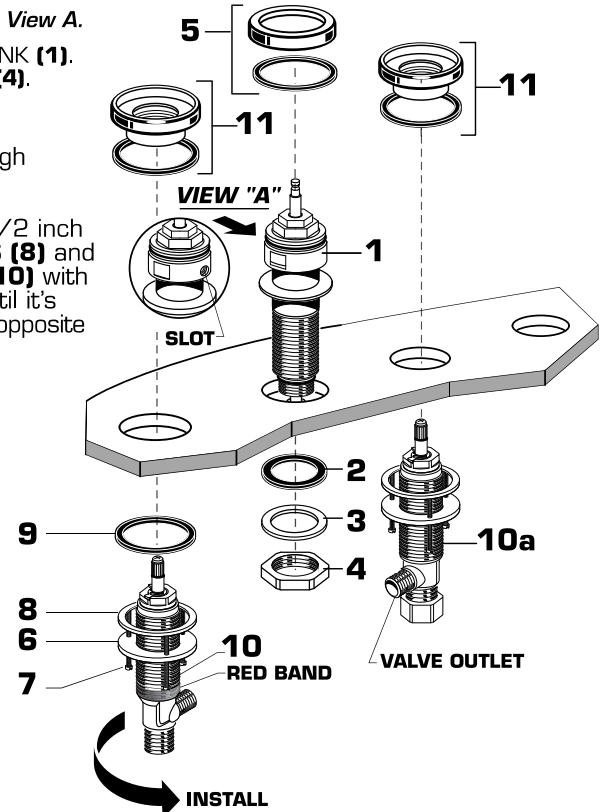
## 1 SPOUT AND VALVE ASSEMBLY

**CAUTION** Turn off hot and cold water supplies before beginning.

- Insert SPOUT SHANK (1) through center hole of MOUNTING SURFACE. *Important: Set screw slot in SPOUT SHANK (1) must face back of fitting. View A.*
- Assemble RUBBER WASHER (2) and BRASS WASHER (3) onto SPOUT SHANK (1). From underside of ledge secure SPOUT SHANK (1) into position with LOCKNUT (4).
- Install SPOUT ESCUTCHEON AND SEAL (5) onto SPOUT SHANK (1).
- Thread MOUNTING RING NUTS (6) counter clock-wise to allow enough space for the thickness of the mounting surface.
- Adjust the three LOCKING SCREWS (7) so that they extend about 1/2 inch above the MOUNTING RING NUTS (6). Install MOUNTING WASHERS (8) and RUBBER WASHERS (9) onto VALVE BODIES. Thread VALVE BODY (10) with **red band** into the left side (**hot**) of the VALVE ESCUTCHEON (11) until it's seated against the stop. Thread the (**cold**) VALVE BODY (10a) into the opposite VALVE ESCUTCHEON (11).
- Hand tighten the MOUNTING RING NUTS (6) on valve bodies. Adjust valve outlets to face the SPOUT SHANK (1).
- With a flat blade screwdriver alternately tighten the three LOCKING SCREWS (7) to secure the valve bodies. Make sure there is equal pressure on all LOCKING SCREWS (7).

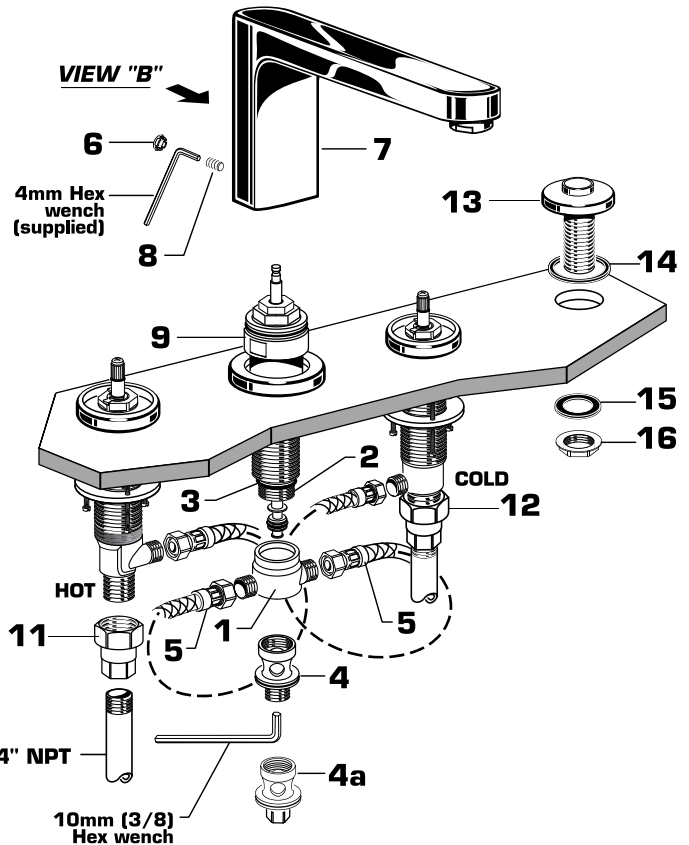


DETAIL OF VALVE ASSEMBLY



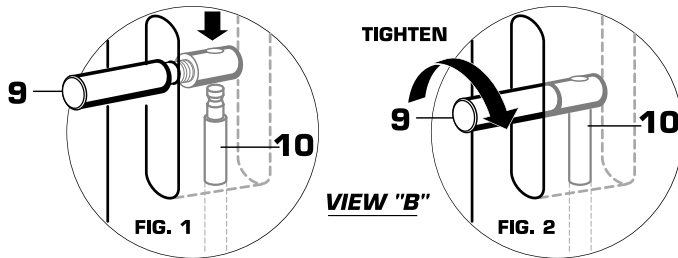
## 2 TEE AND HOSE ASSEMBLY

- Press TEE (1) onto SPOUT SHANK (2) making certain that the O-RING (3) is properly seated on SHANK (2).
- Push COUPLING (4) into TEE (1) and thread onto SPOUT SHANK (2). Tighten using a 10mm (3/8") hex wrench. For fitting less hand spray use COUPLING (4a).
- Connect the ends of the two SUPPLY HOSES (5) to the VALVES and TEE (1). Tighten with wrench.



## 3 INSTALL TUB SPOUT

- Remove PLUG BUTTON (6) from rear of SPOUT (7). Loosen SPOUT SCREW (8) with 4mm hex wrench supplied.
- Install SPOUT (7) onto SPOUT SHANK (9). Align SPOUT (7). Pushing down on SPOUT (7) tighten SET SCREW (8). Insert PLUG BUTTON (6).
- Install DIVERTER KNOB (9) onto LIFT ROD (10) in rear of SPOUT (7). VIEW "B" Fig. 1. Thread DIVERTER KNOB (9) clock-wise to secure it to the LIFT ROD (10). VIEW "B" Fig. 2.



## 4 MAKE WATER SUPPLY CONNECTIONS

- Connect HOT water supply to LEFT INLET UNION (11) and COLD water supply to RIGHT INLET UNION (12). Pipe connections are 3/4" NPT. Union connections are not supplied and must be purchased separately. Use sealant or Teflon tape on pipe connections. Use sealant or Teflon tape on pipe connections.

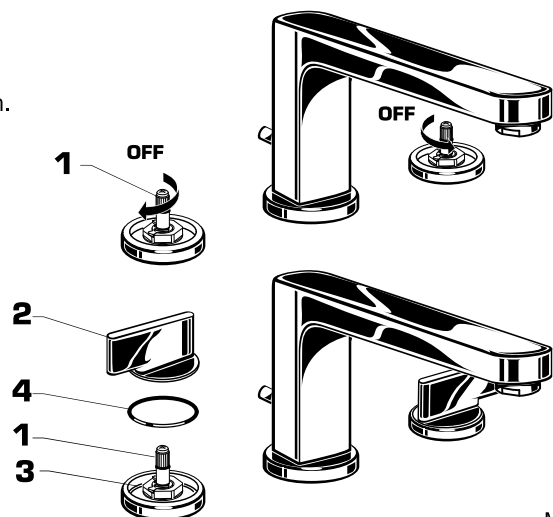
**IMPORTANT:** Do not solder directly to valve body.

## 5 INSTALL SPRAY HOLDER

- Drop SPRAY ESCUTCHEON (13) through the fourth hole of the tub ledge (12" max from SPOUT center). Be sure RUBBER RING (14) is properly seated in SPRAY ESCUTCHEON (13). Install RUBBER WASHER (15) and LOCKNUT (16) from underside of ledge.
- Secure SPRAY ESCUTCHEON (13) by tightening LOCKNUT (16).

## 6 INSTALL HANDLES

- Turn VALVE STEMS (1) to the OFF position as shown in illustration.
- Insert O-RINGS (4) into ESCUTCHEONS (3).
- Align HANDLES (2) as shown. Push HANDLE (2) onto VALVE STEM (1). The HANDLE (2) is installed properly when the top of the handle base is flush with top of ESCUTCHEON (3).

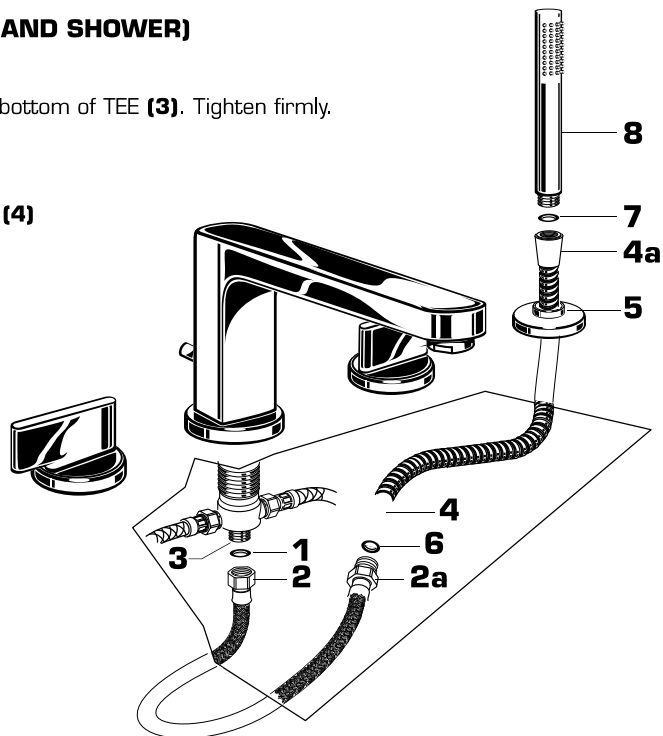




## 6 HANDSHOWER INSTALLATION (FOR FITTING WITH HAND SHOWER)

- Install SEAL (1) and connect HOSE END (2) to outlet nipple at the bottom of TEE (3). Tighten firmly.
- Slip SHOWER HOSE COUPLING (4) through SPRAY HOLDER (5)
- Insert SEAL (6) into SHOWER HOSE END (4). Connect HOSE END (4) to HOSE (2a).
- Install SEAL (7) and connect HAND SHOWER (8) to SPRAY HOSE END (4a).

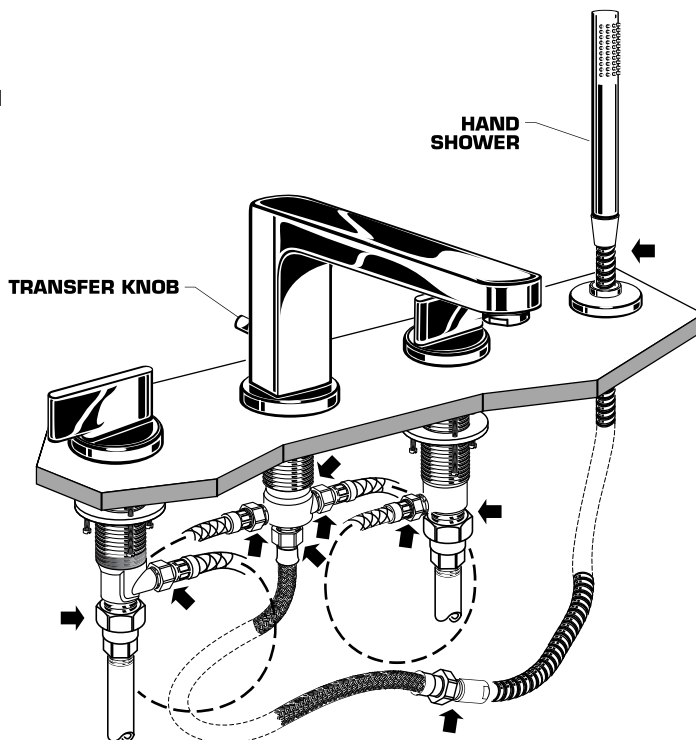
**NOTE** When not in use, HANDSHOWER should be seated in the HOLDER.



## 7 TEST INSTALLED FAUCET

- With HANDLES in OFF position, turn on WATER SUPPLIES and check all connections for leaks. ➡
- Operate both HANDLES to flush water lines thoroughly.
- Lift HAND SHOWER from HOLDER, direct spray into tub. Lift TRANSFER KNOB to check HAND SHOWER and HOSES for leaks.
- Turn handles "off" and replace HAND SHOWER.

**IMPORTANT:** It is strongly recommended that access be provided for all enclosed mechanical parts to this system.



## 8 EverClean™ Finish Care Instructions

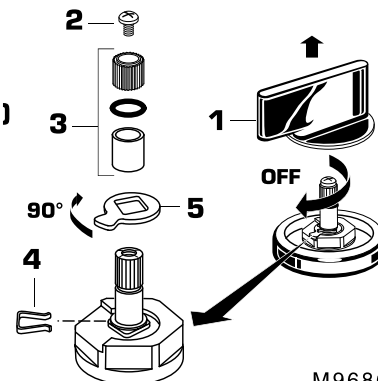
American Standard's EverClean finish will wipe clean with a soft, dry cloth.

A soft cloth with clean water may also be used, if desired. No additional cleaning products are required.

**DO NOT USE:** Soaps, acid, polish, abrasives, harsh cleaners, or a cloth with a coarse surface.

## 9 SERVICE

- To change direction of handle rotation, proceed as follows:
  - Turn valve to OFF position. Pull HANDLE (1) up to remove.
  - Remove SCREW (2) and three STEM PIECES (3). Remove SPRING CLIP (4). Lift STOP WASHER (5), turn 90° and replace. Replace SPRING CLIP (4).
  - Replace items (3) and SCREW (2). Push HANDLES (1) onto valve stem.



M968694

## MOMENTS DECK-MOUNT BATH FILLER

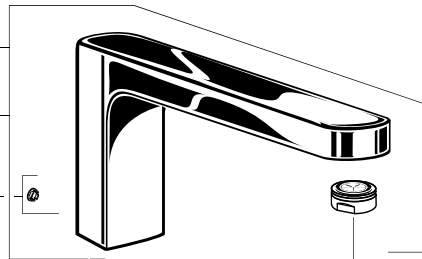
MODEL NUMBER

**2506.921**  
**2506.920**

**M962579-YYY0A**  
SPOUT KIT (2506.921)

**M962580-YYY0A**  
SPOUT KIT (2506.920)

**M961461-YYY0A**  
BUTTON & SCREW SET



**922388-YYY0A**  
SPOUT END

**M962585-YYY0A**  
SPOUT ESCUTCHEON KIT

**M962575-YYY0A**  
TRANSFER KNOB

Replace the "YYY" with appropriate finish code

CHROME	002
STAINLESS STEEL	075

**M962567-YYY0A**  
HANDLE KIT

**M952452-YYY0A**  
TRANSFER  
ROD ASSEMBLY

**A912716-0070A**  
O-RING

**030274-0070A**  
SHANK MOUNTING KIT

**M962573-YYY0A**  
HANDLE  
ESCUTCHEON

**M962583-0070A**  
SHANK SLEEVE KIT

**918555-0070A**  
HANDLE SCREW

**A950646-YYY0A**  
HAND SHOWER

**M962570-0070A**  
HANDLE  
ADAPTER KIT

**M962584-0070A**  
SHANK KIT

**994053-0070A**  
CARTRIDGE

**M962587-YYY0A**  
HAND SHOWER  
HOLDER

**M962571-0070A**  
MOUNTING KIT

**A900812-0070A**  
TEE

**A923008-0070A**  
HOSE

**028699-0070A**  
COUPLING (FOR TRANSFER)

**028698-0070A**  
COUPLING

**033760-0070A**  
HAND SHOWER SEAL KIT

**028667-0020A**  
HAND SHOWER HOSE

**A952849-0070A**  
CHECK VALVE

**051343-0070A**  
HOSE KIT



HOT LINE FOR HELP  
For toll-free information and answers to your questions, call:  
1 (800) 442-1902  
Weekdays 8:00 a.m. to 6:00 p.m. EST  
IN CANADA 1-800-387-0369 (TORONTO 1-905-306-1093)  
Weekdays 8:00 a.m. to 7:00 p.m. EST

Product names listed herein are trademarks of American Standard Inc.  
© American Standard Inc. 2007