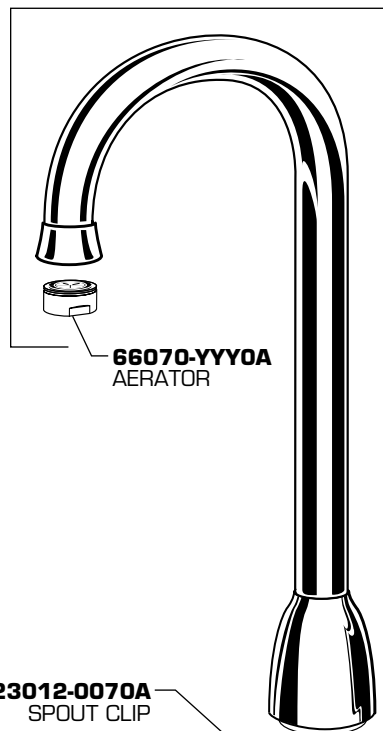


## Bar Sink Faucet

MODEL NUMBER

**4223**



**M926266-YYY0A**  
SPOUT KIT

**66070-YYY0A**  
AERATOR



**M961162-0070A**  
INDEX BUTTON (HOT)  
**M961163-0070A**  
INDEX BUTTON (COLD)



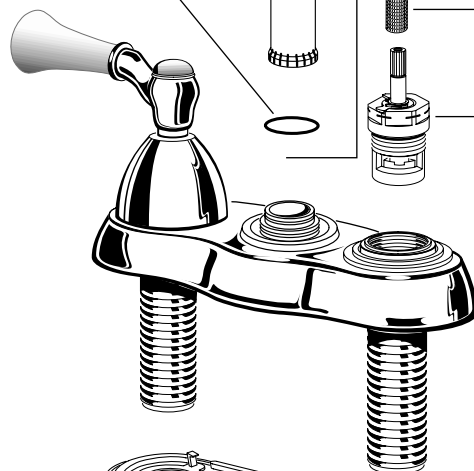
**A918572-0070A**  
HANDLE SCREW



**M962243-YYY0A**  
LEVER HANDLE

**923012-0070A**  
SPOUT CLIP

**073542-0070A**  
O-RING

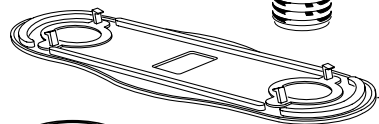


**M918049-0070A**  
ADAPTER

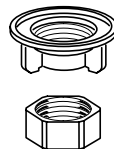
**994053-0070A**  
VALVE

Replace the "YYY" with appropriate finish code

CHROME	002
SATIN	295



**M923048-0070A**  
PUTTY PLATE



**065800-0070A**  
ATTACHMENT NUT

**024220-0070A**  
SUPPLY NUT



HOT LINE FOR HELP  
For toll-free information and answers to your questions, call:  
1-800-442-1902  
Weekdays 8:00 a.m. to 8:00 p.m. EST  
IN CANADA 1-800-387-0369 (TORONTO 1-905-306-1093)  
Weekdays 8:00 a.m. to 7:00 p.m. EST

Product names listed herein are trademarks of American Standard Inc.  
© American Standard Inc. 2003