

American Standard

JASMINE
AMARILIS

**HI-FLOW
KITCHEN FAUCET**

Thank you for selecting American Standard...
the benchmark of fine quality for over 100 years.

To ensure that your installation proceeds smoothly—
please read these instructions carefully before you begin.

**Installation
Instructions**
3821.831
3821.834



Certified to comply with ANSI A112.18.1M
M968150 REV. 1.1

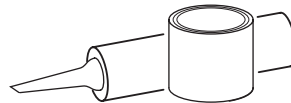
TOOLS REQUIRED



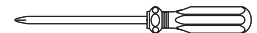
Channel Locks



Adjustable Wrench



Plumbers' Putty or Caulking



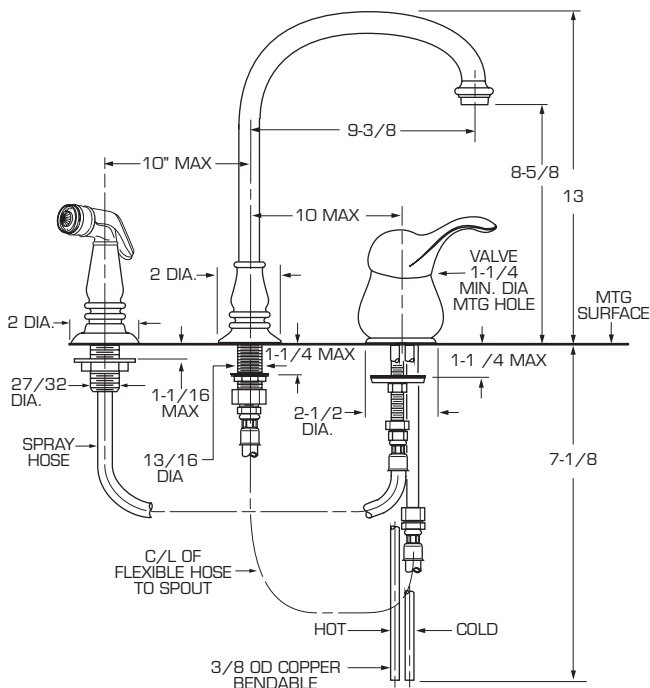
Phillips Screwdriver



Regular Screwdriver

ROUGHING-IN DIMENSIONS

Before starting installation, place each component loosely into the holes of the kitchen sink to select the most desirable arrangement.

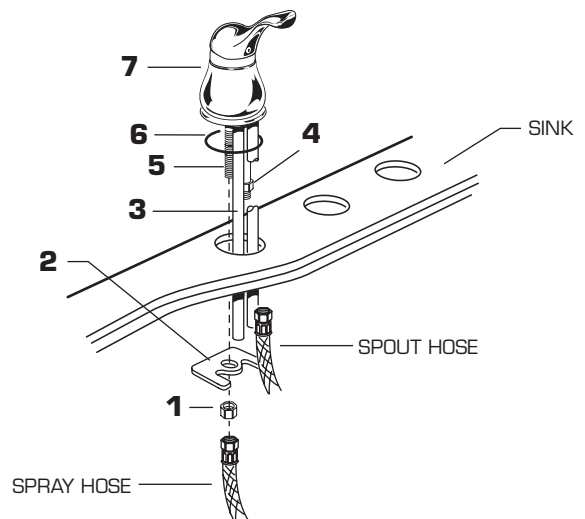


1 VALVE INSTALLATION

CAUTION Turn off water at main supply.

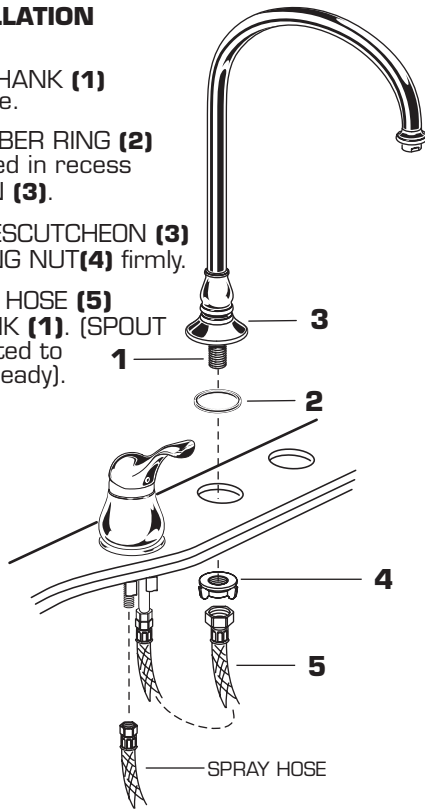
This faucet permits an interchangeable mounting of each integral component – spout, valve, and hand spray – to suit the particular installation requirements.

- Remove LOCKNUT (1) and RETAINER PLATE (2).
- Insert SUPPLY TUBES (3), SPOUT HOSE (4) and THREADED STUD (5) through hole in SINK.
- Make sure O-RING (6) is properly seated in recess of BASE.
- Orient VALVE (7) so that two inlet tubes face towards the front. Assemble RETAINER PLATE (2) and LOCKNUT (1) onto STUD (5) from underside of SINK.
- Hand tighten LOCKNUT (1) and check that rotation of HANDLE from HOT to COLD is centered. Secure VALVE (7) position by tightening LOCKNUT (1) firmly. (Spread TUBES for better access to LOCKNUT).
- Bend TUBES (3) to meet supplies. Use palm of hand to support TUBES (3) while bending to avoid kinking.



2 SPOUT INSTALLATION

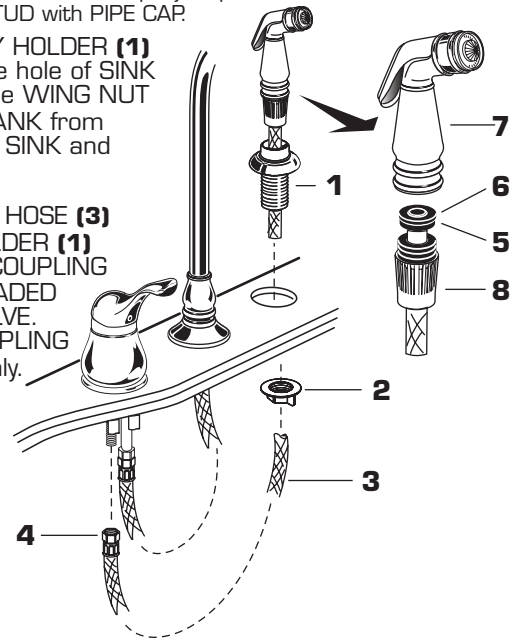
- Insert SPOUT SHANK (1) through sink hole.
- Make sure RUBBER RING (2) is properly seated in recess of ESCUTCHEON (3).
- Center SPOUT ESCUTCHEON (3) and tighten WING NUT (4) firmly.
- Connect SPOUT HOSE (5) to SPOUT SHANK (1). (SPOUT HOSE is connected to VALVE BODY already).



3 HAND SPRAY INSTALLATION

Note: For installation less spray, cap off THREADED STUD with PIPE CAP.

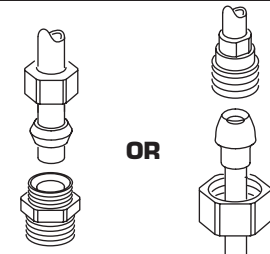
- Place SPRAY HOLDER (1) into separate hole of SINK and assemble WING NUT (2) onto SHANK from underside of SINK and tighten.
- Feed SPRAY HOSE (3) through HOLDER (1) and attach COUPLING (4) to THREADED STUD of VALVE. Tighten COUPLING NUT (4) firmly.



- Make certain that SPACER WASHER (5) and RUBBER WASHER (6) are attached to SPRAY HOSE (3) and thread SPRAY HEAD (7) to NUT (8).

4 CONNECT SUPPLIES

- Bend TUBES to meet supplies. Use palm of hand to support TUBES while bending to avoid kinking.
- Connect 3/8-inch OD inlet TUBES to water supplies with appropriate connectors. Connect LEFT tube to HOT water supply and RIGHT tube to COLD.



5 TEST INSTALLED FAUCET

- Move handle down into "off" position, remove AERATOR.
- With HANDLE in "off" position, turn on water supplies and check all connections for leaks.
- Operate handle up and down, in COLD and HOT positions, to flush water lines thoroughly and check spout mounting for leaks.
- Direct SPRAY HEAD into sink. Open faucet and activate spray. Check SPRAY HOSE connections for leaks.
- Move handle down into "off" position and replace AERATOR.

6 SERVICE

- AERATOR may accumulate dirt causing distorted and reduced water flow. Remove AERATOR and rinse clean.
- If SPOUT drips, operate handles several times from OFF to ON position. Do not force - handle.

HOT LIMIT SAFETY STOP ADJUSTMENT

By restricting handle rotation and limiting the amount of hot water allowed to mix with the cold, the HOT LIMIT SAFETY STOP reduces risk of accidental scalding. To set the maximum hot water temperature of your faucets, all you need to do is adjust the setting on the HOT LIMIT SAFETY STOP.

- Remove HANDLE BUTTON (1) and loosen SET SCREW (2). Pull HANDLE (3) off valve stem. Pull off CAP (4). Use a flat blade screwdriver or your fingers to pull up and rotate red HOT LIMIT SAFETY STOP (5). Follow Step "A" or "B" to adjust min./max. discharge temperature. "0" being the hottest to "7" the coldest temperature setting. Factory set at "0".
- Replace ESCUTCHEON CAP (4), HANDLE (3), tighten HANDLE SCREW (1) and install INDEX BUTTON (2).

