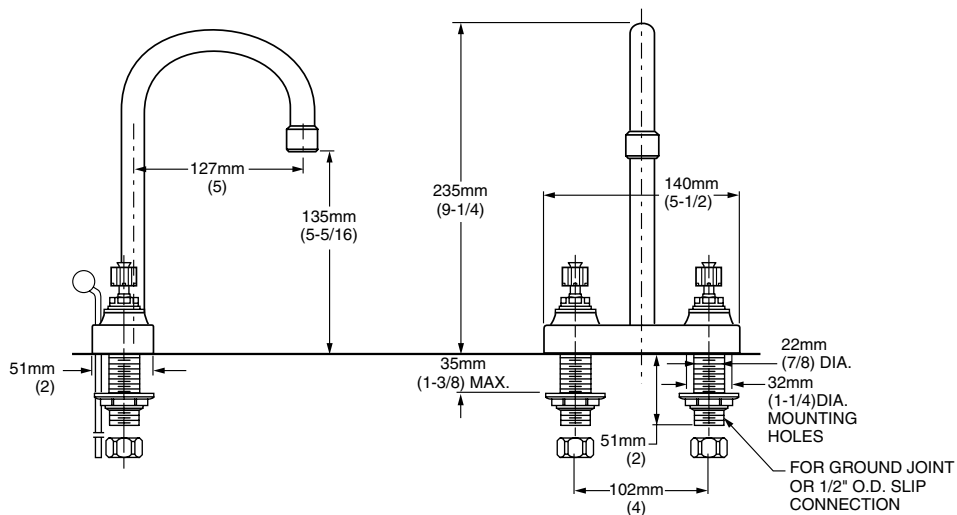


Faucet comes complete with factory installed handles.
V=Vandal-Resistant, H=Standard

MODEL NUMBER:

- 7400.172H Centerset Lavatory Faucet**
Rigid gooseneck spout. 1.5 gpm pressure compensating aerator. Brass wrist blade handles. Less drain.
- 7400.172V Centerset Lavatory Faucet**
Rigid gooseneck spout. 1.5 gpm pressure compensating aerator. Vandal-resistant brass wrist blade handles. Vandal-resistant aerator. Less drain.
- 7401.172H Centerset Lavatory Faucet**
Rigid gooseneck spout. 1.5 gpm pressure compensating aerator. Brass wrist blade handles. Pop-up drain.
- 7402.172H Centerset Lavatory Faucet**
Rigid gooseneck spout. 1.5 gpm pressure compensating aerator. Brass wrist blade handles. Grid drain.
- 7402.172V Centerset Lavatory Faucet**
Rigid gooseneck spout. 1.5 gpm pressure compensating aerator. Vandal-resistant Brass wrist blade handles. Vandal-resistant aerator. Grid drain.



GENERAL DESCRIPTION:

Durable cast brass construction. Amaris 1/4 turn washerless ceramic disc valve cartridges. One-half inch male inlet shanks with brass coupling nuts and shank nuts. Vandal-resistant faucets feature vandal-resistant aerators and index buttons on factory-installed handles. 1.5 gpm/5.7L/min. maximum flow rate.

PRODUCT FEATURES:

- Pressure Compensating Aerator:** Provides a constant water flow of 1.5 gpm throughout the pressure range.
- Solid Brass Construction:** Durable - Excellent in high use applications. Ideal for prolonged contact with water.
- Ceramic Disc Valve Cartridges:** Assures a lifetime of drip-free performance.
- Low Lead:** Meets NSF Standard 61/Section 9 & Prop 65 lead requirements.
- Factory Installed Handles:** Simplifies installation.

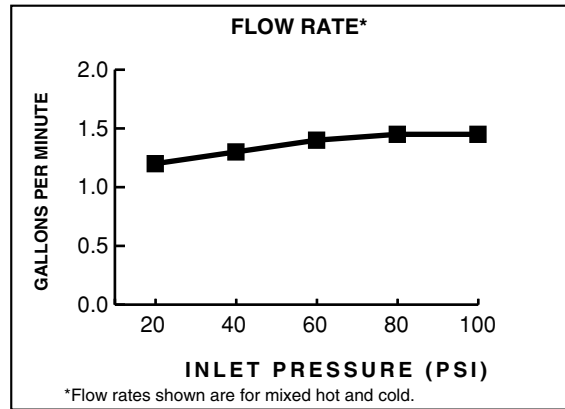
SUGGESTED SPECIFICATION:

4" centerset lavatory faucet shall be cast brass construction with all brass shank nuts and coupling nuts. Shall feature water-conserving 1.5 gpm/5.7L/min. pressure compensating aerator. Shall also feature 1/4 turn washerless ceramic disc valve cartridges. Fitting shall be American Standard Model # _____ .002.


CODES AND STANDARDS

These products meet or exceed the following codes and standards:

- ASME A112.18.1**
- CSA B 125**
- NSF 61/Section 9**



Product Number	Description	Finish
		Polished Chrome
		002
7400.172H	Centerset lavatory faucet. 1.5 gpm/5.7L/min pressure compensating aerator. Brass Wrist Blade Handles. Less drain.	
7400.172V	Centerset lavatory faucet. Vandal-resistant 1.5 gpm/5.7L/min pressure compensating aerator. Vandal-resistant Brass Wrist Blade Handles. Less drain.	
7401.172H	Centerset lavatory faucet. 1.5 gpm/5.7L/min pressure compensating aerator. Brass Wrist Blade Handles. Metal pop-up drain.	
7402.172H	Centerset lavatory faucet. 1.5 gpm/5.7L/min pressure compensating aerator. Brass Wrist Blade Handles. Grid drain.	
7402.172V	Centerset lavatory faucet. Vandal-resistant 1.5 gpm/5.7L/min pressure compensating aerator. Vandal-resistant Brass Wrist Blade Handles. Grid drain.	

 Meets the American Disabilities Act Guidelines and **ANSI A117.1** Requirements for the physically challenged.

Other Aerators Available:	
Part Suffix	Description
V15	1.5 gpm Pressure Compensating Vandal-Resistant Aerator
L15	1.5 gpm Pressure Compensating Laminar Flow
LV15	1.5 gpm Pressure Compensating Vandal-Resistant Laminar Flow Outlet
V05	0.5 gpm Pressure Compensating Vandal-Resistant Spray