

American Standard

HERITAGE
AMARILIS

Installation Instructions

**7100 SERIES
7190 SERIES**



Certified to comply with ANSI A112.18.1M
U.S. Patent No. 5,819,789

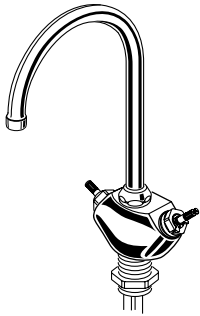
HERITAGE SERIES SINGLE-HOLE BAR/PANTRY FITTINGS WITH SWING SPOUT

*Thank you for selecting American-Standard...the benchmark
of fine quality for over 100 years.*

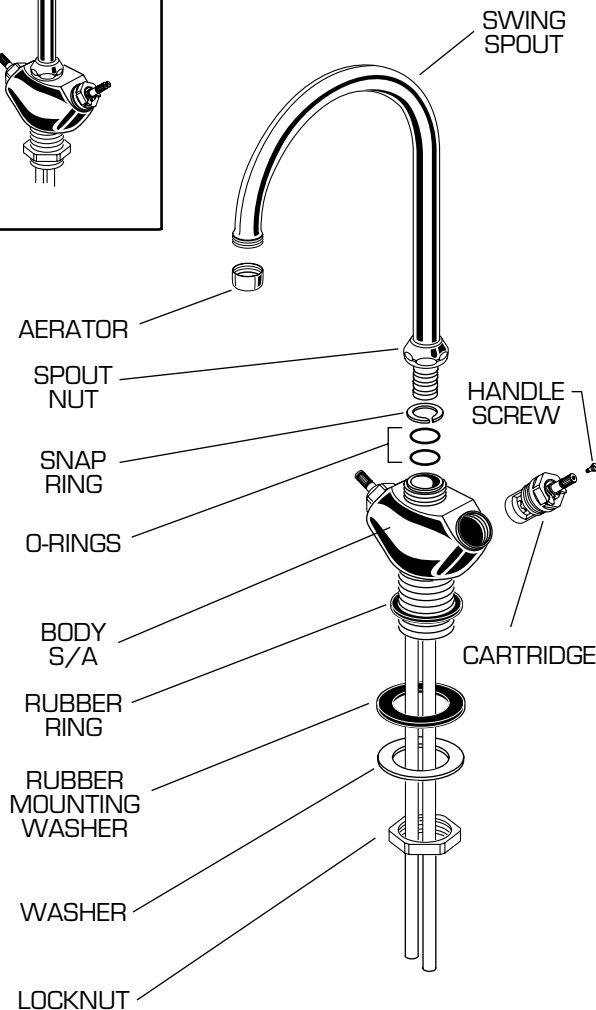
*To ensure that your installation proceeds smoothly—please
read these instructions carefully before you begin.*

34440N

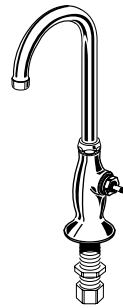
7190 SERIES 2-HANDLE



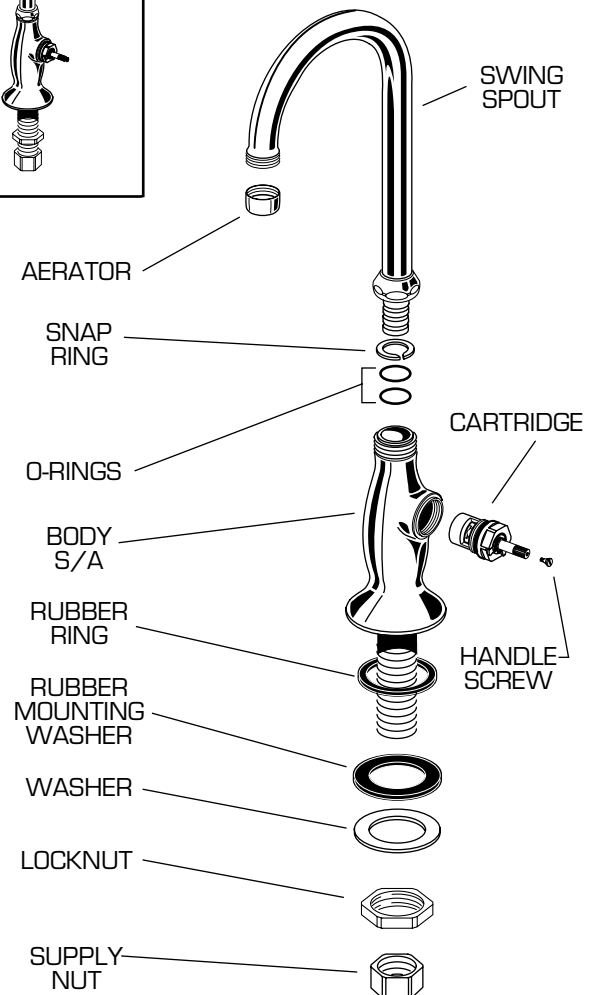
MODEL 7190



7100 SERIES 1-HANDLE



MODEL 7100



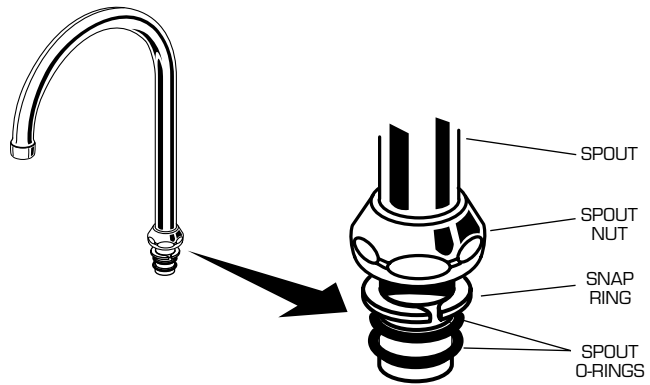
1

CAUTION

Turn off hot and cold water supplies before beginning.

SWING SPOUT ASSEMBLY

- Apply the grease (provided) liberally to the SPOUT O-RING and SNAP RING areas.
- Assemble the SPOUT and tighten the SPOUT NUT until snug on VALVE BODY.



2

FITTING INSTALLATION

- Remove LOCKNUT, BRASS WASHER, and RUBBER WASHER from fitting.
- Place RUBBER RING in recess of fitting.
- Insert inlet tubes (on model 7190 only) and THREADED SHANK through hole of sink making certain RUBBER RING is properly seated in the recess of the fitting base.
- Assemble RUBBER WASHER, BRASS WASHER, and LOCKNUT onto the THREADED SHANK from underside of sink deck.
- Tighten the LOCKNUT securely.

For Model 7190 Only

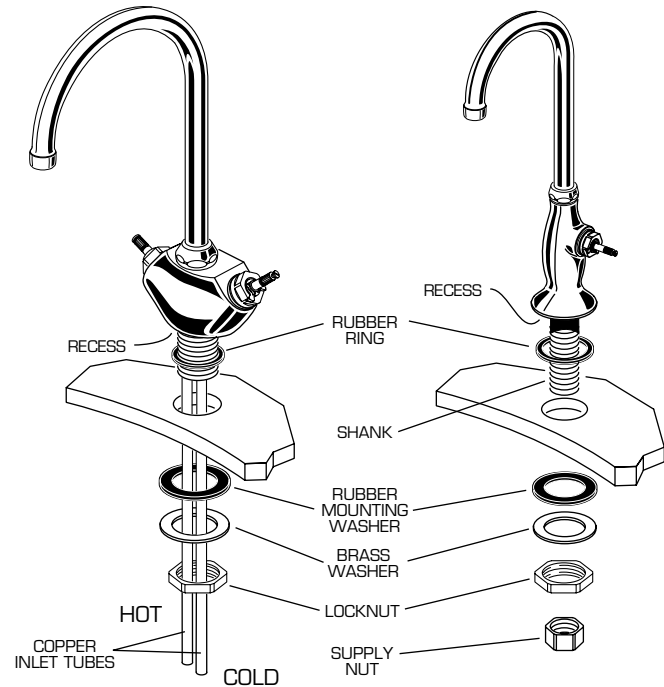
- Bend the inlet tubes to meet the supply lines.
NOTE: Use the palm of your hand to support the inlet tubes during bending to avoid kinking of the tubes.
- Connect the hot water supply line to the left inlet tube and the cold water supply line to the right inlet tube using appropriate connectors.

For Model 7100 Only

- Connect hot or cold water supply lines to shank using sealant, appropriate connectors, and coupling nuts.

MODEL 7190

MODEL 7100



3

TEST INSTALLED FAUCET

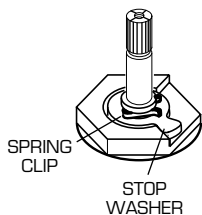
- Remove AERATOR.
- With handle in OFF position, turn on water supplies and check all connections for leaks.
- Operate both handles to flush water lines thoroughly. Check spout mounting and hose connections for leaks.
- Turn handles into OFF position and replace AERATOR.

4

SERVICE

- To change direction of handle rotation, proceed as follows:

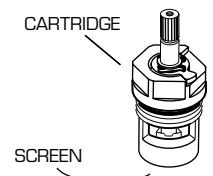
- Turn valve to OFF position.
- Remove INSERT and HANDLE SCREW.
- Slip HANDLE with ADAPTER off.
- Remove SPRING CLIP.
- Lift STOP WASHER, turn 90° and replace.
- Replace SPRING CLIP.
- Replace ADAPTER, HANDLE, SCREW, and INSERT.



- AERATOR may accumulate dirt causing distorted and reduced water flow. Remove AERATOR and rinse clean.
- If spout drips, operate handles several times from OFF to ON position. Do not force - handles turn only 90°.

- Plastic SCREEN in CARTRIDGE may accumulate dirt causing reduced water flow. To clean, first turn off hot and cold water supplies, then:

- Remove INSERT and HANDLE SCREW.
- Slip HANDLE with ADAPTER off.
- Unscrew CARTRIDGE with wrench.
- Thoroughly rinse plastic SCREEN at base of CARTRIDGE.
- Replace CARTRIDGE until flange is tight against valve body.
- Turn valves OFF.
- Replace ADAPTER, HANDLE, SCREW, and INSERT.



HOTLINE FOR HELP

For toll-free information and answers to your questions, call:
1 (800) 223-0068
Weekdays 8:00 a.m. to 7:00 p.m. Eastern Time
Saturdays 8:00 a.m. to 4:00 p.m. Eastern Time
IN CANADA 1-800-387-0369 (TORONTO 1-416-536-5609)

Product names listed herein are trademarks of American Standard Inc.
©American Standard Inc. 1999

34440N