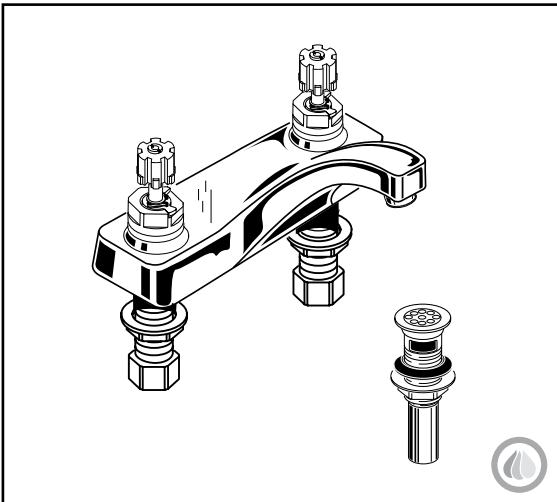


TWO-HANDLE CENTERSET LAVATORY FAUCET WITH CONVENTIONAL SPOUT & FACTORY INSTALLED HANDLES



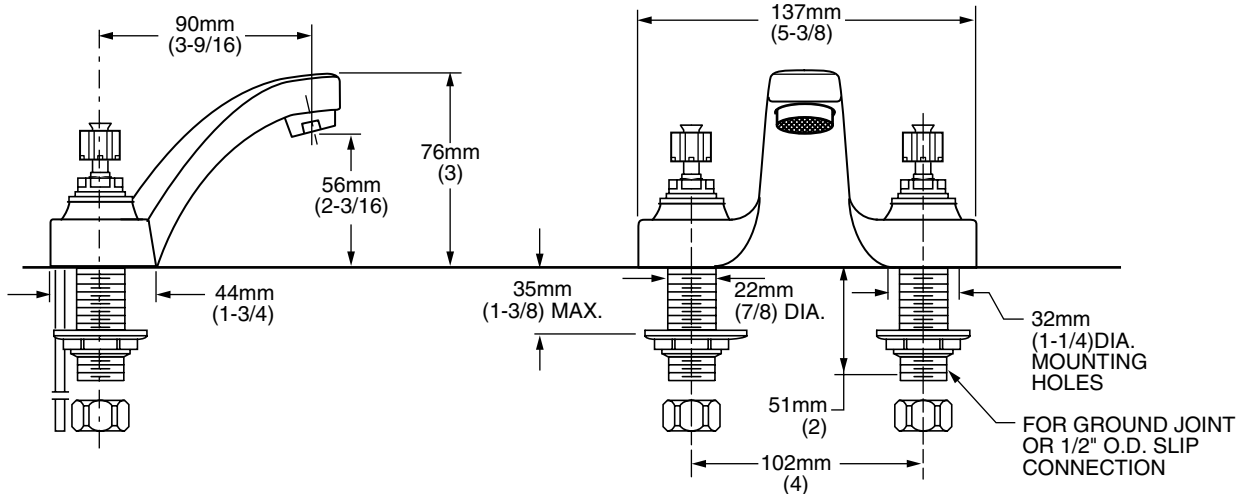
Shown without handles.

Faucet comes complete with factory installed handles.

V = Vandal-Resistant, H = Standard

MODEL NUMBER:

- 5402.142H Centerset Lavatory Faucet**
 1.5 gpm pressure compensating aerator.
 Metal lever handles. Grid drain.
- 5402.172H Centerset Lavatory Faucet**
 1.5 gpm pressure compensating aerator.
 Brass wrist bade handles. Grid drain.
- 5402.172V Centerset Lavatory Faucet**
 1.5 gpm pressure compensating aerator.
 Vandal-resistant brass wrist blade handles.
 Vandal-resistant aerator. Grid drain.



GENERAL DESCRIPTION:

Durable cast brass construction. Amaris 1/4 turn washerless ceramic disc valve cartridges. One-half inch male inlet shanks with brass coupling nuts and shank nuts. All brass drain bodies with 1-1/4" (32mm) tailpieces. Vandal-resistant faucets feature vandal-resistant aerators, drains and index buttons on factory-installed handles. 1.5 gpm/5.7L/min. maximum flow rate.

PRODUCT FEATURES:

Pressure Compensating Aerator: Provides a constant water flow of 1.5 gpm throughout the pressure range.

Solid Brass Construction: Durable - Excellent in high use applications. Ideal for prolonged contact with water.

Ceramic Disc Valve Cartridges: Assures a lifetime of drip-free performance.

Low Lead: Meets NSF Standard 61/Section 9 & Prop 65 lead requirements.

Factory Installed Handles: Simplifies installation.

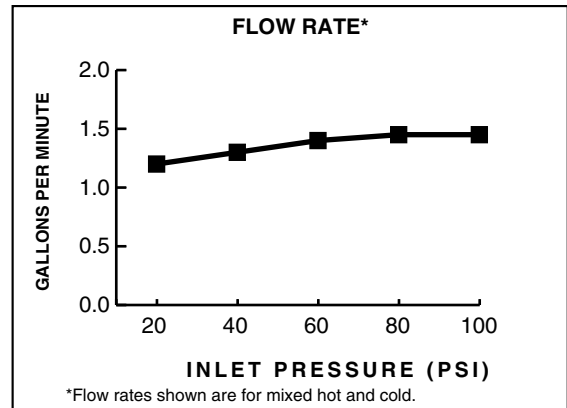
SUGGESTED SPECIFICATION:





4" centerpiece lavatory faucet shall be cast brass construction with all brass shank nuts and coupling nuts. Shall feature water-conserving 1.5 gpm/5.7L/min. pressure compensating aerator. Shall also feature 1/4 turn washerless ceramic disc valve cartridges. Fitting shall be American Standard Model # 5402.____.____.


CODES AND STANDARDS

These products meet or exceed the following codes and standards:

- ASME A112.18.1**
- CSA B 125**
- NSF 61/Section 9**



	Product Number	Description	Finish
			Polished Chrome 002
	 5402.142H	Centerset lavatory faucet. 1.5 gpm/5.7L/min pressure compensating aerator. Metal Lever Handles. Grid drain.	
	 5402.172H	Centerset lavatory faucet. 1.5 gpm/5.7L/min pressure compensating aerator. Brass Wrist Blade Handles. Grid drain.	
	5402.172V	Centerset lavatory faucet. Vandal-Resistant 1.5 gpm/5.7L/min pressure compensating aerator. Vandal-Resistant Brass Wrist Blade Handles. Grid drain.	

 Meets the American Disabilities Act Guidelines and **ANSI A117.1** Requirements for the physically challenged.

Other Aerators Available:	
Part Suffix	Description
V15	1.5 gpm Pressure Compensating Vandal-Resistant Aerator
L15	1.5 gpm Pressure Compensating Laminar Flow
LV15	1.5 gpm Pressure Compensating Vandal-Resistant Laminar Flow Outlet
V05	0.5 gpm Pressure Compensating Vandal-Resistant Spray