

GREEN TEA

Spread Lavatory Faucet
Speed Connect™ Drain

with

7010.801

Congratulations on purchasing your American Standard faucet with Speed Connect drain, a feature found only on American Standard faucets.

Speed Connect™ Drain*

- Fewer parts, installs in less time
- Never needs adjustment
- Guaranteed to seal properly the first time, every time.

*Your new American Standard faucet is designed to work only with the Speed Connect drain. Helpful tips for removing your current drain can be found in the Troubleshooting section of these instructions.

To ensure that your installation proceeds smoothly-please read these instructions carefully before you begin.



Certified to comply with ANSI A112.18.1

M968598 Rev.1.1

Recommended tools



Screwdriver



Channel Locks



Adjustable Wrench



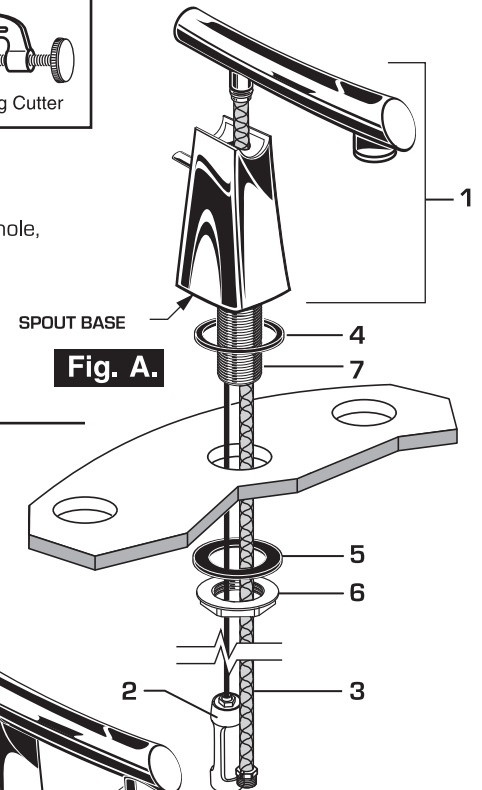
Tubing Cutter

1 INSTALL SPOUT

CAUTION

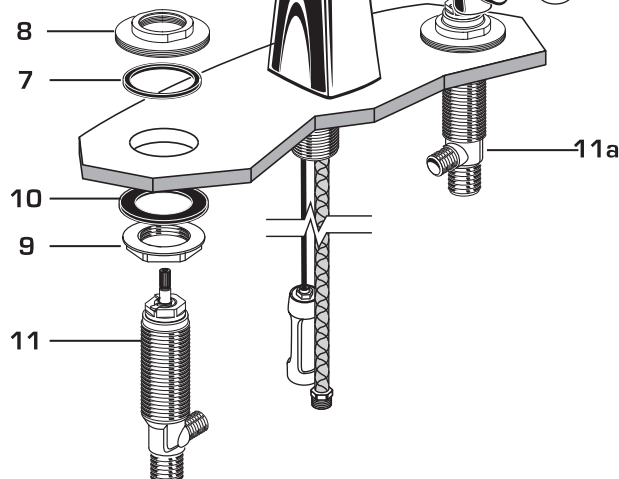
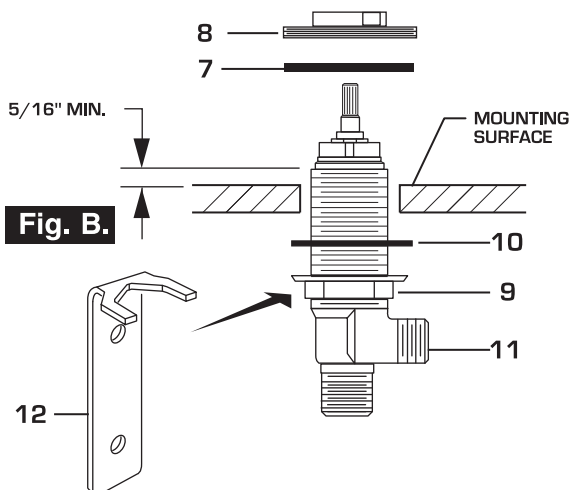
Turn off hot and cold water supplies before beginning.

- Insert SPOUT (1), CABLE CONNECTOR (2) and SPOUT HOSE (3) through center hole, making sure the SEAL WASHER (4) is properly seated in spout base.
- Assemble RUBBER WASHER (5), LOCKNUT (6) onto SPOUT SHANK (7) from under side of sink. Make sure SPOUT (1) is centered in the mounting hole.
- Tighten LOCKNUT (6) firmly. Fig. A.



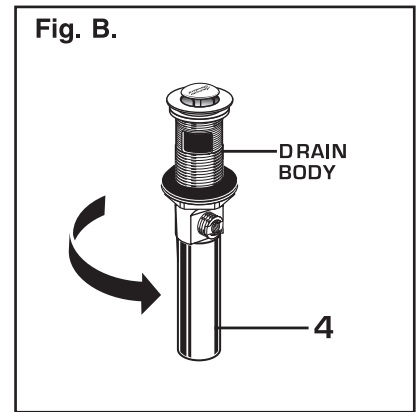
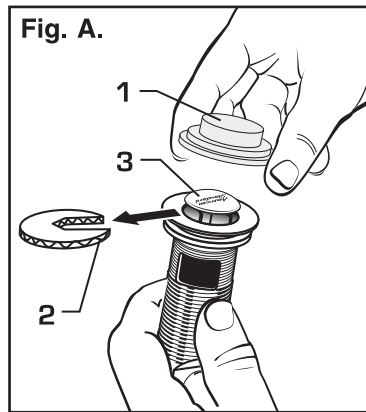
1A INSTALL VALVE BODIES

- Place RUBBER RING (7) into DECK ADAPTER (8).
- Install LOCKNUT (9) and RUBBER WASHER (10) onto VALVE BODY (11). From under side of mounting surface, install VALVE BODY (11) through valve mounting hole. Threads of VALVE BODY (11) should extend at least 5/16 of an inch above mounting surface top. Fig. B. Thread DECK ADAPTER (8) onto VALVE BODY (11) until snug against internal stop. If necessary, adjust LOCKNUT (9). Align as shown.
- Tighten LOCKNUT (9) with WRENCH (12) [supplied] to secure VALVE BODY (11). Repeat above steps for opposite VALVE BODY (11a).



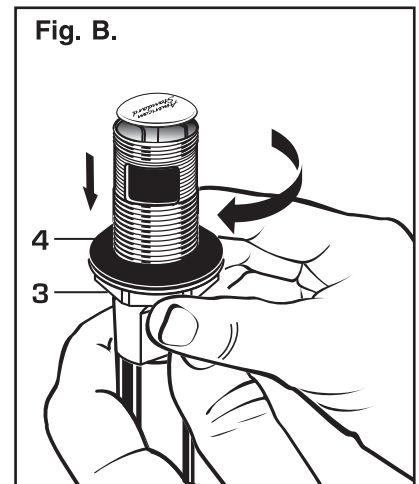
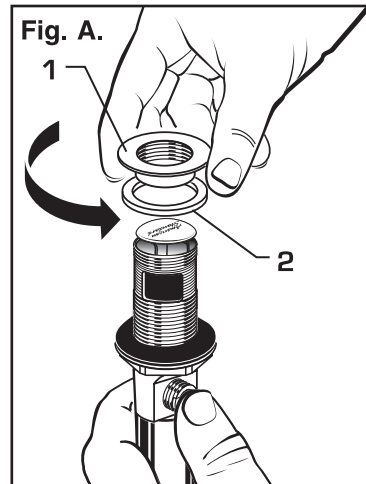
2 POP-UP DRAIN

- Remove CLEAR PLASTIC COVER (1).
- Remove CARDBOARD SPACER (2) from under DRAIN POP-UP (3).
- Tighten TAILPIECE (4) on DRAIN BODY before installing DRAIN BODY. Fig. B.



3 REMOVE FLANGE

- Thread FLANGE (1) counter-clockwise and remove FLANGE (1) and FOAM GASKET (2) from drain body. Fig. A.
- Thread LOCKNUT (3) clock-wise to bottom of drain body. Push GASKET (4) down against LOCKNUT (3). Fig. B.

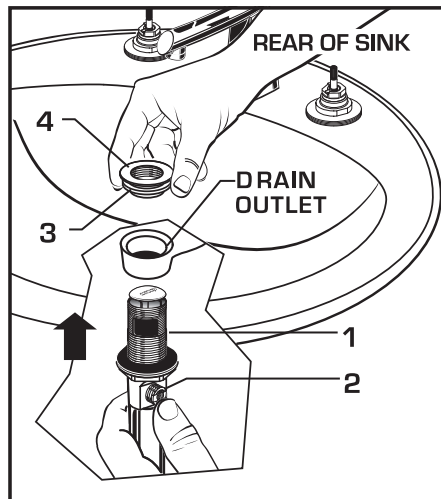


4 INSTALL DRAIN FROM BELOW FIXTURE

- From under side of SINK install DRAIN BODY (1) up through drain outlet.

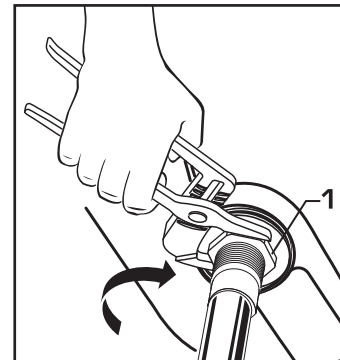
Note: No plumber's putty or caulk is required. The CABLE ATTACHMENT POINT (2) must face towards the rear of the SINK.

- Install FOAM GASKET (3) and FLANGE (4) onto drain body from above SINK and tighten FLANGE (4) firmly.



5 TIGHTEN LOCKNUT

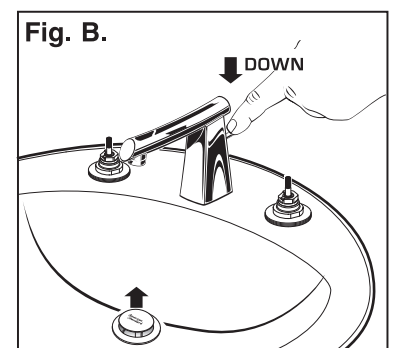
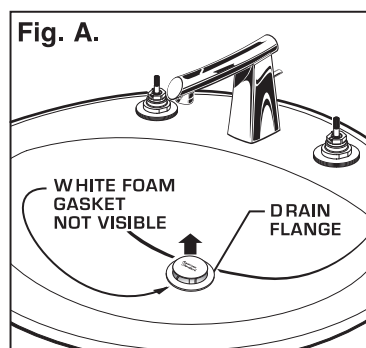
- Tighten LOCKNUT (1) firmly with Adjustable Wrench or Channel Locks.



6 FLANGE GASKET AND POP-UP KNOB

- Check DRAIN FLANGE in SINK to ensure that WHITE FOAM GASKET (3) is fully compressed and not visible. Fig. A.

- POP-UP KNOB (1) must be fully down. Fig. B.

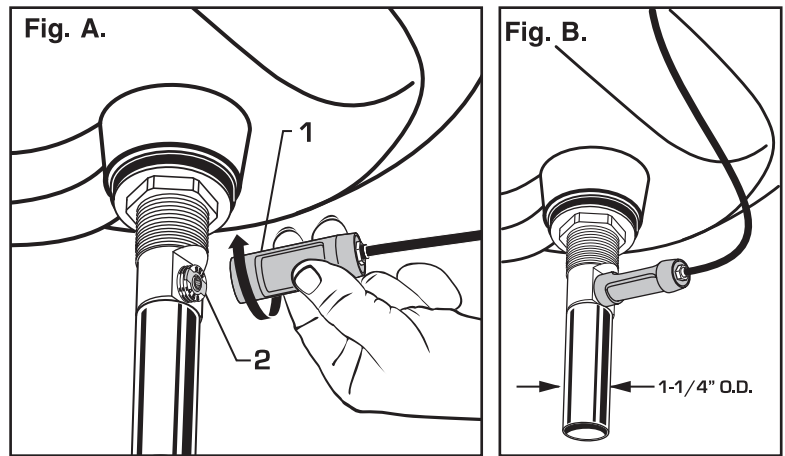


7 ATTACH CABLE CONNECTOR

- Thread CABLE CONNECTOR (1) clockwise onto DRAIN BODY CONNECTION (2) and hand tighten. Fig. A.

Your new POP-UP DRAIN installation is now complete. Fig. B.

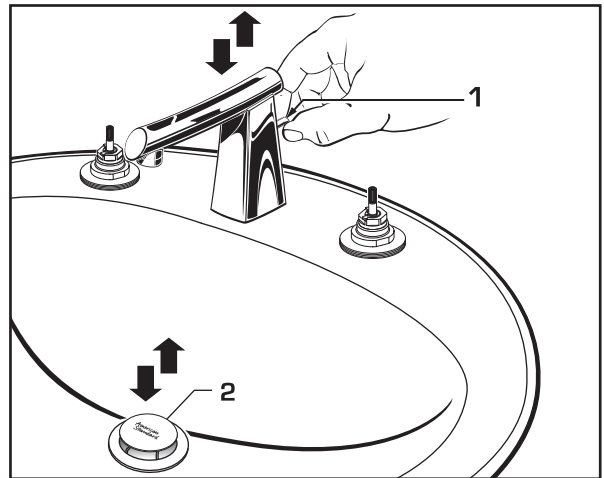
Note: Tailpiece on pop-up drain is 1-1/4" O.D. Fig. B.



8 CHECK OPERATION OF POP-UP

- Operate LIFT KNOB (1) to verify that STOPPER (2) opens and closes.

Note: If STOPPER (2) does not open and close properly then refer to the "troubleshooting section" of these instructions.



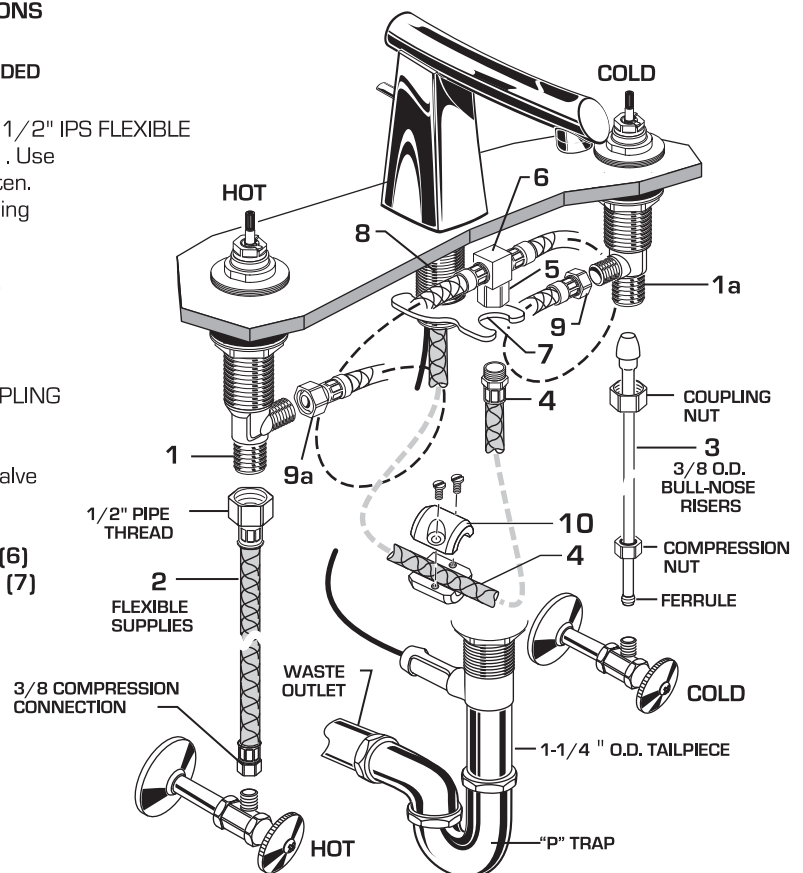
9 WATER SUPPLY, TEE, SPOUT AND WASTE CONNECTIONS

NOTE: FLEXIBLE SUPPLIES OR BULL-NOSE RISERS NOT INCLUDED AND MUST BE PURCHASED SEPARATELY.

- Connect water supply to VALVE BODIES (1,1a) with 1/2" IPS FLEXIBLE SUPPLIES (2) or 3/8" O.D. BULL-NOSE RISERS (3). Use adjustable wrench to tighten connections. Do not over tighten. Be careful not to kink copper supply when bending. Use tubing cutter to cut to proper length.
- Connect HOT water supply to inlet of left SHANK and COLD water supply to right SHANK using sealant, appropriate connectors, and COUPLING NUTS.
- Connect male thread of PULL-OUT HOSE (4) to COUPLING NUT (5) on TEE (6). Tighten with wrenches.
- Thread COUPLING NUTS (9, 9a) on TEE HOSES to valve body inlets. Tighten with adjustable wrench.
- Snap small end of HOSE HOLDER (7) between TEE (6) and COUPLING NUT (5). Then snap HOSE HOLDER (7) to SHANK (8).
- Connect 1-1/4" O.D. tailpiece on POP-UP DRAIN to waste outlet.

INSTALL WEIGHTS

- Attach WEIGHTS (10) to HOSE (4) at bottom of loop in Hose (4) as shown.

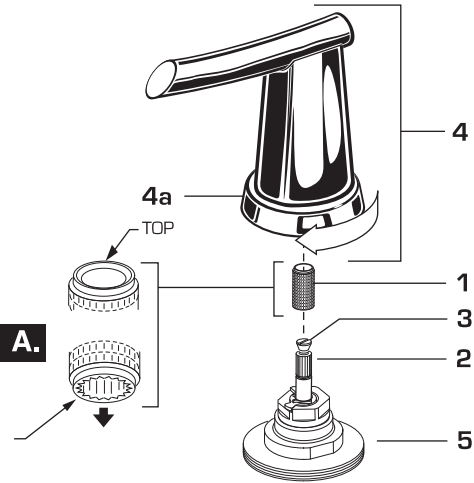


10 INSTALL HANDLES

- Push ADAPTER (1) on VALVE STEM (2), so that the hole of the ADAPTER (1) without a spline is facing up. Fig. A. Tighten STEM SCREW (3) to secure ADAPTER (1).
- Find correct position of LEVER HANDLE ASSEMBLY (4) by adjusting male teeth on ADAPTER (1) to female teeth in HANDLE (4). Push LEVER HANDLE ASSEMBLY (4) down onto ADAPTER (1).
- Thread base of LEVER HANDLE ASSEMBLY (4a) onto DECK ADAPTER (5) until snug against mounting surface.

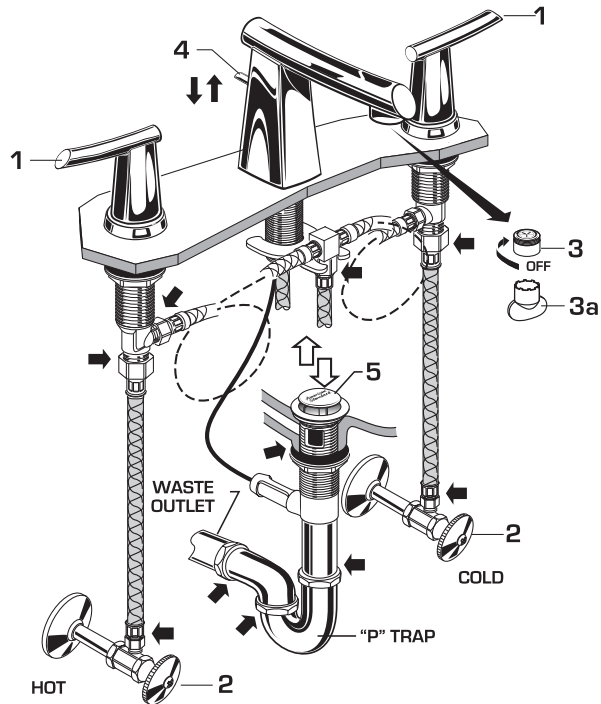
SPLINE END DOWN

Fig. A.



11 TEST INSTALLED FITTING

- With HANDLES (1) in OFF position, turn on WATER SUPPLIES (2) and check all connections for leaks. →
- Remove AERATOR (3) using KEY (3a) supplied.
- Operate both HANDLES (1) to push water lines thoroughly.
- Replace AERATOR (3).



12 CHECK DRAIN CONNECTIONS

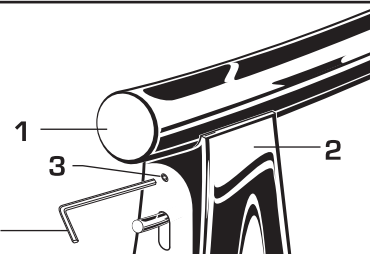
- Operate POP-UP KNOB (4) and fill lavatory with water. Check that DRAIN STOPPER (5) makes a good seal and retains water in SINK. If DRAIN STOPPER (5) does not seal properly, refer to Troubleshooting section in these instructions.
- Release POP-UP KNOB (4) down and check all drain connections and "P" trap for leaks. Tighten if necessary.

13 OPTIONAL SPOUT LOCKING FEATURE

The Pull-Out SPOUT (1) can be locked to the SPOUT BASE (2) if desired.

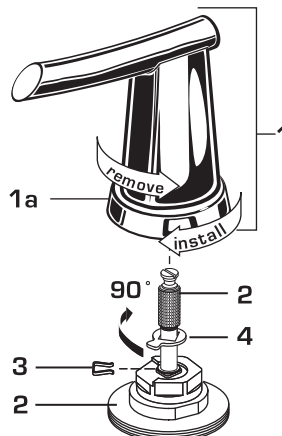
- To secure the Pull-Out SPOUT (1) to SPOUT BASE (2), tighten the SET SCREW (3) clockwise in the back of the SPOUT BASE (2) with a 2.5mm hex wrench.

2.5mm HEX WRENCH



14 SERVICE To change direction of handle:

- Turn valve to OFF position
- Thread HANDLE BASE (1a) counter clock-wise until loose.
- Pull HANDLE (1) "UP" firmly to release from ADAPTER (2).
- Remove SPRING CLIP (3). Lift STOP WASHER (4), turn 90° and replace. Replace SPRING CLIP (3).
- Re-install HANDLE ASSEMBLY (1).
- If spout drips, operate handles several times from OFF to ON position. Do not force - handles turn only 90°.



15 CARE INSTRUCTIONS:

DO: SIMPLY RINSE THE PRODUCT CLEAN WITH CLEAR WATER. DRY WITH A SOFT COTTON FLANNEL CLOTH.

DO NOT: DO NOT CLEAN THE PRODUCT WITH SOAPS, ACID, POLISH, ABRASIVES, HARSH CLEANERS, OR A CLOTH WITH A COARSE SURFACE.

Speed Connect™ Drain Troubleshooting Guide

If sink does not hold water even though Stopper is in the “down” position:
 • Follow CABLE ADJUSTMENT PROCEDURE.

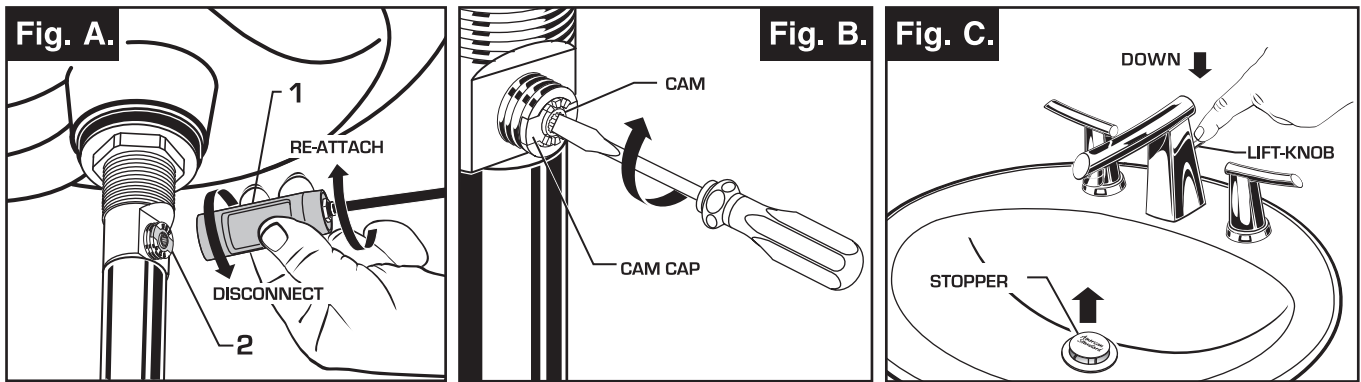
If Stopper does not raise up fully or sink drains too slowly:
 • Follow CABLE ADJUSTMENT PROCEDURE.

If you need to remove the Stopper:
 • Follow STOPPER REMOVAL PROCEDURE.

If you would like the ability to remove your Stopper simply by lifting it out of the drain:
 • Follow STOPPER INSTALLATION PROCEDURE for “Unlocked” mode .

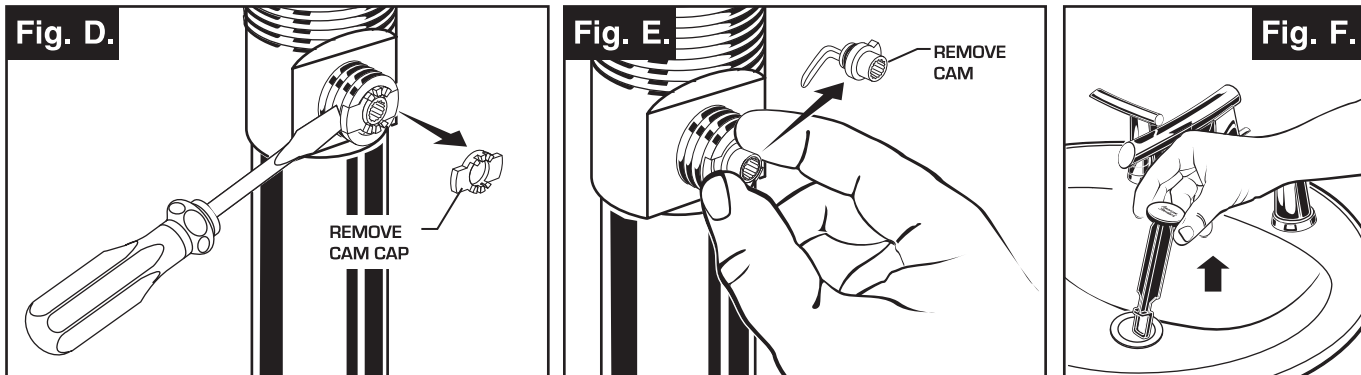
CABLE ADJUSTMENT PROCEDURE

- Disconnect the Cable from the Drain by threading the Cable Connector (1) counter-clockwise. **Fig. A.**
- Look at the area on the Drain Body where the Cable was attached and locate the component labeled as “Cam” in the illustration. **Fig. B.**
- Use a small screwdriver to rotate the Cam in the clockwise direction as far as it will go. At this point the Stopper should be in the UP position. **Fig. B, C.**
- Push DOWN on the Lift-Knob to make sure it is fully down. **Fig. C.**
- Re-attach the Cable to the Drain Body Connection (2) by threading the Cable Connector (1) clockwise onto the Drain Body Connection (2) and hand-tighten. **Fig. A.**



STOPPER REMOVAL PROCEDURE

- Disconnect the Cable from the Drain by threading the Cable Connector (1) counter-clockwise. **Fig. A.**
- Look at the area on the Drain Body where the Cable was attached and locate the component labeled as “Cam” and “Cam Cap” in the illustration. **Fig. B.**
- Use fingers or small screwdriver under either side of the Cam Cap to pry it out from the Drain. **Fig. D.**
- Remove the Cam by pulling it straight out while wiggling gently to loosen the Rubber Seal. **Fig. E.**
- The Stopper can now be removed by lifting it out of the Drain. **Fig. F.**

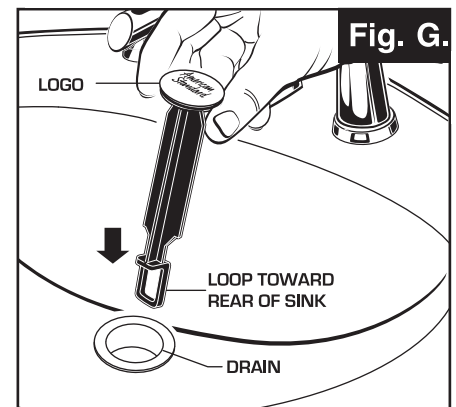


STOPPER INSTALLATION PROCEDURE

The Stopper can be installed two ways, “Locked” Mode (Stopper cannot be removed) or “Unlock” Mode (Stopper is removable).

Locked Mode:

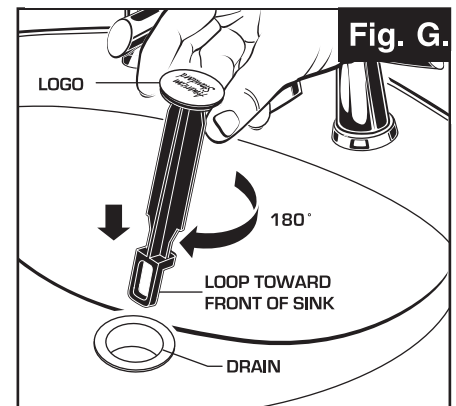
- Look at the Plastic Loop at the bottom of the Stopper and notice that the Loop is on one side of the Stopper. **Fig. G.**
- To install the stopper in “Locked” mode, insert the Stopper into the Drain so that the Plastic Loop is facing toward the rear of the Sink and the American Standard logo is facing front. Rotate Stopper slightly if necessary so that the Stopper slides all the way down. **Fig. G.**
- Re-install the Cam into the Drain, rotating the Cam if necessary to make sure it is fully inserted. **Fig. J.**
- Re-install the Cam Cap, making sure the guide teeth are facing outward. If the Cam Cap does not “snap” into place, then rotate the Cam to make sure it is fully inserted. **Fig. K.**
- Re-attach Cable. See “CABLE ADJUSTMENT PROCEDURE” in Troubleshooting Guide to complete installation. Stopper will be in “Locked” mode and not be removable.



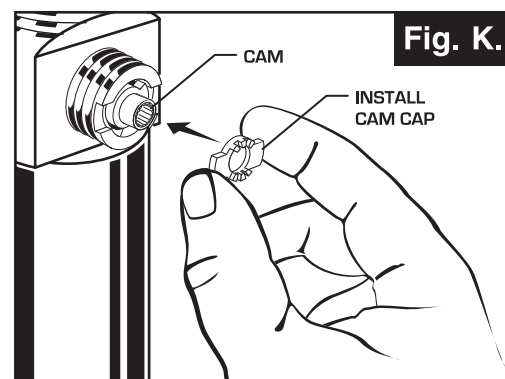
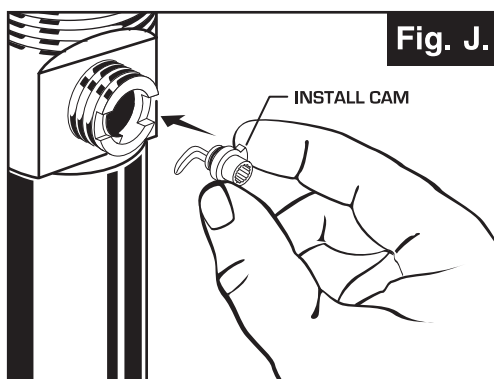
**Locked Mode
(Vandal Proof)**

Unlocked Mode:

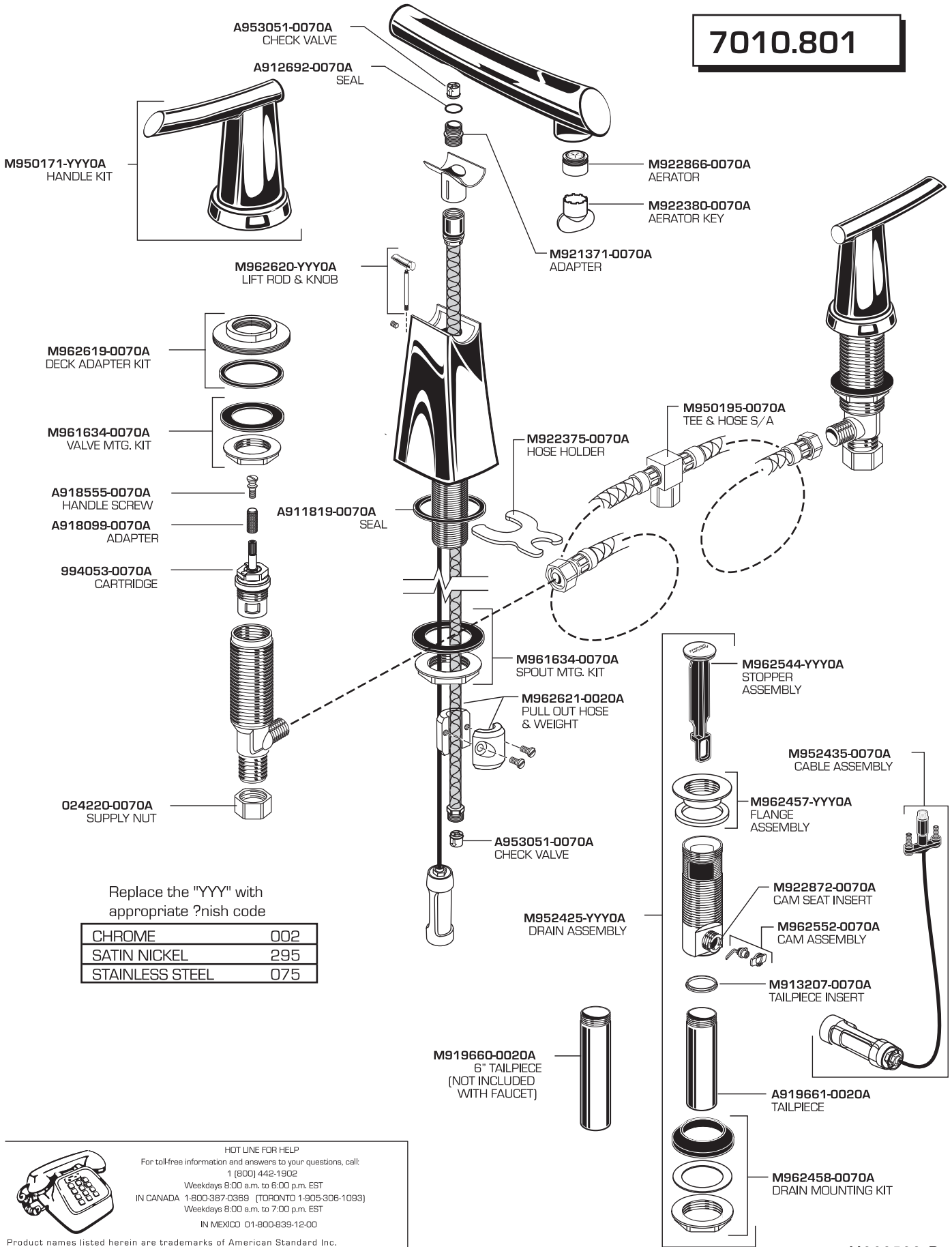
- Look at the Plastic Loop at the bottom of the Stopper and notice that the Loop is on one side of the Stopper. **Fig. H.**
- To install the stopper in “Unlocked” mode, insert the Stopper into the Drain so that the Plastic Loop is facing toward the front of the Sink and the American Standard logo is facing rear. Rotate Stopper slightly if necessary so that the Stopper slides all the way down. **Fig. H.**
- Re-install the Cam into the Drain, rotating the Cam if necessary to make sure it is fully inserted. **Fig. J.**
- Re-install the Cam Cap, making sure the guide teeth are facing outward. If the Cam Cap does not “snap” into place, then rotate the Cam to make sure it is fully inserted. **Fig. K.**
- Re-attach Cable. See “CABLE ADJUSTMENT PROCEDURE” in Troubleshooting Guide to complete installation. Stopper will be in “Unlocked” mode and removable.



Unlocked Mode



7010.801



Replace the "YYY" with appropriate finish code

CHROME	002
SATIN NICKEL	295
STAINLESS STEEL	075



HOT LINE FOR HELP
For toll-free information and answers to your questions, call:
1 (800) 442-1902
Weekdays 8:00 a.m. to 6:00 p.m. EST
IN CANADA 1-800-387-0369 (TORONTO 1-905-306-1093)
Weekdays 8:00 a.m. to 7:00 p.m. EST
IN MEXICO 01-800-839-12-00

Product names listed herein are trademarks of American Standard Inc.
© AS America, Inc. 2007