

FloWise® 1.28 ELONGATED TOILET

2073.013

- Vitreous china
- Meets definition for HET™ or High Efficiency Toilet
- High efficiency, low-consumption (4.8 Lpf/1.28 gpf)
- 3" non-adjustable, flapper-free flush valve
- Elongated siphon action jetted bowl
- 2-1/8" fully-glazed trapway
- Speed Connect® tank/bowl coupling system
- Chrome-plated trip lever
- Sanitary Dam on bowl
- 100% factory flush tested
- 2 bolt caps



3018.013 Elongated Bowl

4023.014 Tank

Nominal Dimensions:

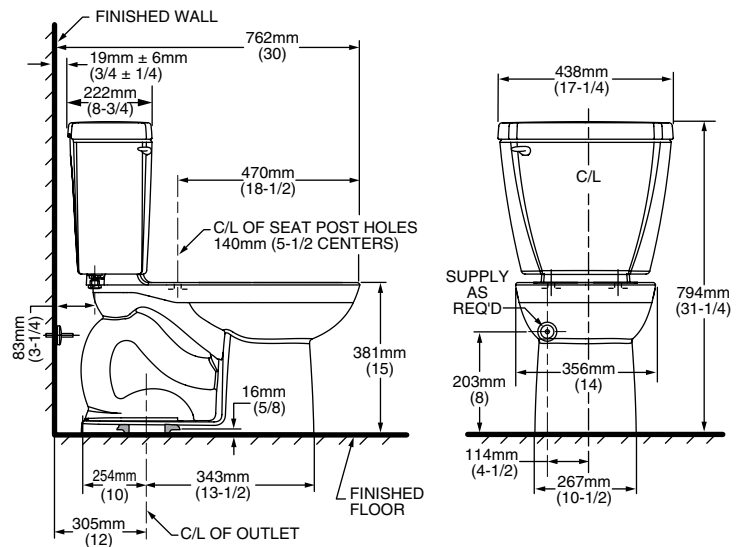
762 x 438 x 794mm
(30" x 17-1/4" x 31-1/4")

Fixture only, seat and supply by others

Compliance Certifications -

Meets or Exceeds the Following Specifications:

- ASME A112.19.2M for Vitreous China Fixtures - includes Flush Performance, Ball Pass Diameter, Trap Seal Depth and all Dimensions
- Los Angeles Department of Water and Power Supplementary Purchase Specification for Non-Adjustability



To Be Specified:

- Color:
 - White
- Seat: (please specify color)
 - Slow Close Elongated #5325.010
 - Rise & Shine Elongated #5324.019
 - Laurel Elongated #5311.012
- Supply with stop:

NOTES:

THIS TOILET IS DESIGNED TO ROUGH-IN AT A MINIMUM DIMENSION OF 305MM (12") FROM FINISHED WALL TO C/L OF OUTLET. SUPPLY NOT INCLUDED WITH FIXTURE AND MUST BE ORDERED SEPARATELY.
* DIMENSION SHOWN FOR LOCATION OF SUPPLY IS SUGGESTED.

IMPORTANT: Dimensions of fixtures are nominal and may vary within the range of tolerances established by ANSI Standard A112.19.2. These measurements are subject to change or cancellation. No responsibility is assumed for use of superseded or voided pages.