



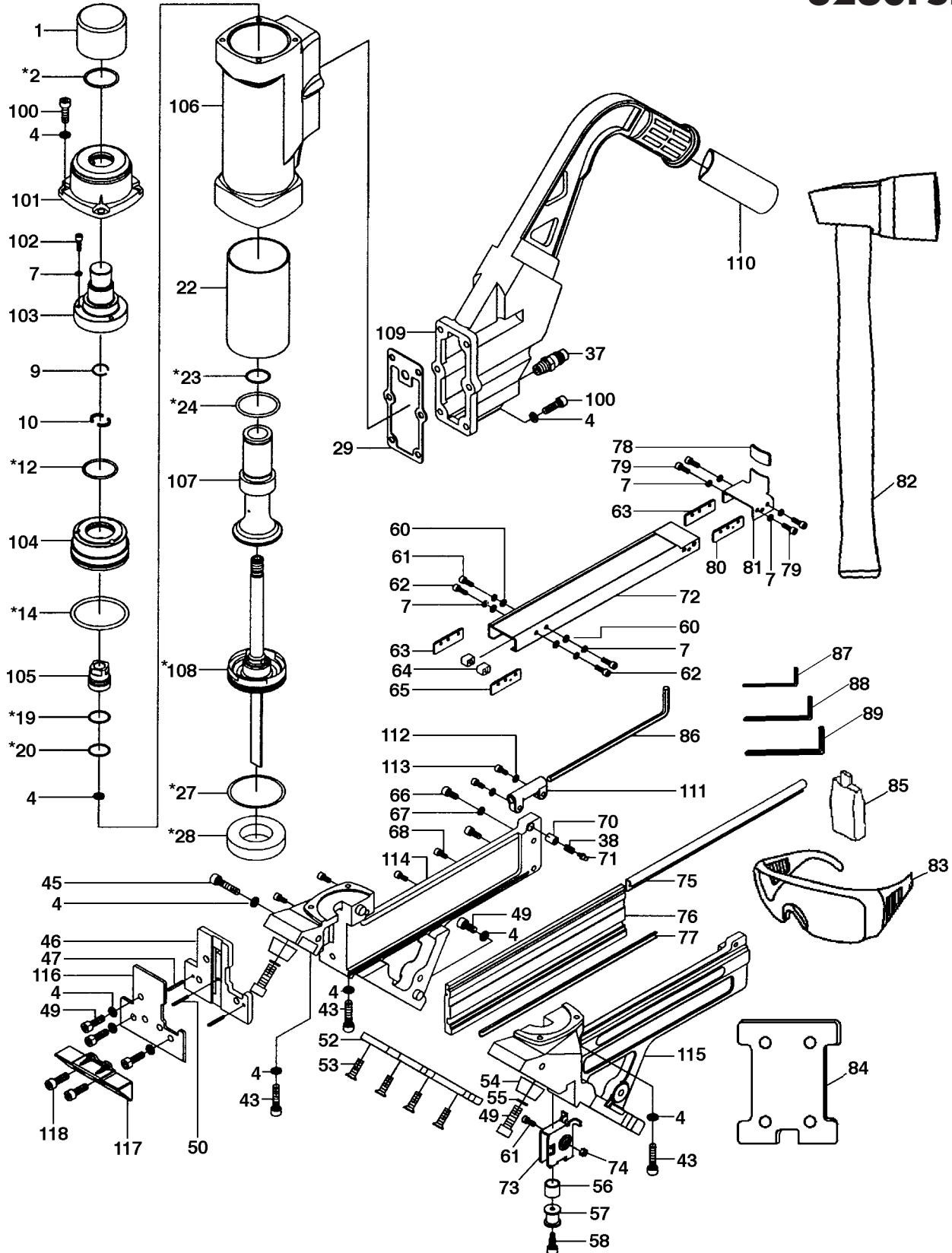
Service Manual / Manuel de Service

2 in 1 - 2" Flooring Stapler/Cleat Nailer Kit Ensemble de Crampeuse/Cloueuse à Plancher 2" - 2 en 1



Revised/Revisé 08/2008

8260FSN-2





Parts Pricing List / Liste de Prix des Pièces

8260FSN-2

Diag.	Order # Com.	English Description	Description Française	Qty./Qté.	Price/Prix
1	7482600010	IMPACT CAP	CAPUCHON A IMPACT	1	\$11.44
2	KW-097	BUMPER, DRIVER & O-RING REPL. KIT	TROUSSE DE REMPL. TIGE/AMOR./JOINT	1	-
4	7482600040	SPRING WASHER	RONDELLE A RESSORT	18	\$1.55
7	7482600070	SPRING WASHER	RONDELLE A RESSORT	11	\$1.55
9	7482600090	SNAP RING	ANNEAU DE RETENU	1	\$1.67
10	7482600100	HALF RING	DEMI-ANNEAU	2	\$1.78
12	KW-097	BUMPER, DRIVER & O-RING REPL. KIT	TROUSSE DE REMPL. TIGE/AMOR./JOINT	1	-
14	KW-097	BUMPER, DRIVER & O-RING REPL. KIT	TROUSSE DE REMPL. TIGE/AMOR./JOINT	2	-
19	KW-097	BUMPER, DRIVER & O-RING REPL. KIT	TROUSSE DE REMPL. TIGE/AMOR./JOINT	1	-
20	KW-097	BUMPER, DRIVER & O-RING REPL. KIT	TROUSSE DE REMPL. TIGE/AMOR./JOINT	1	-
22	7482600220	CYLINDER	CYLINDRE	1	\$34.44
23	KW-097	BUMPER, DRIVER & O-RING REPL. KIT	TROUSSE DE REMPL. TIGE/AMOR./JOINT	1	-
24	KW-097	BUMPER, DRIVER & O-RING REPL. KIT	TROUSSE DE REMPL. TIGE/AMOR./JOINT	1	-
27	KW-097	BUMPER, DRIVER & O-RING REPL. KIT	TROUSSE DE REMPL. TIGE/AMOR./JOINT	1	-
28	KW-097	BUMPER, DRIVER & O-RING REPL. KIT	TROUSSE DE REMPL. TIGE/AMOR./JOINT	1	-
29	7482600290	GASKET	JOINT D'ETANCHEITE	1	\$5.58
37	7482600370	MALE AIR CONNECTOR	CONNECTEUR A AIR MALE	1	\$4.89
38	7482600380	SPRING	RESSORT	2	\$2.24
43	7482600430	CAP SCREW	BOULON A TETE CYLINDRIQUE	4	\$2.82
45	7482600450	CAP SCREW	BOULON A TETE CYLINDRIQUE	1	\$3.05
46	7482600460	DRIVER PLATE	PLAQUE DE LA TIGE DE POUSSEE	1	\$17.19
47	7482600470	PIN	GOUPILLE	3	\$1.90
49	7482600490	CAP SCREW	BOULON A TETE CYLINDRIQUE	5	\$2.47
50	7482600500	PIN	GOUPILLE	3	\$1.67
52	7482600520	NON-MARRING BASE	BASE ANTI-EGRATIGNURES	1	\$10.29
53	7482600530	COUNTERSUNK SCREW	VIS A TETE FRAISEE	4	\$1.78
54	7482600540	PAD	COUSSINET	2	\$4.54
55	7482600550	WASHER	RONDELLE	2	\$1.55
56	7482600560	COIL SPRING	RESSORT TORSADE	1	\$11.44
57	7482600570	SPRING BRACKET	SUPPORT DE RESSORT	1	\$5.69
58	7482600580	SPECIAL CAP SCREW	BOULON A TETE CYLINDRIQUE SPEC.	1	\$3.39
60	7482600600	WASHER	RONDELLE	4	\$1.67
61	7482600610	CAP SCREW	BOULON A TETE CYLINDRIQUE	3	\$2.47
62	7482600620	CAP SCREW	BOULON A TETE CYLINDRIQUE	2	\$2.47
63	7482600630	PLATE	PLAQUE	2	\$3.28
64	7482600640	LIMIT NUT	ECROU DE LIMITE	2	\$2.59
65	7482600650	PLATE	PLAQUE	1	\$3.28
66	7482600660	CAP SCREW	BOULON A TETE CYLINDRIQUE	2	\$2.24
67	7482600670	SPRING WASHER	RONDELLE A RESSORT	2	\$1.55
68	7482600680	CAP SCREW	BOULON A TETE CYLINDRIQUE	4	\$2.13
70	7482600700	BUSHING	BAGUE	1	\$2.47
71	7482600710	PIN	GOUPILLE	1	\$2.59
72	7482600720	MOVABLE MAGAZINE	CHARGEUR MOBILE	1	\$28.69
73	7482600730	FEEDER	GUIDE	1	\$4.54
74	7482600740	HEX. NUT	ECROU HEXAGONAL	1	\$1.55
75	7482600750	RAIL	RAIL	1	\$6.84
76	7482600760	MAGAZINE PLATE	PLAQUE DU CHARGEUR	1	\$32.14

Pricing subject to change without prior notice. / Prix sujet à changement sans préavis.



Parts Pricing List / Liste de Prix des Pièces

8260FSN-2

Diag.	Order # Com.	English Description	Description Française	Qty./Qté.	Price/Prix
77	7482600770	RAIL	RAIL	1	\$6.61
78	7482600780	RUBBER HANDLE	POIGNEE EN CAOUTCHOUC	1	\$2.47
79	7482600790	CAP SCREW	BOULON A TETE CYLINDRIQUE	4	\$2.24
80	7482600800	STOP PLATE	PLAQUE D'ARRET	2	\$3.39
81	7482600810	PULL HANDLE	POIGNEE A TIRER	1	\$4.31
82	7482600820	RUBBER Mallet	MAILLET EN CAOUTCHOUC	1	\$45.94
83	7482600830	SAFETY GLASSES	LUNETTES DE SECURITE	1	\$22.71
84	7482600840	NON-MARRING BASE	BASE ANTI-EGRATIGNURE	1	\$9.95
85	7482600850	OIL BOTTLE	BOUTEILLE D'HUILE	1	\$4.31
86	7482600860	LONG HEX. KEY (5MM)	CLE HEXAGONALE LONGUE (5MM)	1	\$3.16
87	7482600870	HEX. KEY (3MM)	CLE HEXAGONALE (3MM)	1	\$2.59
88	7482600880	HEX. KEY (4MM)	CLE HEXAGONALE (4MM)	1	\$2.70
89	7482600890	HEX. KEY (5MM)	CLE HEXAGONALE (5MM)	1	\$2.82
100	7482601000	CAP SCREW	BOULON A TETE CYLINDRIQUE	11	\$2.70
101	7482601010	CYLINDER COVER	COUVERCLE DU CYLINDRE	1	\$14.89
102	7482601020	CAP SCREW	BOULON A TETE CYLINDRIQUE	3	\$2.19
103	7482601030	ACTUATOR PART A	ACTUATEUR PARTIE A	1	\$32.14
104	7482601040	ACTUATOR PART B	ACTUATEUR PARTIE B	1	\$28.69
105	7482601050	PLUNGER	PISTON	1	\$7.99
106	7482601060	BODY	BOITIER	1	\$114.94
107	7482601070	POPPET	SOUPAPE	1	\$63.19
108	KW-097	BUMPER, DRIVER & O-RING REPL. KIT	TROUSSE DE REMPL. TIGE/AMOR./JOINT	1	-
109	7482601090	ARM	BRAS	1	\$103.44
110	7482601100	RUBBER GRIP	POIGNEE EN CAOUTCHOUC	1	\$5.69
111	7482601110	HEX. KEY HOLDER	PORTE-CLE HEXAGONALE	1	\$4.54
112	7482601120	WASHER	RONDELLE	2	\$1.55
113	7482601130	CAP SCREW	BOULON A TETE CYLINDRIQUE	2	\$1.90
114	7482601140	MAGAZINE HOUSING (RIGHT SIDE)	BOITIER DU CHARGEUR (COTE DROIT)	1	\$63.19
115	7482601150	MAGAZINE HOUSING (LEFT SIDE)	BOITIER DU CHARGEUR (COTE GAU.)	1	\$63.19
116	7482601160	DRIVER GUIDE PLATE	PLAQUE DE GUIDE/TIGE DE PUSSEE	1	\$14.89
117	7482601170	PROTECTIVE BLOCK	BLOC PROTECTEUR	1	\$11.44
118	7482601180	CAP SCREW	BOULON A TETE CYLINDRIQUE	2	\$1.61
	748260MBI2	BILINGUAL MANUAL 8260FSN-2	MANUEL BILINGUE 8260FSN-2	1	\$15.00