

American Standard

Installation Instructions

2373.401 2373.421

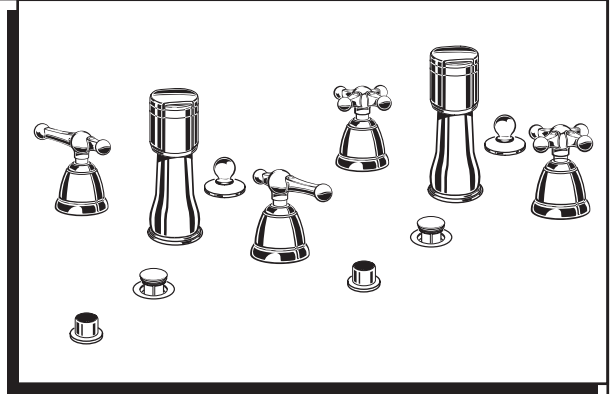
ENFIELD BIDET FITTING and VACUUM BREAKER with EverClean™ Finish

Congratulations on purchasing your American Standard faucet with EverClean finish found only on American Standard faucets.

EverClean Finish

- One wipe effortlessly removes spots
- Eliminates the need for cleaners and scrubbing
- Permanent surface protectant remains beautiful for the life of the faucet
- EverClean™ available on: Polished Chrome, Satin Nickel, Stainless Steel, Polished Brass (or any combination of these finishes)

To ensure that your installation proceeds smoothly-please read these instructions carefully before you begin.



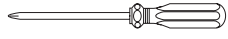
Certified to comply with ASME A112.18.1M
U.S. Patent No. 5,819,789

M968297 REV. 1.1

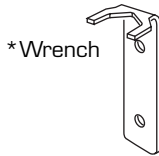
Required Tools



Flat Blade Screwdriver



Phillips Screwdriver



*Wrench

*Supplied with Fitting



Adjustable Wrench

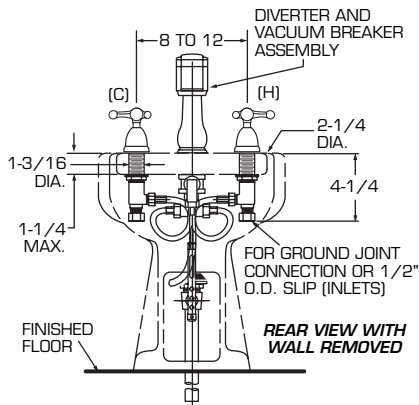
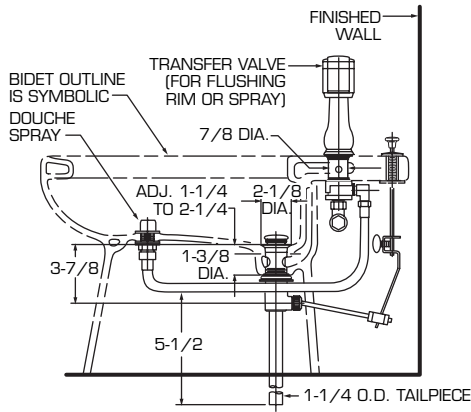


Channel Locks



Tubing Cutter

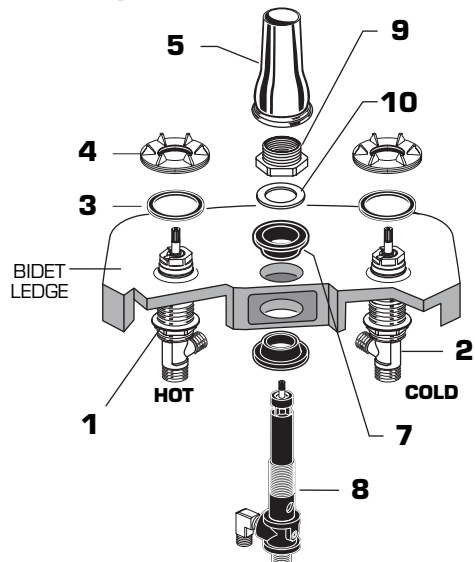
Roughing-in Dimensions



1 MOUNTING BIDET FAUCET

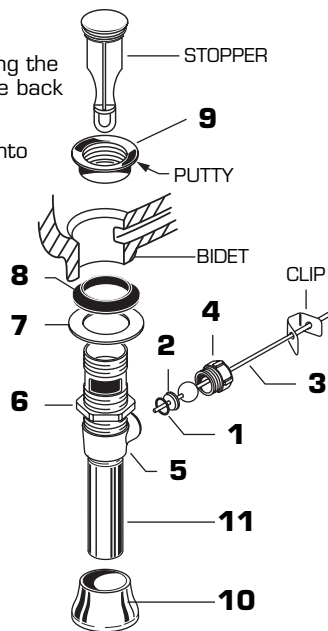
CAUTION Turn off hot and cold water supplies before beginning.

- Place MOUNTING NUTS (1) onto the VALVE BODIES (2) and insert VALVE BODIES (2) through outside holes, from underside of the BIDET LEDGE. Drop the RUBBER RING (3) over the VALVE BODIES (2) and thread DECK ADAPTER (4) onto VALVE BODIE (2) until it locks against the internal stop.
- Tighten the MOUNTING NUT (1) to secure the VALVE BODIES (2).
- Remove MOUNTING NUT (9), FRICTION RING (10) and UPPER GASKET (7) from TRANSFER VALVE (8) and insert TRANSFER VALVE (8) into the center forward hole of BIDET.
- Replace UPPER GASKET (7) and FRICTION RING (10). Position the side threaded outlet rearward and secure MOUNTING NUT (9). Thread ESCUTCHEON (5) onto TRANSFER VALVE (8) until it seats against the BIDET LEDGE.



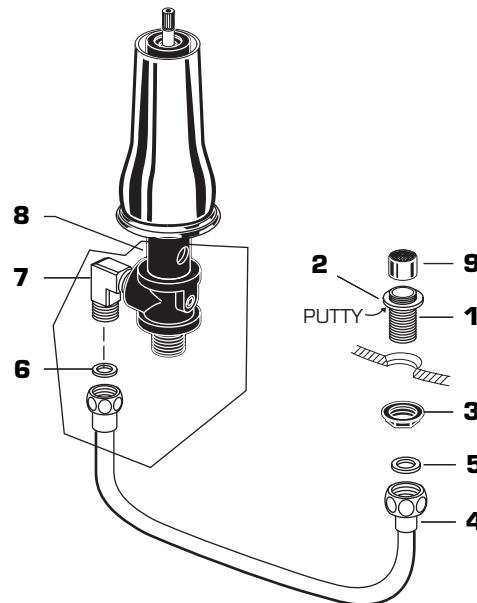
2 DRAIN INSTALLATION

- Assemble O-RING (1), WASHER (2), PIVOT ROD (3) and NUT (4) to DRAIN BODY (5). Concave side of cup WASHER (2) is toward ball.
- Thread LOCKNUT (6), WASHER (7) and GASKET (8) onto DRAIN BODY (5).
- Apply a bead of PUTTY to underside of FLANGE (9).
- Feed DRAIN BODY (5) up through BIDET and thread FLANGE (9) fully onto BODY (5).
- Tighten LOCKNUT (6) firmly, keeping the PIVOT ROD (3) pointed towards the back of the BIDET.
- Push DRAIN ESCUTCHEON (10) onto TAILPIECE (11).



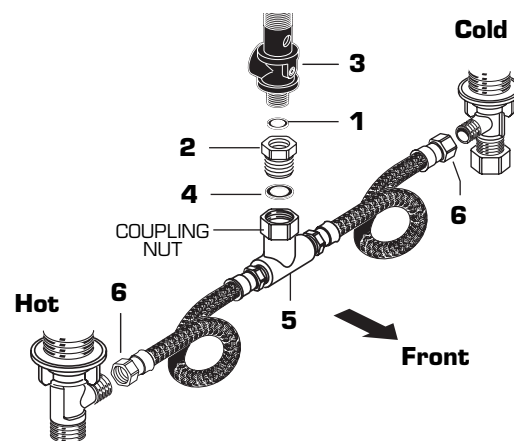
3 SPRAY INSTALLATION

- Assemble SPRAY BODY (1) to BIDET. Using putty, seal underside of SPRAY BODY FLANGE (2) and secure with NUT (3).
- Screw SPRAY HOSE (4) with SEAL WASHER (5) to SPRAY BODY (1). Connect other end of HOSE (4) with SEAL WASHER (6) to side outlet NIPPLE (7) of the TRANSFER VALVE (8).
- Screw SPRAY CAP (9) onto SPRAY BODY (1).



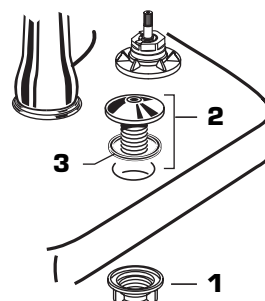
4 TEE AND HOSE CONNECTION

- Insert SEAL (1) into ADAPTER (2) and tighten ADAPTER (2) to bottom of TRANSFER VALVE (3).
- Install SEAL (4) into coupling nut of TEE (5) and tighten connection to ADAPTER (2).
- Connect HOSE COUPLING NUTS (6) to Hot and Cold valve bodies and securely tighten.



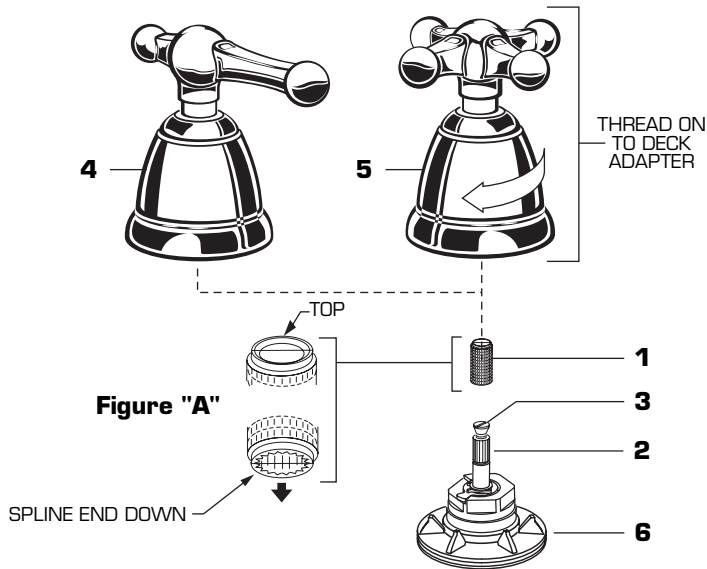
5 LIFT ROD GUIDE INSTALLATION

- Unscrew LIFT ROD NUT (1) from LIFT ROD GUIDE (2).
- Make sure SEAL (3) is seated into ESCUTCHEON of LIFT ROD GUIDE (2).
- Drop LIFT ROD GUIDE (2) into rear hole of bidet and from below secure with ROD GUIDE NUT (1).



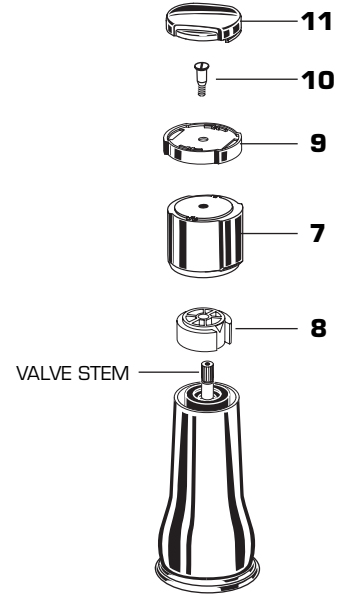
6 INSTALL HANDLES

- Push ADAPTER (1) on VALVE STEM (2), so that the hole of the ADAPTER (1) without a spline is facing up. See figure "A". Tighten STEM SCREW (3) to secure ADAPTER (1).
- Find correct position of LEVER HANDLE ASSEMBLY (4) or CROSS HANDLE ASSEMBLY (5) by adjusting male teeth on ADAPTER (1) to female teeth in HANDLE (4, 5).
- Thread LEVER HANDLE ASSEMBLY (4) or CROSS HANDLE ASSEMBLY (5) onto DECK ADAPTER (6) until snug against mounting surface.



DIVERTER KNOB:

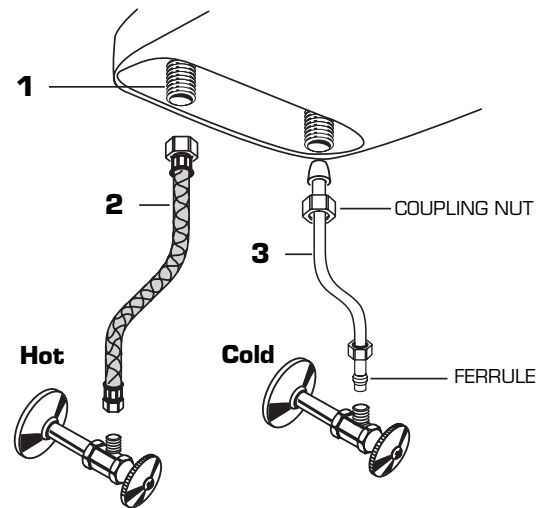
- Install HANDLE ADAPTER (8) onto valve stem.
- Push DIVERTER KNOB (7) onto HANDLE ADAPTER (8).
- Install RING (9) onto DIVERTER KNOB (7) and tighten with HANDLE SCREW (10).
- Press on KNOB CAP (11).



7 WATER SUPPLY CONNECTIONS

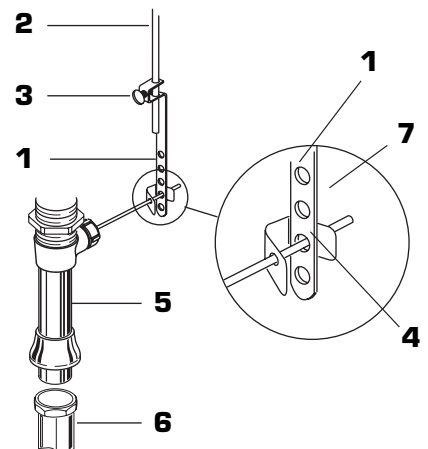
NOTE: FLEXIBLE SUPPLIES ARE NOT INCLUDED AND HAVE TO BE PURCHASED SEPARATELY.

- Connect water supplies to FAUCET (1) with 1/2" IPS FLEXIBLE SUPPLIES (2) or 3/8" O.D. BULL-NOSE RISERS (3). Use adjustable wrench to tighten connections.
- Do not over tighten. Be careful not to kink copper supply when bending. Use tubing cutter to cut to proper length.



8 FINISH DRAIN INSTALLATION

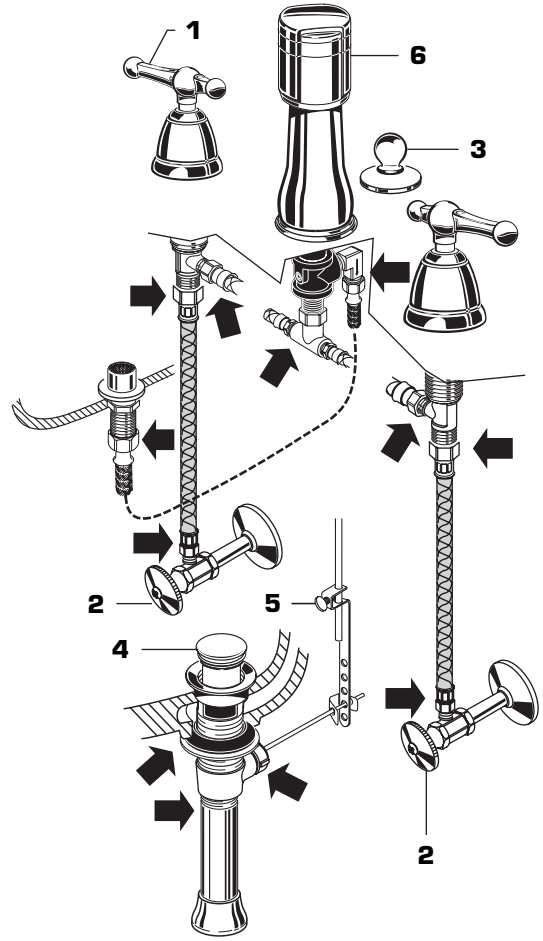
- Position BIDET fixture and secure to floor.
- Insert lift rod into lift rod guide.
- Position EXTENSION ROD (1) onto POP-UP ROD (2) and tighten THUMBSCREW (3).
- Remove one end of CLIP (4) from PIVOT ROD (7) by squeezing ends together while sliding.
- Insert PIVOT ROD (7) into second or third hole in EXTENSION ROD (1) and reassemble CLIP (4). (EXTENSION ROD (1) may need to be bent.)
- Adjust STOPPER height by repositioning EXTENSION ROD (1) and tightening THUMBSCREW (3).
- Using metal TAILPIECE (5), make connection to the TRAP (6).



9

TEST INSTALLED FITTING

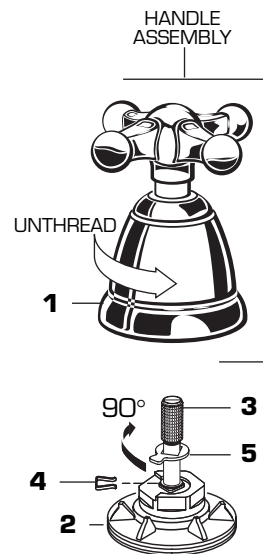
- With HANDLES (1) in OFF position, turn on WATER SUPPLIES (2) and check all connections for leaks. ➡
- Operate both handles to flush water lines thoroughly. Turn DIVERTER (6) to rim wash and bidet spray.
- Operate Lift Rod (3) and fill Bidet with water. Check that DRAIN STOPPER (4) makes a good seal and retains water in Bidet. Adjust stopper height by repositioning Lift Rod (3) and tightening Thumbscrew (5).
- Release DRAIN STOPPER (4) and check all drain connections for leaks. Tighten if necessary.



10

SERVICE

- To change direction of handle rotation, proceed as follows:
 - Turn valve to OFF position. Unthread HANDLE BASE (1) from DECK ADAPTER (2).
 - Pull HANDLE ASSEMBLY off VALVE STEM (3).
 - Remove SPRING CLIP (4). Lift STOP WASHER (5), turn 90° and replace. Replace SPRING CLIP (4).
 - Find correct position of HANDLE ASSEMBLY by adjusting male teeth on VALVE STEM (3) to female teeth in HANDLE.
 - Thread HANDLE ASSEMBLY onto DECK ADAPTER (2) until snug against mounting surface.



TO CLEAN SPRAY

- SPRAY (6) may accumulate dirt causing distorted and reduced water flow. Unscrew and remove SPRAY (6) and rinse clean.
- Replace SPRAY (6) and operate handles several times from OFF to ON position. Do not force, handles turn only 90°.



11

EverClean™ Finish Care Instructions

American Standard's EverClean finish will wipe clean with a soft, dry cloth. A soft cloth with clean water may also be used, if desired. No additional cleaning products are required.

DO NOT USE: Soaps, acid, polish, abrasives, harsh cleaners, or a cloth with a coarse surface.