

American Standard

Williamsburg™ DECK-MOUNT BATH FILLER

Installation Instructions

2900.SERIES
2800.SERIES



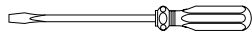
Certified to comply with ANSI A112.18.1M

US60359E

Thank you for selecting American-Standard...the benchmark of fine quality for over 100 years.

To ensure that your installation proceeds smoothly—please read these instructions carefully before you begin.

Required Tools



Flat Blade Screwdriver



Adjustable Wrench

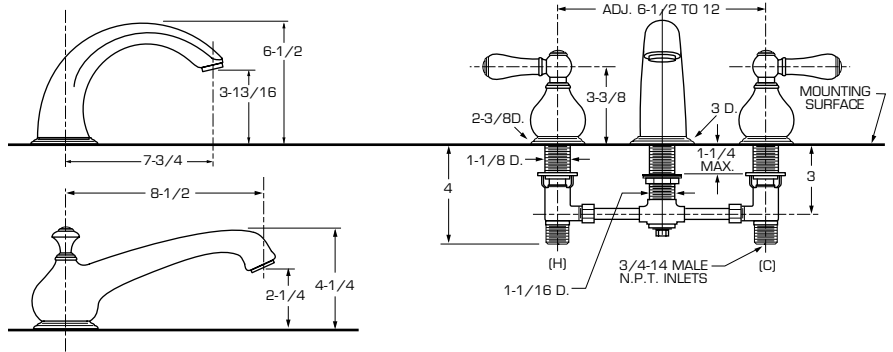


Channel Locks



*Hex key
*Supplied with Fitting

ROUGHING-IN DIMENSIONS

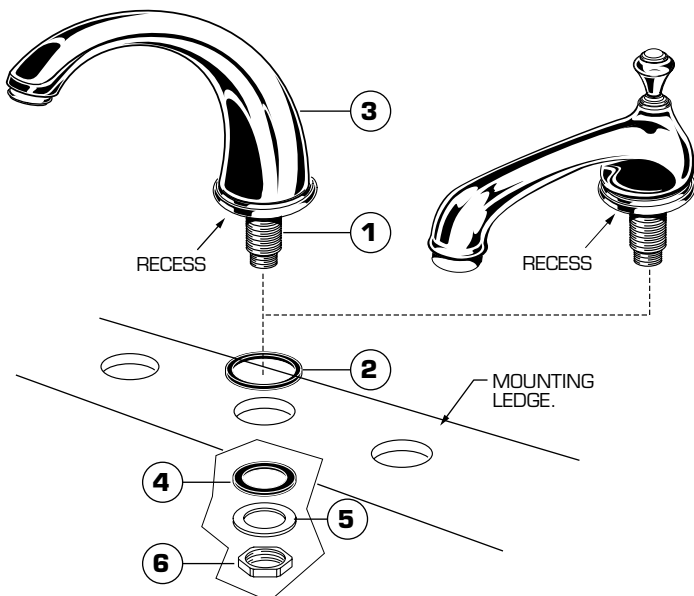


1 SPOUT ASSEMBLY

CAUTION

Turn off hot and cold water supplies before beginning.

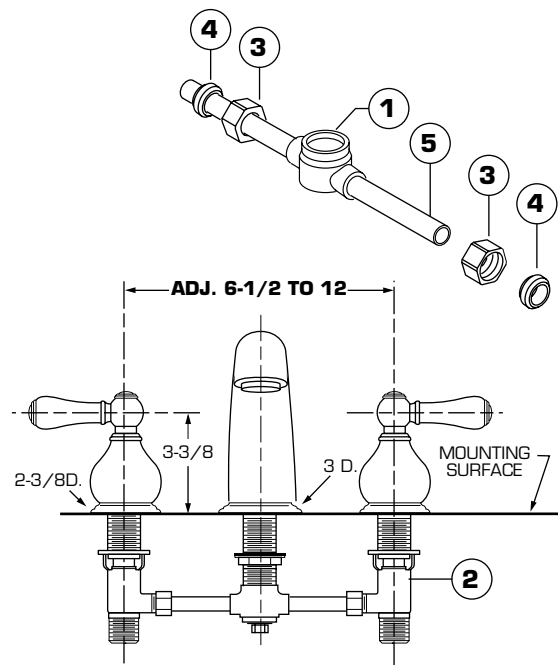
- Insert SPOUT SHANK (1) through center hole of MOUNTING LEDGE. Make sure that the RUBBER RING (2) is properly seated in RECESS at base of SPOUT (3).
- Assemble RUBBER WASHER (4) and BRASS WASHER (5) onto SHANK (1). From underside of ledge secure SPOUT (3) into position with LOCKNUT (6).



2

PREPARE TUBE AND TEE ASSEMBLY

- Prepare TUBE and TEE ASSEMBLY (1) to fit center to center VALVE (2) location (between 6-1/2" and 12"). If necessary, cut and/or bend TUBING carefully. Make sure tube bend is close to the TEE (1) so that it will not effect the compression joint at the VALVE CONNECTION.
- Remove COUPLING NUT (3) and FERRULE (4) from each VALVE (2) and slide onto TUBING (5).

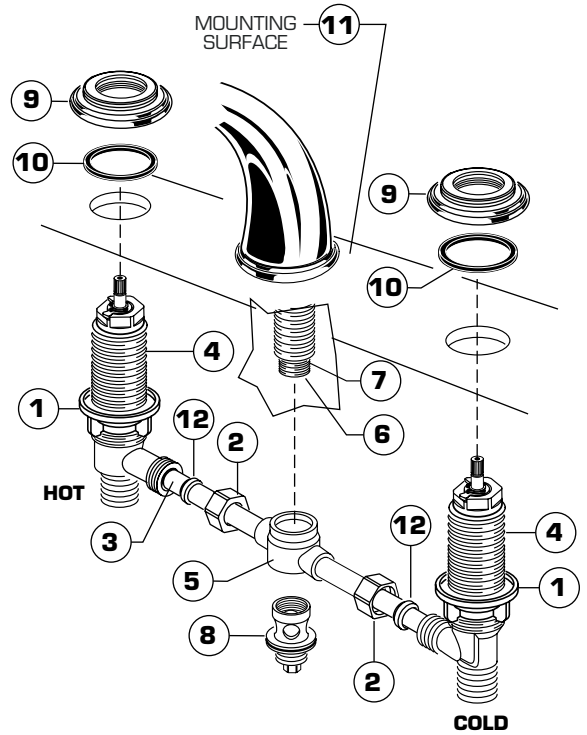
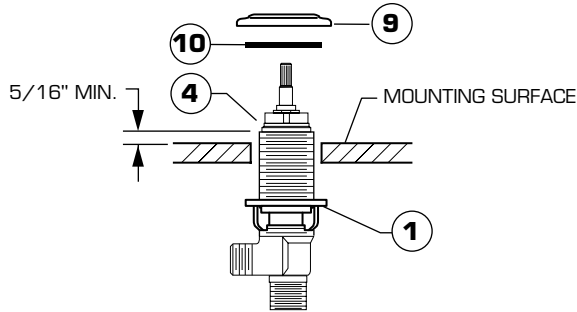


NOTE VALVE inlet is 3/4-inch NPT male connector.

3

VALVE ASSEMBLY

- Install MOUNTING NUT (1) onto valve shanks.
- Push TUBING (3) ends into VALVE (4) side outlets. Insert VALVES (4) into mounting holes from underside of ledge.
- Push COUPLING (8) into TEE (5). Press TEE (5) onto SPOUT SHANK (6) making certain that the O-RING (7) is properly seated on SHANK (6). Thread COUPLING (8) firmly onto SPOUT SHANK (6).
- Threads of VALVE BODY (4) should extend at least 5/16 inch above MOUNTING SURFACE (11). If necessary, adjust MOUNTING NUT (1).
- Place RUBBER RING (10) into ESCUTCHEON ADAPTERS (9) and thread onto valves until snug against internal stop.
- Tighten MOUNTING NUT (1) to secure VALVE (4) position.
- Slide FERRULE (12) and COUPLING NUT (2) to outlet of VALVE (4) and tighten COUPLING NUT (2) firmly.
- Connect HOT water supply to inlet of left VALVE and COLD water supply to inlet of right VALVE using appropriate connector.

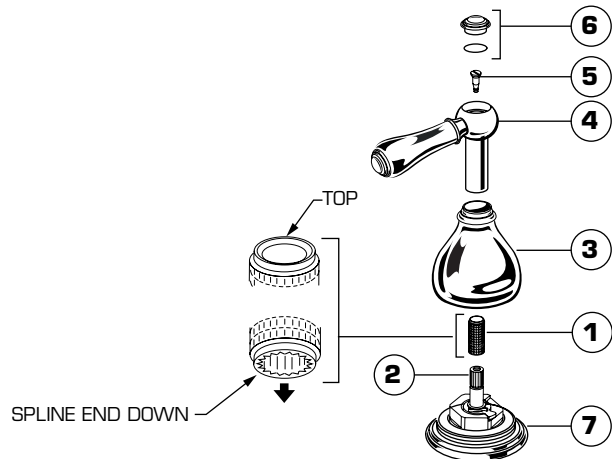


4

INSTALL HANDLES

- Push ADAPTER (1) on VALVE STEM (2), so that the hole of the ADAPTER (1) without spline is facing up. See figure "A".
- Thread HANDLE BASE (3) onto VALVE ESCUTCHEON (7)
- Push LEVER BALL (4) onto ADAPTER (1).
- Find correct position of HANDLE (4) by adjusting male teeth on ADAPTER (1) to female teeth in LEVER BALL (4).
- Secure LEVER BALL (4) with HANDLE SCREW (5).
- Push INDEX CAP (6) in hole of LEVER BALL (4).

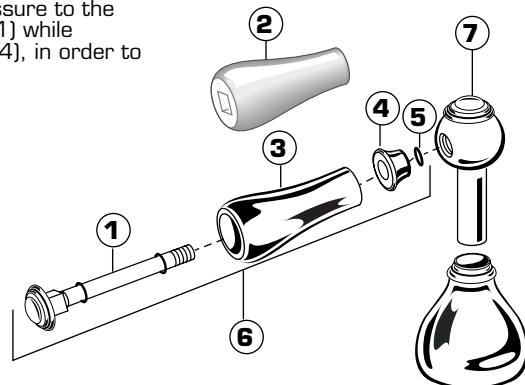
Figure "A"



5

INSTALLATION OF OPTIONAL METAL LEVER HANDLES (Supplied with Faucet)

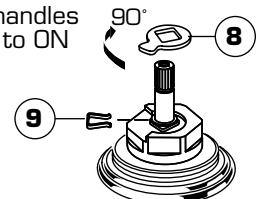
- Thread PORCELAIN LEVER HANDLE (2) counter-clockwise and remove INDEX BUTTON with MOUNTING ROD ASSEMBLY (1), HANDLE COLLAR (4) and O-RING (5).
- Insert MOUNTING ROD ASSEMBLY (1) into METAL HANDLE (3), HANDLE COLLAR (4) and O-RING (5).
- Thread HANDLE ASSEMBLY (6) into ball of HANDLE BASE (7). Apply pressure to the MOUNTING ROD ASSEMBLY (1) while turning the HANDLE COLLAR (4), in order to tighten firmly.



6

SERVICE

- To change direction of handle rotation, proceed as follows:
 - Turn valve to OFF position.
 - Pull out INDEX CAP (6) and remove HANDLE SCREW (5).
 - Pull off HANDLE (4) and unscrew porcelain ESCUTCHEON BASE (3).
 - Remove ADAPTER (1) and SPRING CLIP (9).
 - Lift STOP WASHER (8), turn 90° and replace.
 - Replace SPRING CLIP (9).
 - Reinstall ESCUTCHEON (3) and HANDLE ASSEMBLY.
- If spout drips, operate handles several times from OFF to ON position. Do not force - handles turn only 90°.



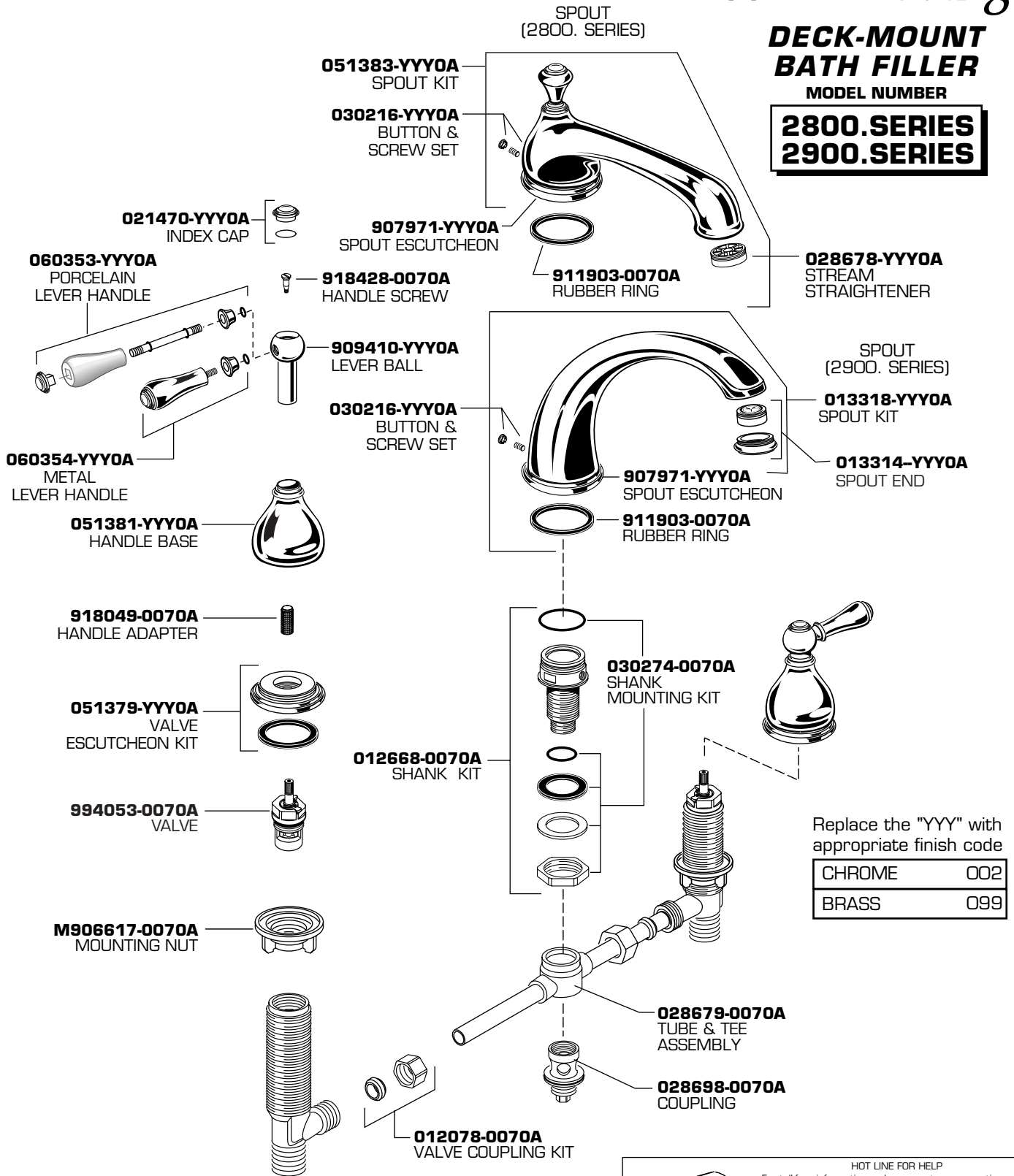
American Standard

Williamsburg™

**DECK-MOUNT
BATH FILLER**

MODEL NUMBER

**2800.SERIES
2900.SERIES**



Replace the "YYY" with appropriate finish code

CHROME	002
BRASS	099

US60359E

HOT LINE FOR HELP
For toll-free information and answers to your questions, call:
1-800-442-1902
Weekdays 8:00 a.m. to 8:00 p.m. EST
IN CANADA 1-800-387-0369 (TORONTO 1-905-306-1093)
Weekdays 8:00 a.m. to 7:00 p.m. EST
IN MEXICO 01-800-839-12-00
Product names listed herein are trademarks of American Standard Inc.
© American Standard Inc. 2004

CARE INSTRUCTIONS:

DO: SIMPLY RINSE THE PRODUCT CLEAN WITH CLEAR WATER. DRY WITH A SOFT COTTON FLANNEL CLOTH.
DO NOT: CLEAN THE PRODUCT WITH SOAPS, ACID, POLISH, ABRASIVES, HARSH CLEANERS, OR A CLOTH WITH A COARSE SURFACE.