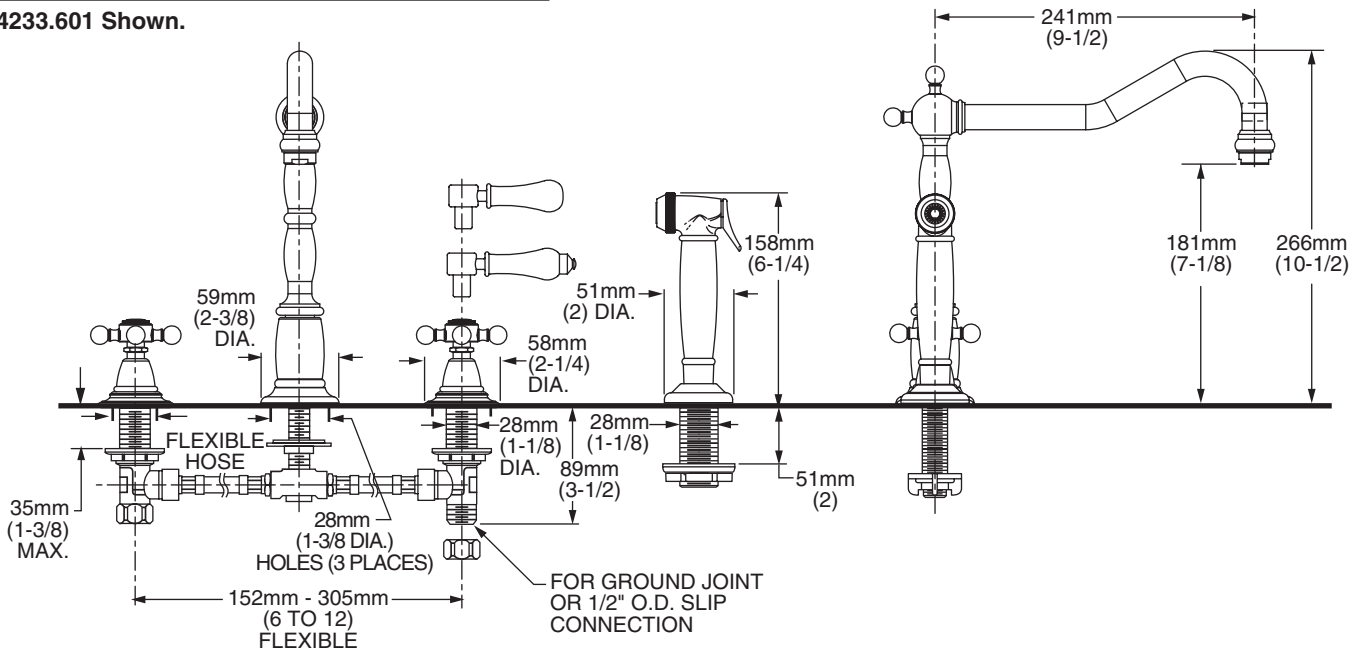


4233.601 Shown.

MODEL NUMBER:

- 4233.601 Bottom-Mount Kitchen Faucet**
 Metal color-matched handspray. Metal cross handles.
- 4233.611 Bottom-Mount Kitchen Faucet**
 Metal color-matched handspray. Porcelain lever handles.
- 4233.621 Bottom-Mount Kitchen Faucet**
 Metal color-matched handspray. Metal lever handles.



GENERAL DESCRIPTION:

Durable brass construction. 1/4 turn washerless ceramic disc valve cartridges - reversible for use with either lever or cross handles. 241mm (9-1/2") Brass swivel spout, brass handles and color - matched metal hand spray. One-half inch male inlets with brass coupling nuts. Pressure compensating aerator with 2.2 gpm/8.3 L/min. maximum flow rate. Cap provided for non-spray application.

PRODUCT FEATURES:

- Ceramic Disc Valve Cartridges:** Assures smooth, precise valve control and a lifetime of drip-free performance.
- Brass Construction and Cast Brass Waterway:** Durable - Excellent in high use applications. Ideal for prolonged contact with water.
- Larger Spout:** Increased spout height and reach.
- Low Lead:** Meets NSF Standard 61/Section 9 & Prop 65 lead requirements.
- Choice of Finishes:** Available in a wide range of durable finishes.

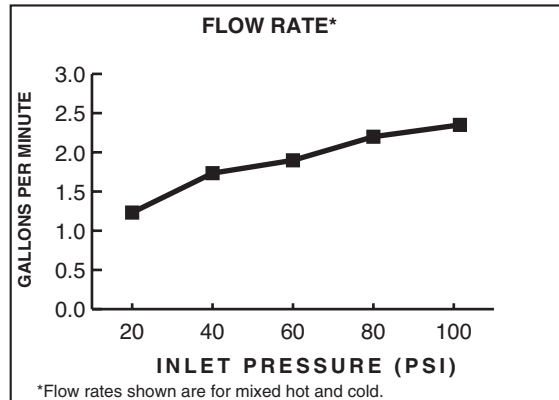
SUGGESTED SPECIFICATION:



Two handle bottom-mount kitchen faucet shall feature brass construction with all brass inlets and coupling nuts. 241mm (9-2") Brass swivel spout. Shall also feature 1/4 turn washerless ceramic disc valve cartridges that are reversible for use with cross or lever handles. Faucet shall be American Standard Model # _____.

CODES AND STANDARDS


These products meet or exceed the following codes and standards:

- ASME A112.18.1**
- CSA B 125**
- NSF 61/Section 9**



Product Number	Description	Finish Options*			
		Polished Chrome	PVD Blackened Bronze	PVD Polished Brass	PVD Satin Nickel
		002	068	099	295
4233.601	Kitchen faucet. Handspray. Metal cross handles.				
 4233.611	Kitchen faucet. Handspray. Porcelain lever handles.				
 4233.621	Kitchen faucet. Handspray. Metal lever handles.				

N/A = NOT AVAILABLE

 Meets the American Disabilities Act Guidelines and **ANSI A117.1** Requirements for the physically challenged.

***EverClean™ Finish:**

- Offered on Polished Chrome (002), Polished Brass (099) and Satin Nickel (295).
- One wipe effortlessly removes spots.
- Eliminates the need for cleaners and scrubbing.