

American Standard

# Culinaire™

## SINGLE CONTROL KITCHEN FAUCET AND CAST SPOUT

with EverClean™ Finish

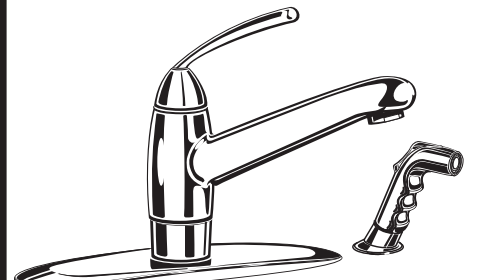
Congratulations on purchasing your American Standard faucet with EverClean finish found only on American Standard faucets.

### EverClean Finish

- One wipe effortlessly removes spots
- Eliminates the need for cleaners and scrubbing
- Permanent surface protectant remains beautiful for the life of the faucet
- EverClean™ available on: Polished Chrome, Satin Nickel, Stainless Steel, Polished Brass (or any combination of these finishes)

To ensure that your installation proceeds smoothly-please read these instructions carefully before you begin.

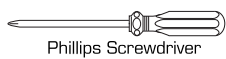
## Installation Instructions 4137.001



Certified to comply with ANSI A112.18.1M

M968238 REV. 1.1

### TOOLS REQUIRED



Phillips Screwdriver



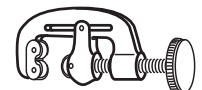
Channel Locks



Adjustable Wrench



Plumbers' Putty or Caulking

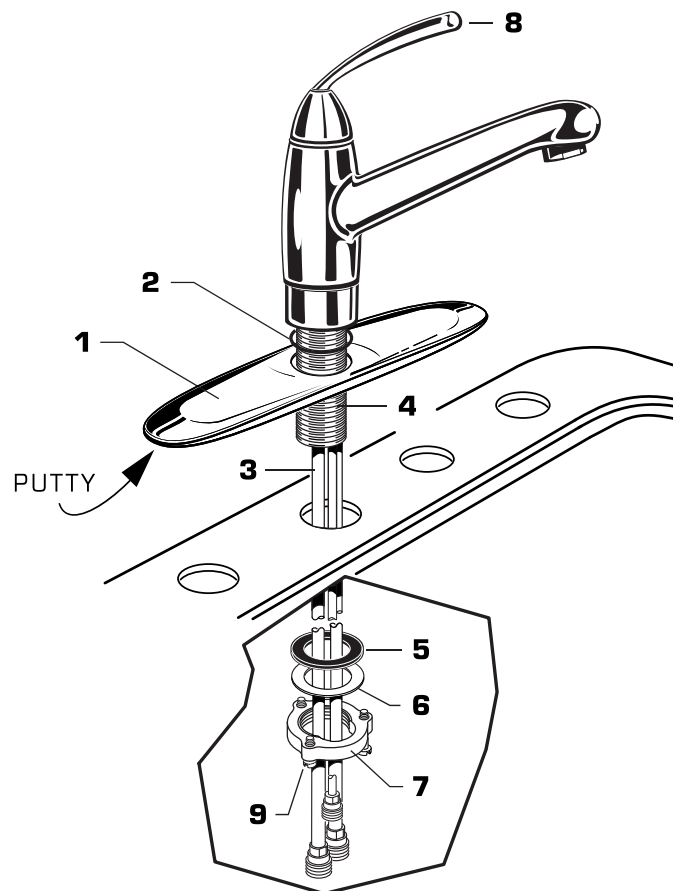


Tubing Cutter

## 1 INSTALL FITTING WITH OR WITHOUT DECK ESCUTCHEON

**CAUTION** Turn off hot and cold water supplies before beginning.

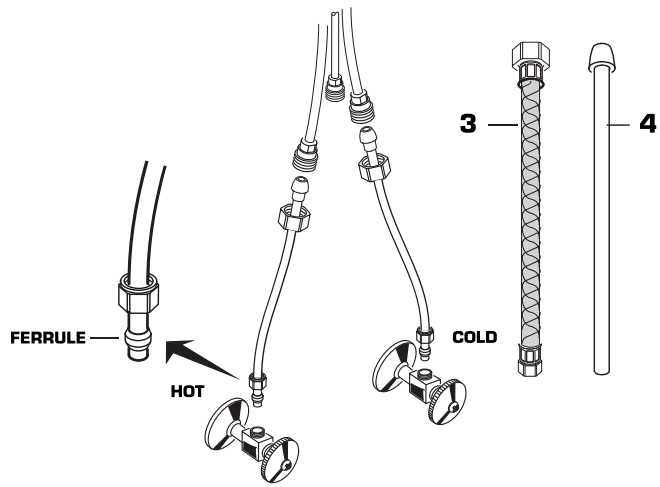
- Apply a bead of putty to bottom edge of ESCUTCHEON (1). **Note:** Installation of ESCUTCHEON (1) is optional.
- Make certain the large O-RING (2) is properly seated in recess of faucet body.
- Insert supply TUBES (3) and SHANK (4) through center hole of ESCUTCHEON (1) (if used) and sink.
- Assemble RUBBER WASHER (5), BRASS WASHER (6), and threaded LOCKNUT (7) onto SHANK (4) from underside of sink. Hand tighten LOCKNUT (7) and check that rotation of HANDLE (8) from HOT to COLD is centered. Use a screwdriver to tighten the SCREWS (9) on LOCKNUT (7). Work your way around LOCKNUT (7), tightening the screws slightly each time until all are snug to ensure even pressure.



## 2 MAKE WATER SUPPLY CONNECTIONS

**NOTE: FLEXIBLE SUPPLIES HAVE TO BE PURCHASED SEPARATELY**

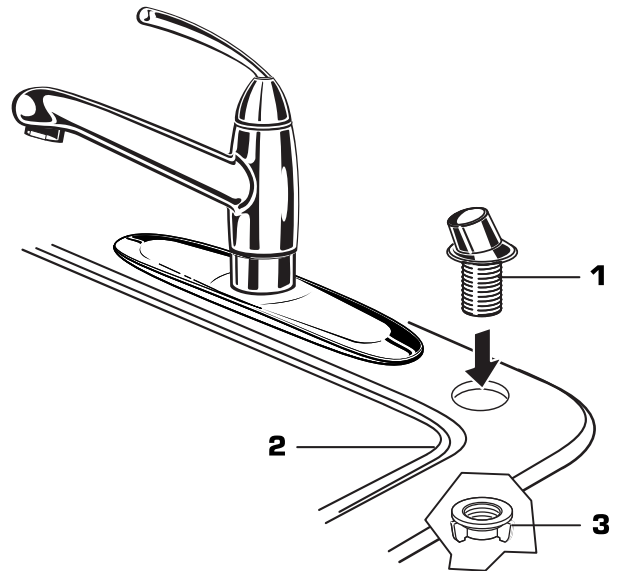
- Carefully bend COPPER SUPPLIES to meet water supply lines using the palms of the hands to avoid kinking.
- Connect HOT water supply line to left tube, and COLD water supply line to right tube using appropriate connectors.
- Use 1/2" IPS FLEXIBLE SUPPLIES (3) or 3/8" O.D. BULL-NOSE RISERS (4). Use adjustable wrench to tighten connections. Do not over tighten. Be careful not to kink copper supply when bending. Use tubing cutter to cut to proper length.



## 3 INSTALL SPRAY HOLDER

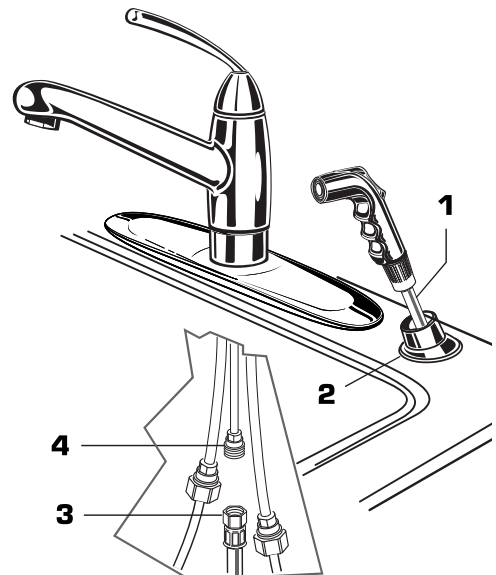
**Note: For installation less hand spray see step 4a.**

- Place SPRAY HOLDER (1) into separate hole of SINK (2).
- Assemble the SPRAY HOLDER WING NUT (3) onto the shank of SPRAY HOLDER (1) from below and tighten. **Do not use putty.**



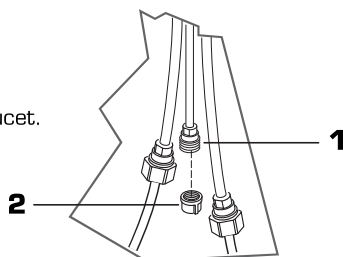
## 4 CONNECT HOSE SPRAY

- Feed SPRAY HOSE (1) through SPRAY HOLDER (2) and attach COUPLING NUT (3) of HOSE (1) to HOSE ADAPTOR (4) on valve body. Tighten COUPLING NUT (3) firmly.



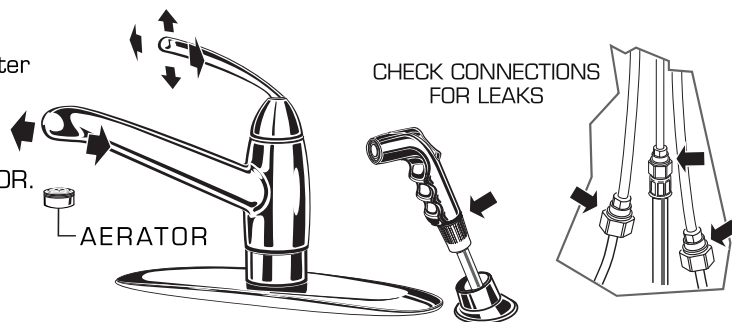
### 4a CAP HOSE ADAPTER

- Cap HOSE ADAPTER (1) with PIPE CAP (2) supplied with faucet.



## 5 TEST INSTALLED FAUCET

- Move HANDLE down into "off" position and remove AERATOR.
- Turn on water supplies and check connections for leaks.
- Operate HANDLE up and down, left and right to flush water lines thoroughly.
- For faucet with spray, direct SPRAY HEAD into sink and activate SPRAY. Check hose connections for leaks.
- Move HANDLE down to "off" position and replace AERATOR.



## 6 SERVICE

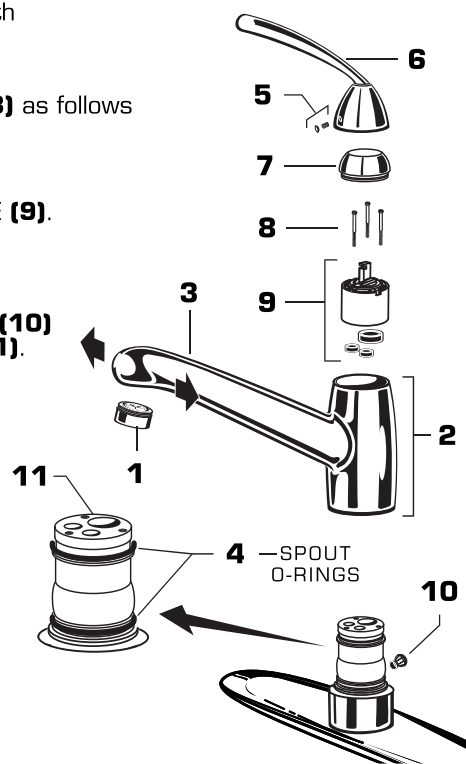
**Reduced flow.** If the flow should gradually be reduced over a number of months, the AERATOR may have debris in it. To clean, remove AERATOR (1) and rinse with water to remove any debris. Turn on faucet to wash any debris out of the faucet. Screw AERATOR (1) back to the spout. Operate faucet.

- **Spout leakage.** If fitting leaks above or below SPOUT HUB (2) remove SPOUT (3) as follows and check SPOUT O-RINGS (4).

- Remove BUTTON (5) and loosen SET SCREW (5) and pull HANDLE (6) off.
- Pull off CAP (7) and loosen CARTRIDGE SCREWS (8) and remove CARTRIDGE (9).
- Remove SPOUT (3) by pulling up gently while moving SPOUT (3) side to side.
- Check both SPOUT O-RINGS (4). Replace if necessary.
- On models with SPRAYS, DIVERTER (10) can be cleaned by pulling DIVERTER (10) out of the MANIFOLD (11) and then clean DIVERTER (10) and MANIFOLD (11). Push DIVERTER (10) back into MANIFOLD (11).
- Reverse procedure to reinstall SPOUT (3), CARTRIDGE (9) and HANDLE (6).

- **Clogged CARTRIDGE outlets or inlets may cause reduced flow.** To clean, first turn off water supply then:

- Loosen HANDLE SCREW (5) and remove HANDLE (6).
- Remove ESCUTCHEON CAP (7). unscrew the three CARTRIDGE SCREWS (8).
- Clean inlets of CARTRIDGE (9) and MANIFOLD (11).
- Reassemble CARTRIDGE (9), alternately tightening SCREWS (8). Replace CAP (7) and HANDLE (6) check flow.



## 7 EverClean™ Finish Care Instructions

American Standard's EverClean finish will wipe clean with a soft, dry cloth. A soft cloth with clean water may also be used, if desired. No additional cleaning products are required.

**DO NOT USE:** Soaps, acid, polish, abrasives, harsh cleaners, or a cloth with a coarse surface.