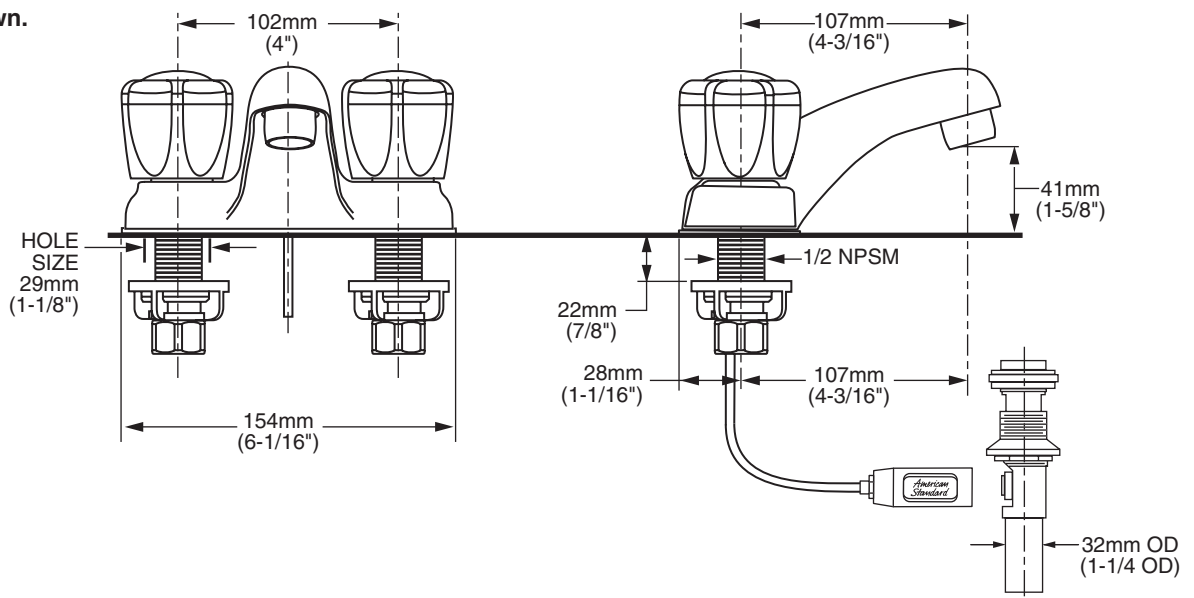


2275.400 Shown.



**GENERAL DESCRIPTION:**

Centerset lavatory faucet on 4" centers. 1/4 turn washerless ceramic disc valve cartridges. Durable cast brass waterways with one-half inch male inlet shanks. Metal body. 20" (500mm) long flexible stainless steel drain cable is pre-assembled to faucet body. Metal Speed Connect™ drain body with 1-1/4 inch (32mm) tail piece, (2275.409). Non-Metallic Speed Connect™ drain body with 1-1/4 inch (32mm) tail piece, (2275.403). 2.2 gpm/8.3L/min. maximum flow rate. Clear Acrylic Handles are faceted on the inside.

**PRODUCT FEATURES:**

**Cast Brass Waterways with "City Shanks":** Strong and durable. Integral tabs on casting provide a wobble-free installation.

**Ceramic Disc Valve Cartridges:** Assures a lifetime of smooth handle operation and drip-free performance. Reversible for use on either "hot" or "cold" side.

**Low Lead:** Meets NSF Standard 61/Section 9 & Prop 65 lead requirements.

**Speed Connect™ Drain:**

- Fewer parts. Installs in less time.
- No adjustments required - seals the first time, every time.
- Flexible stainless steel cable - installs effortlessly in tight spaces.

**Longer Spout:** Provides extended reach into lavatory.

**Simple Installation:** Fast and easy one person installation. Faucet drops in from top. Quick spin nuts secure faucet in place.

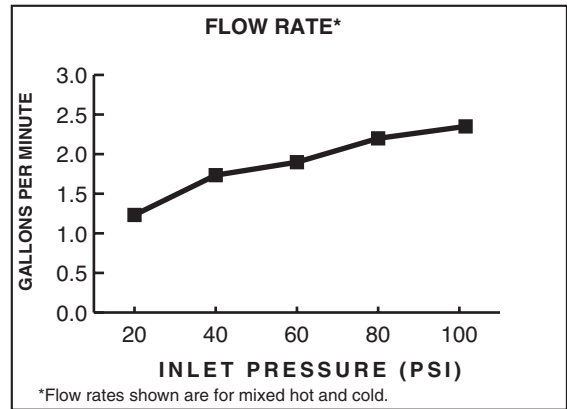
**SUGGESTED SPECIFICATION:**

Two-handle 4" centerset lavatory faucet shall feature a cast brass waterway. Shall also feature 1/4 turn washerless ceramic disc valve cartridges. Shall also feature a drain body with stainless steel cable actuation. Fitting shall be American Standard Model # 2275.40\_\_\_\_.

**CODES AND STANDARDS**

These products meet or exceed the following codes and standards:

- ASME A112.18.1**
- CSA B125**
- NSF 61/Section 9**



Product Number	Description	Finish Options
		Polished Chrome
		002
2275.403	Centerset lavatory. Clear Acrylic Handles. Non-metallic Speed Connect™ Pop-up drain.	
2275.409	Centerset lavatory. Clear Acrylic Handles. Metal Speed Connect™ Pop-up drain.	